

EX185W-AA2X

18.5 inch ELITE PI® PRO "WIDE"



ELITE PI® PRO

18.5 inch Elite PI® PRO
"WIDE"

The MICRO COMM® Elite PI® PRO is the most flexible position indicator available. With the Elite PI® Designer software, you can PROgram your own position indicator by customizing background colors and logos, messages, and arrow styles. This system offers full network support with our ENET, giving you the ability to PROgram the screen from any computer in the building. In addition to design flexibility, the MICRO COMM® Elite PI® PRO can display floor, priority, and time-based messages.

TYPICAL APPLICATIONS:

- > Car operating panel
- > Car transom
- > Lobby

FEATURES:

- > Fully customizable and PROgrammable
- > Elite PI® software
- > Streaming video capabilities with an HDINT video encoder
- > Passing chime output
- > Self testing
- > Low profile
- > Multi-car capabilities for hallway use
- > MICRO COMM serial link input
- > HD @720P



C.E. Electronics, Inc. (US) 2107 Industrial Drive, Bryan, Ohio 43506 p: 419.636.6705 www.cееlectronics.com

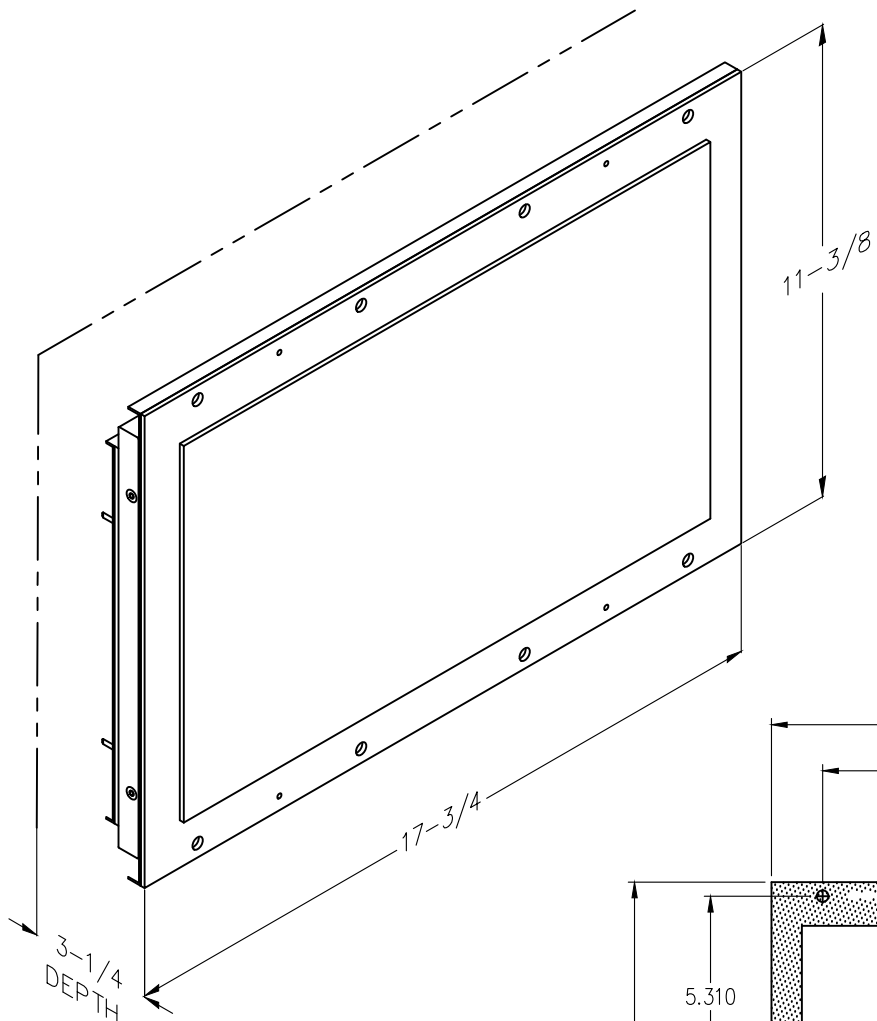
C.E. Electronics, Ltd. (UK) P.O. Box 1679 Marlow, Bucks SL7 3ZG, UK p: +44 (0) 1628 487633 www.cееlectronics.co.uk



EX185W-AA2X

Ver. 3 Rel. 09/05/2024

ELITE PI[®]
 PRO



18.5 INCH Elite PI[®] PRO "WIDE"

The MICRO COMM[®] Elite PI[®] PRO is the most flexible position indicator available. With the Elite PI[®] Designer software, you can PROgram your own position indicator by customizing background colors and logos, messages, and arrow styles. This system offers full network support with our ENET, giving you the ability to PROgram the screen from any computer in the building.

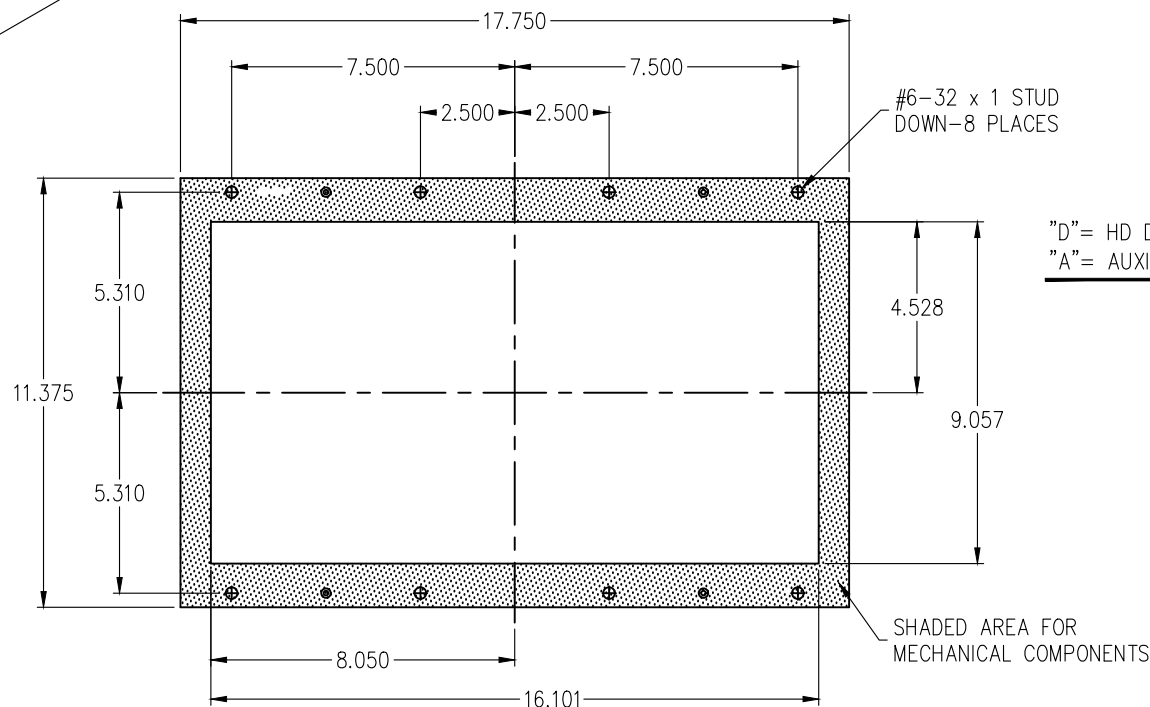
In addition to design flexibility, the MICRO COMM[®] Elite PI[®] PRO can display floor, priority, and time-based messages.

Typical Applications

- Car operating panel
- Car transom
- Lobby

Features:

- Fully customizable and PROgrammable
- Elite PI[®] software
- Streaming video capabilities with an HDINT video encoder
- Passing chime output
- Self-testing
- Low profile
- Multi-car capabilities for hallway use
- HD @720P

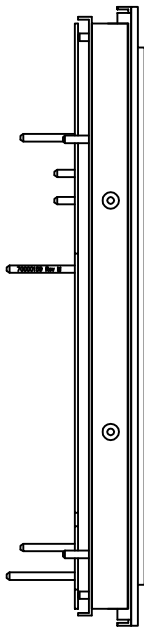
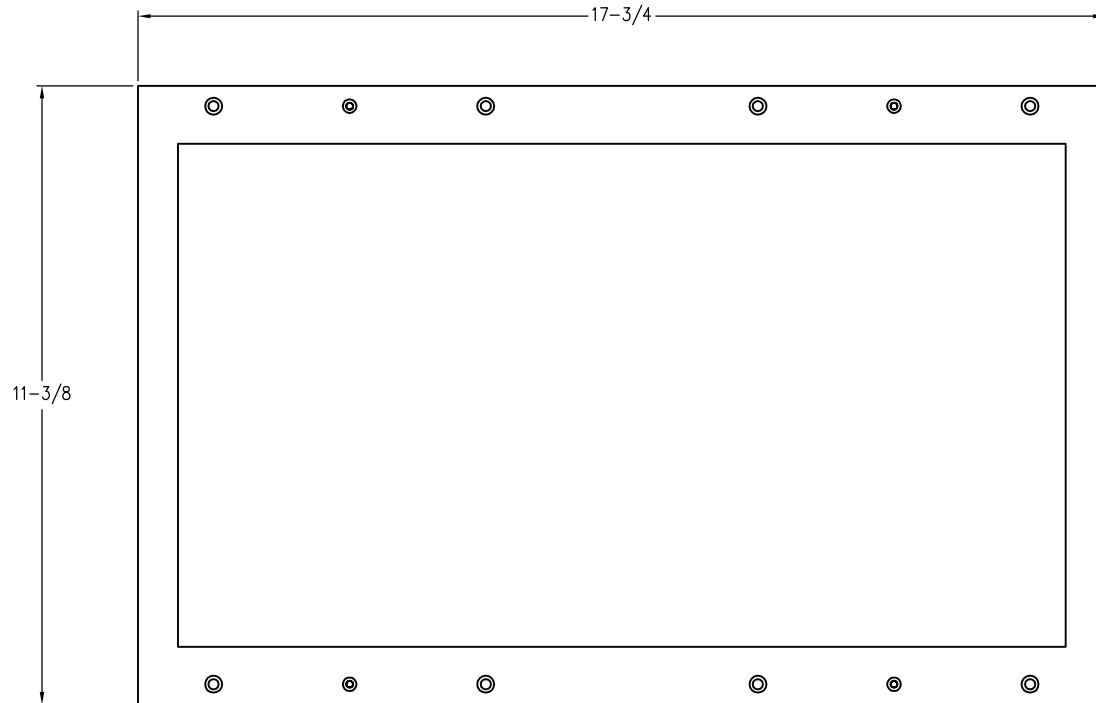
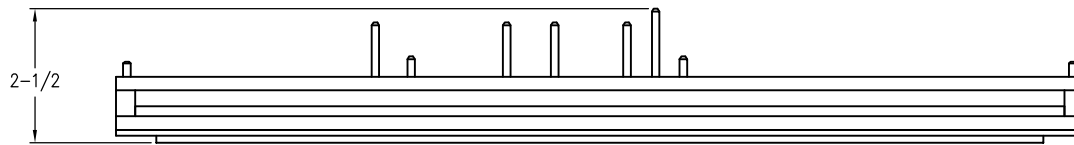


TO ORDER- EX185W-AA2X


"D"= HD DIGITAL SCREEN
 "A"= AUXILIARY PANEL LINK

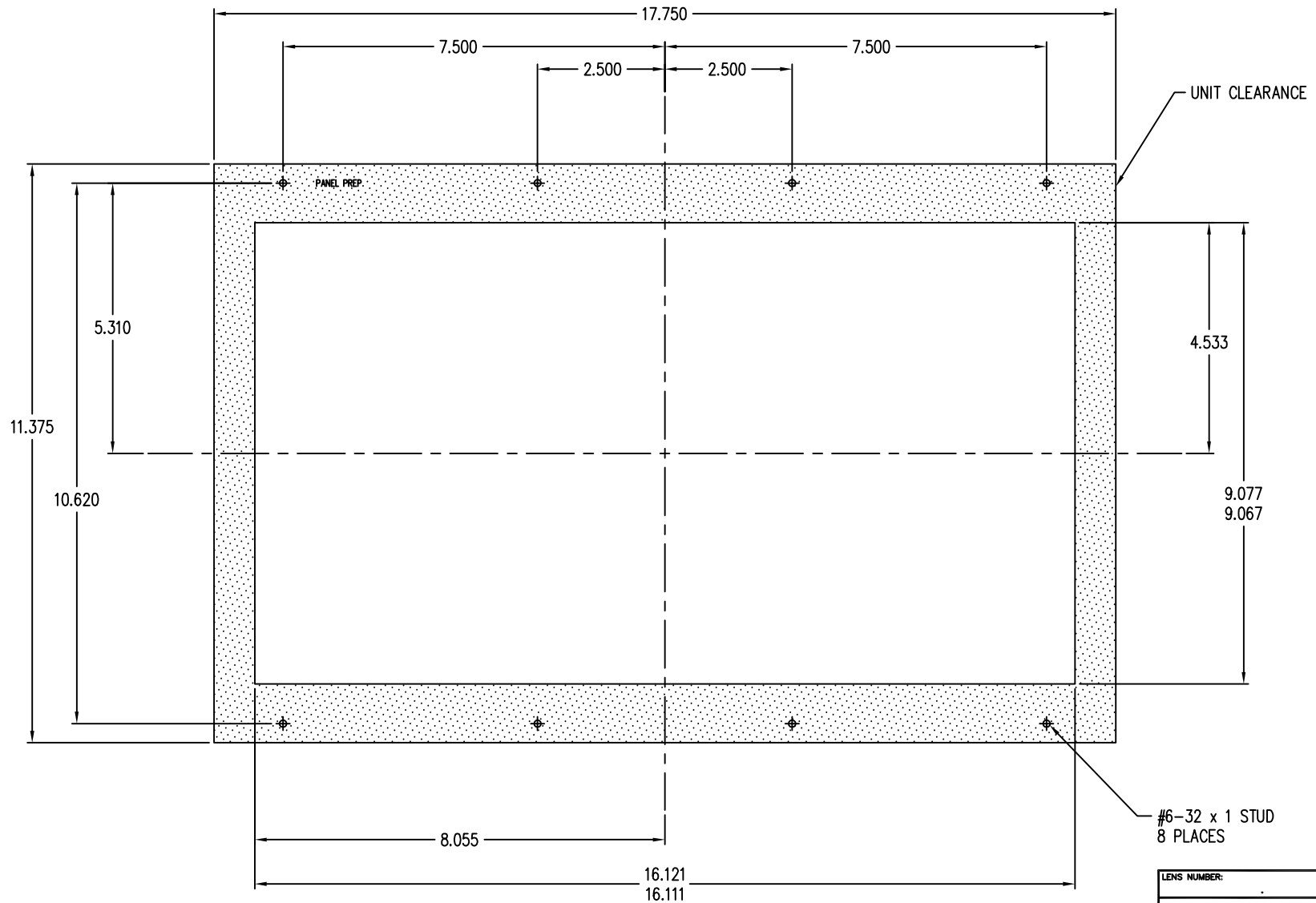
<BLANK>= LANDSCAPE
 "P"= PORTRAIT

RELATED DRAWINGS	
DESCRIPTION	DRAWING NAME
PANEL PREP.	PP185W-AA2
DETAIL DIM.	DD185W-AA2




LENS NUMBER:	BOARD # & REV:
APPROVED BY:	
Signature:	
Date:	
Company:	

DATE DRAWN: 12/15/2022	LAST DATE REVISED 1/5/2024	SCALE NTS	PART #
DRAWN BY: DJR	TOLERANCE UNLESS OTHERWISE SPECIFIED: .		 C.E. ELECTRONICS, INC. 2107 Industrial Drive Bryan, Ohio 43506 (419) 636-6705
REQUESTED BY: RNT	TOLERANCE FOR CUTOUT (WINDOW): .		
TITLE: EX185W-AA2 DIMENSIONAL DATA			DWG. NO. DD185W-AA2
			REV. A



3-1/4 UNIT DEPTH

LENS NUMBER:	BOARD # & REV:
APPROVED BY:	
Signature:	
Date: was Q9189001-1PP	
Company:	

DATE DRAWN: 12/15/2022	LAST DATE REVISED:	SCALE NTS	PART #
DRAWN BY: DJR	TOLERANCE UNLESS OTHERWISE SPECIFIED: ±.010		 C.E. ELECTRONICS, INC. 2107 Industrial Drive Bryan, Ohio 43506 (419) 636-6705
REQUESTED BY: RNT	TOLERANCE FOR CUTOUT (WINDOW):		
TITLE: 18.5W PANEL PREP			DWG. NO. PP185W-AA2