



EX156W-AI2X

Ver. 2 Rel. 09/05/2024

ELITE PI[®]
 PRO

15.6 INCH Elite PI[®] PRO "WIDE"

The MICRO COMM[®] Elite PI[®] PRO is the most flexible position indicator available. With the Elite PI[®] Designer software, you can PROgram your own position indicator by customizing background colors and logos, messages, and arrow styles. This system offers full network support with our ENET, giving you the ability to PROgram the screen from any computer in the building.

In addition to design flexibility, the MICRO COMM[®] Elite PI[®] PRO can display floor, priority, and time-based messages.

Typical Applications

- Car operating panel
- Car transom
- Lobby

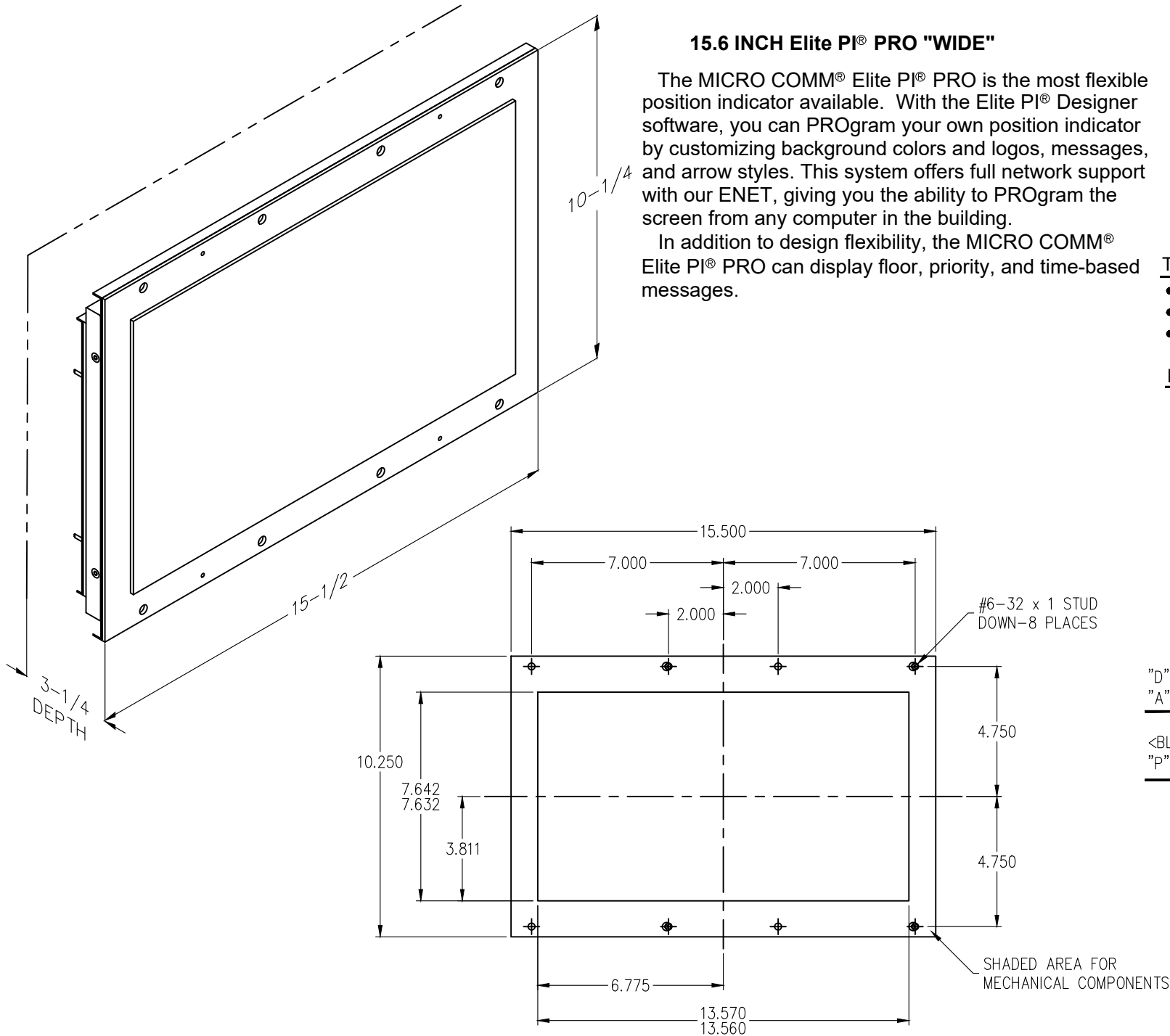
Features:

- Fully customizable and and PROgrammable
- Elite PI[®] software
- Streaming video capabilities with an HDINT video encoder
- Passing chime output
- Self testing
- Low profile
- Multi-car capabilities for hallway use

TO ORDER - EX156W-A12X

"D" = HD DIGITAL SCREEN
 "A" = AUXILIARY PANEL LINK

<BLANK> = LANDSCAPE
 "P" = PORTRAIT



RELATED DRAWINGS	
DESCRIPTION	DRAWING NAME
PANEL PREP.	PP156W-AI2
DETAIL DIM.	DD156W-AI2