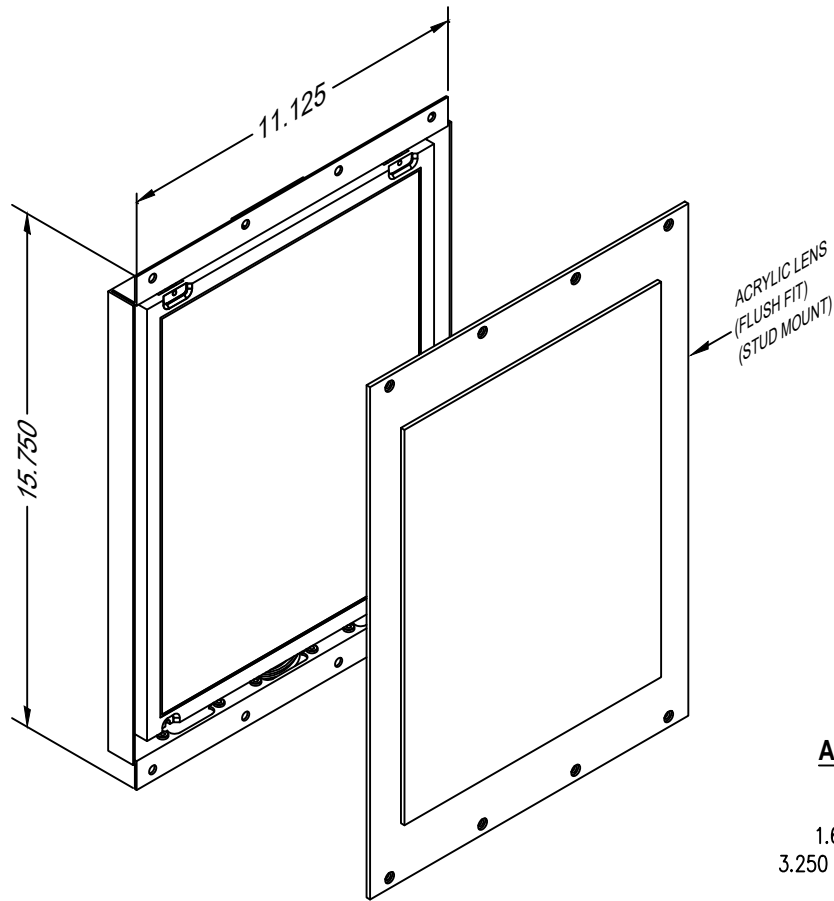




# EX150-PT2

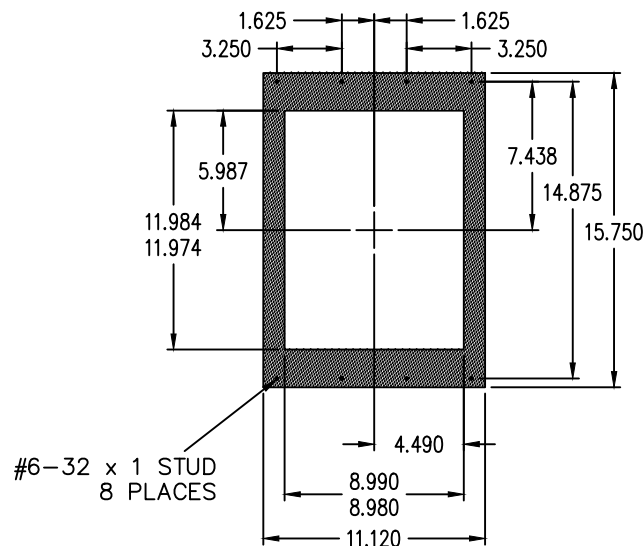
Ver. 2 Rel. 09/05/2024

ELITE PI<sup>®</sup>  
 PRO



Main Screen is 3 Inches Deep  
 Auxiliary Screen is 2-1/4 Deep  
 3-1/2 Inch Box Depth Recommended

### AS VIEWED FROM FRONT



### 15 INCH Elite PI<sup>®</sup> PRO Portrait

The MICRO COMM<sup>®</sup> Elite PI<sup>®</sup> PRO is the most flexible position indicator available. With the Elite PI<sup>®</sup> Designer software, you can PROgram your own position indicator by customizing background colors and logos, messages, and arrow styles. This system offers full network support with our ENET, giving you the ability to PROgram the screen from any computer in the building.

In addition to design flexibility, the MICRO COMM<sup>®</sup> Elite PI<sup>®</sup> PRO can display floor, priority, and time-based messages.

#### Typical Applications

- Car operating panel
- Car transom
- Lobby

#### Features:

- Fully customizable and and PROgrammable
- Elite PI<sup>®</sup> software
- Streaming video capabilities with an HDINT video encoder
- Passing chime output
- Self testing
- Low profile
- Multi-car capabilities for hallway use
- MICRO COMM serial link input

TO ORDER: - EX150 - PT2

"L" = STANDARD  
 "A" = AUXILIARY PANEL LINK

RELATED DRAWINGS	
DESCRIPTION	DRAWING NAME
PANEL PREP.	PP150-2
DETAIL DIM.	DD150-2