

EMN90-DHX

9.0" inch ELITE PI® Standard



ELITE PI® Standard

9.0 inch Elite PI® Standard

The MICRO COMM® Elite PI® Standard is the entry level platform for a property looking for something more than just a typical position indicator. With a full 256 color TFT screen, the Elite PI® Standard can be customized with your properties logo or an image of the building. This position indicator is capable of relaying information to passengers regarding the elevators current position and direction, arrival arrows, along with priority messages from the controller. It's also designed to be a destination type display showing floors served when in destination mode. These units also have a non-movement selectable time blanking to help preserve backlight life. The Elite PI® Standard doesn't support custom customer messages; for custom content management on the display, choose the Elite PI® PRO product line.

TYPICAL APPLICATIONS:

- > Car Operating Panel
- > Car Transom
- > Lobby/Arrival
- > Destination Display

FEATURES:

- > Passing Chime Output
- > Self Testing
- > Low Voltage
- > Backlight Saver Function / Default on 30 minutes
- > USB Updatable
- > MicroComm Input



C.E. Electronics, Inc. (US) 2107 Industrial Drive, Bryan, Ohio 43506 p: 419.636.6705 www.ceelectronics.com

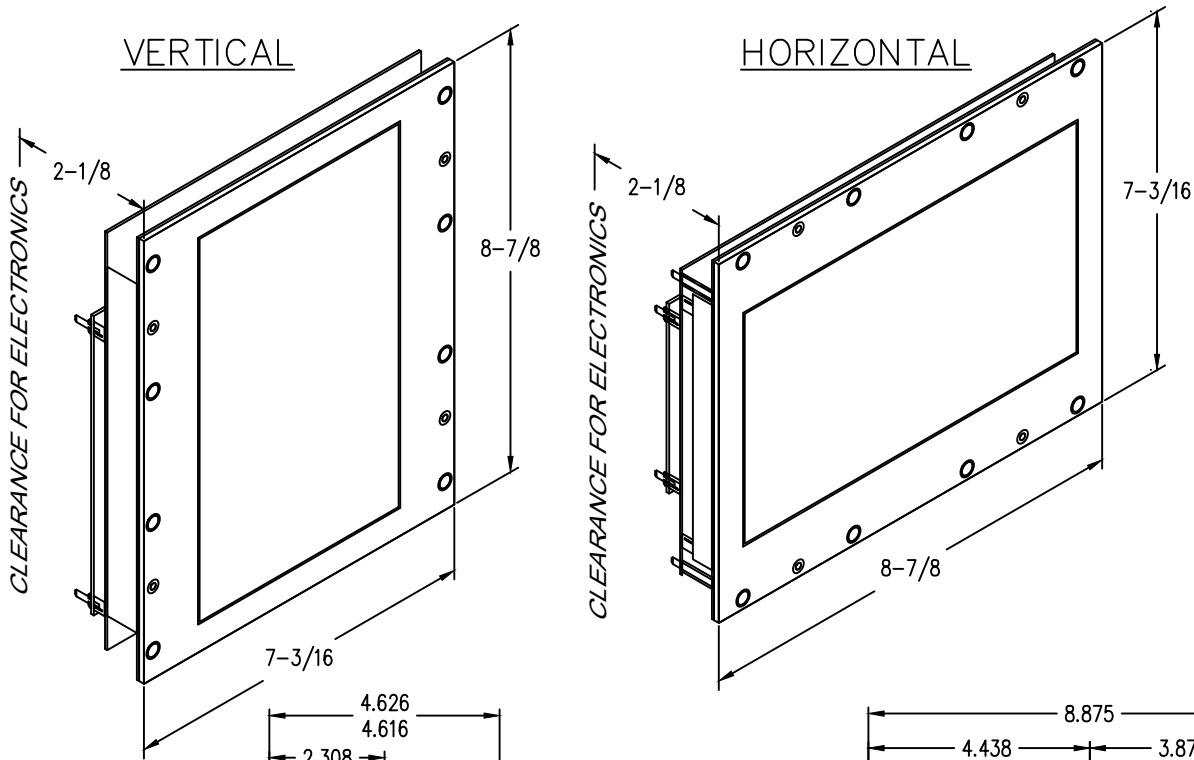
C.E. Electronics, Ltd. (UK) P.O. Box 1679 Marlow, Bucks SL7 3ZG, UK p: +44 (0) 1628 487633 www.ceelectronics.co.uk



EMN90-DHX

Ver. 4 Rel. 09/12/2024

ELITE PI®
Standard



9.0 Inch Elite PI® Standard

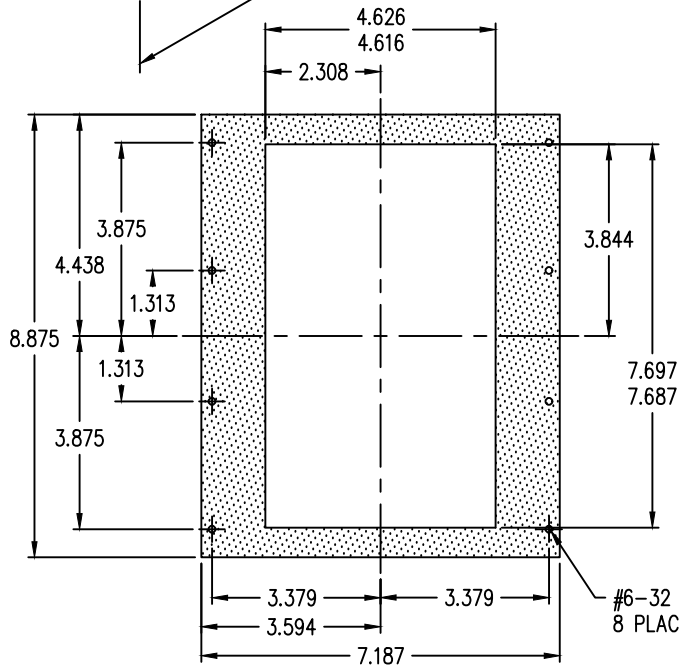
The MICRO COMM® Elite PI® Standard is the entry level platform for a property looking for something more than a typical position indicator. With a full 256 color TFT screen, the Elite PI® Standard can be customized with your property logo or an image of the building. This position indicator is capable of relaying information to passengers regarding the elevator's current position and direction, arrival arrows, along with priority messages from the controller. It's also designed to be a destination type display showing floors served when in destination mode. These units also have a non-movement selectable time blanking to help preserve backlight life. The Elite PI® Standard doesn't support custom customer messages; for custom content management on the display, choose the Elite PI® PRO product line.

Typical Applications

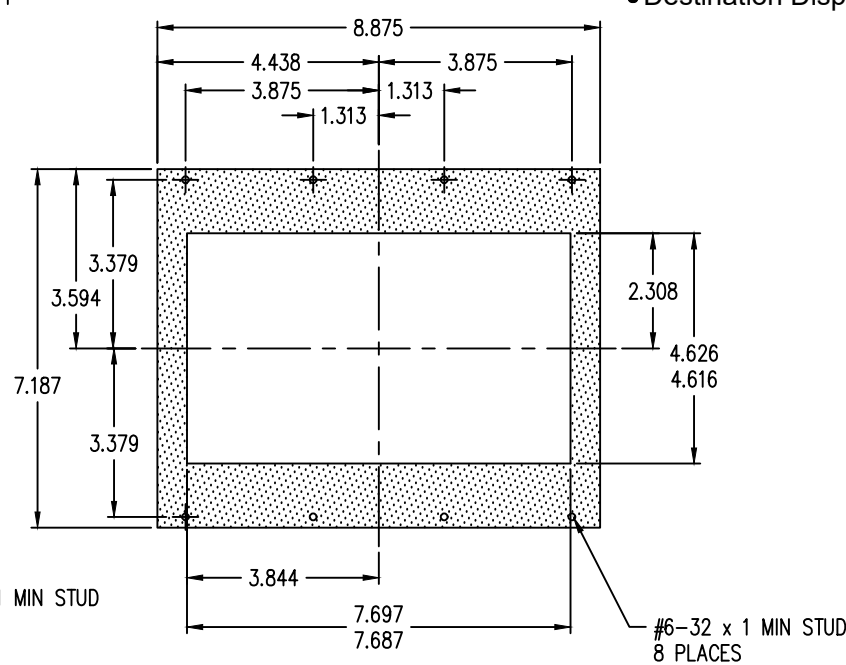
- Car operating panel
- Car transom
- Lobby/arrival
- Destination Display

Features:

- Passing chime output
- Self testing
- Low voltage
- Backlight saver function/default on 30 min.
- USB Updatable
- MICRO COMM® input



PANEL PREP



PANEL PREP

TO ORDER: - EMN90 - DHX

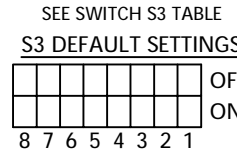
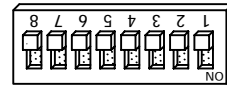
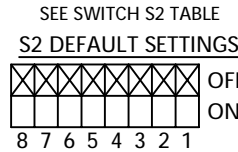
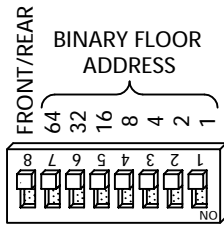
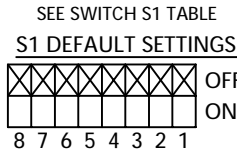
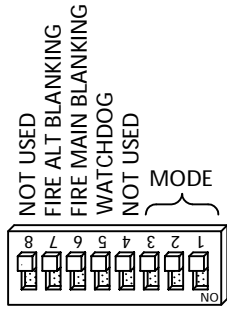
"H" = HORIZONTAL (Landscape)
 "V" = VERTICAL (Portrait)

HORIZONTAL RELATED DRAWINGS	
DESCRIPTION	DRAWING NAME
PANEL PREP.	PP90-3
DETAIL DIM.	DD90-3
VERTICAL RELATED DRAWINGS	
DESCRIPTION	DRAWING NAME
PANEL PREP.	PP90-4
DETAIL DIM.	DD90-4

~ Some features may not be available for your system. Please check with your manufacture or engineering for special features. ~

EMN90

JOB# _____



CE3659 ____

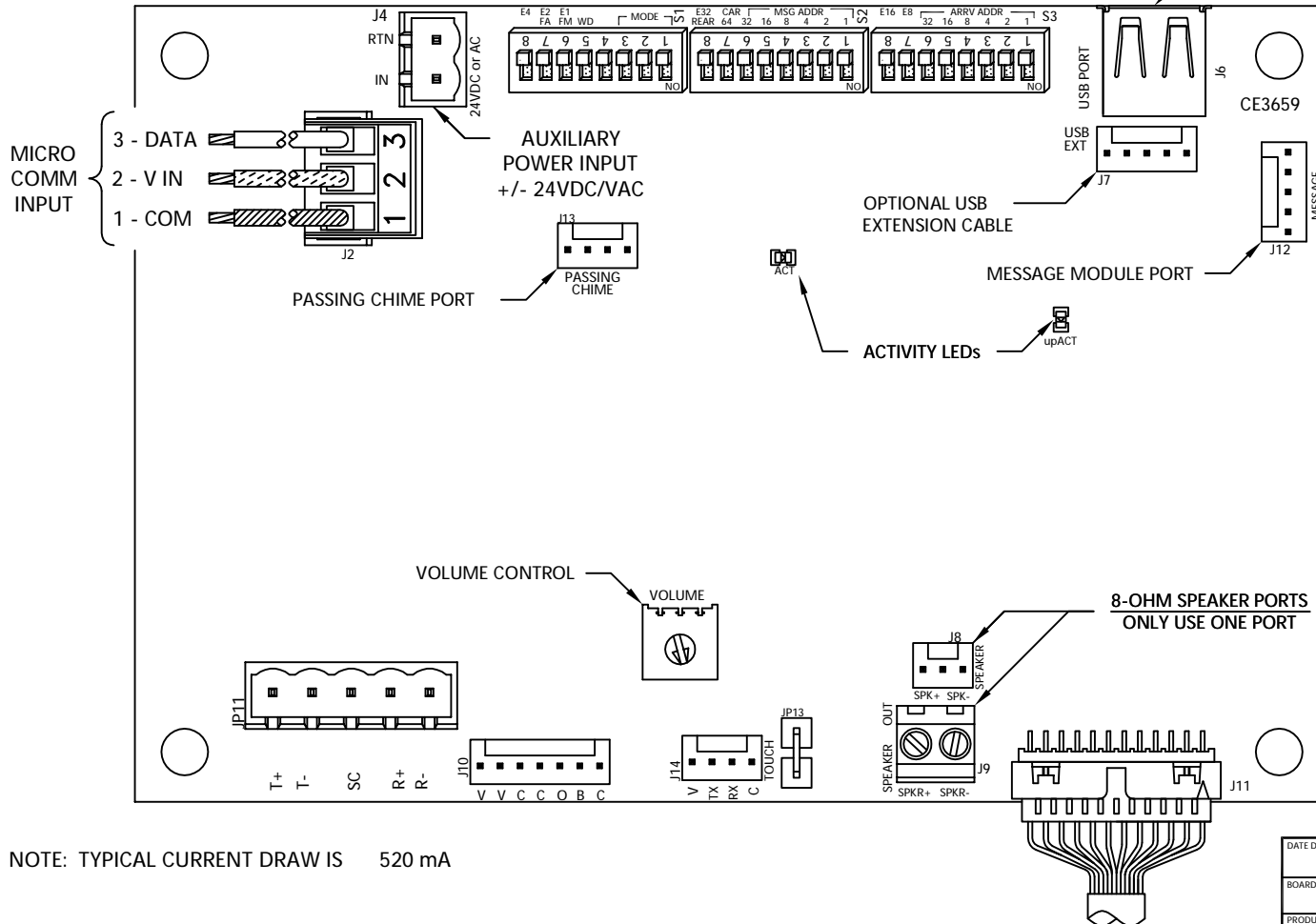
ARM CODE VERSION _____ MINI CODE VERSION _____

DESIGN VERSION _____

AUDIO VERSION _____

CRCG _____ OCDL CRC _____

CRCA _____ ODAA CRC _____



USB PORT FOR PROGRAM UPDATES

SWITCH S1

DS1	DS2	DS3	S1 MODE FUNCTIONS
OFF	OFF	OFF	NORMAL OPERATION
ON	OFF	OFF	DISPLAY TEST MODE
ON	ON	OFF	AUDIO / UNIT TEST MODE

SWITCH S2 - ARRIVAL ARROWS
DS1 - DS7 set the unit's floor number.

DS7 (64)	DS6 (32)	DS5 (16)	DS4 (8)	DS3 (4)	DS2 (2)	DS1 (1)	FLOOR NUMBER
OFF	OFF	OFF	OFF	OFF	OFF	OFF	CAR UNIT*
OFF	OFF	OFF	OFF	OFF	OFF	ON	FLOOR 1
OFF	OFF	OFF	OFF	OFF	ON	OFF	FLOOR 2
OFF	OFF	OFF	OFF	OFF	ON	ON	FLOOR 3
OFF	OFF	OFF	OFF	ON	OFF	OFF	FLOOR 4
OFF	OFF	OFF	OFF	ON	OFF	ON	FLOOR 5
ON	ON	ON	ON	ON	OFF	ON	FLOOR 125
ON	ON	ON	ON	ON	ON	OFF	FLOOR 126
ON	ON	ON	ON	ON	ON	ON	IN-CAR UNIT**

DIP switch S2 - Switch 8 sets the unit as front or rear.
DS8 OFF - Front Unit DS8 ON - Rear Unit

* CAR UNIT - Unit uses the Hall Arrival Lantern Signals for the current floor.

**IN-CAR UNIT - Unit uses the In-Car Arrow signals.

SWITCH S3

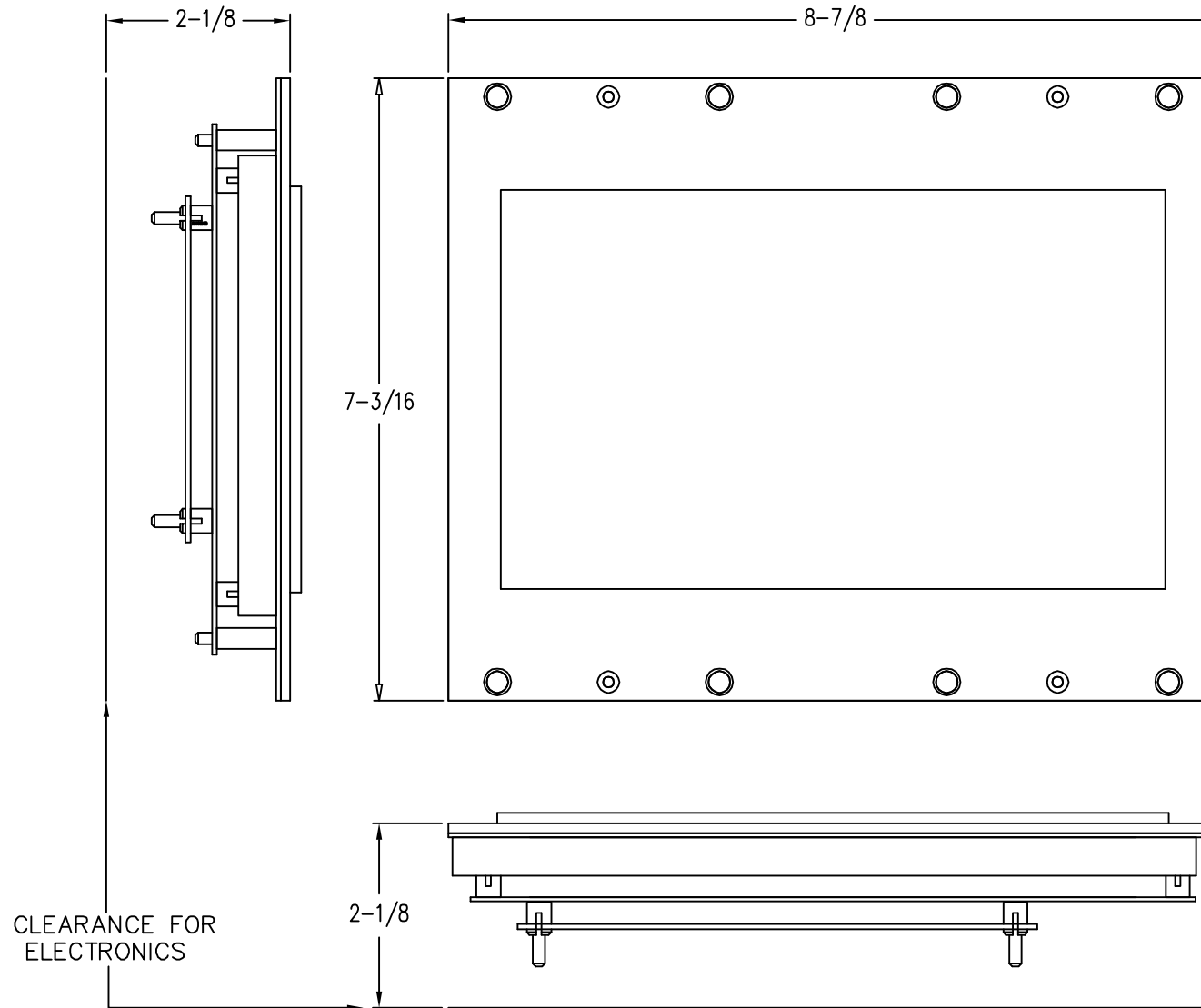
DS8	DS7	DS6	DS5	DS4	DS3	DS2	DS1	FUNCTION
OFF	OFF	OFF	OFF	OFF	OFF	OFF	OFF	NORMAL OPERATION
ON	ON	ON	ON	ON	ON	ON	ON	MULTI-CAR OPERATION

NOTE: TYPICAL CURRENT DRAW IS 520 mA


DATE DRAWN: 06/02/15	DRAWN BY: DAC	REQUESTED BY: TE	<p>C.E. ELECTRONICS, INC. 2107 Industrial Drive Bryan, Ohio 43306 (419) 636-6705</p>
BOARD NUMBER: 3659	LAST DATE REVISED: 10/24/17	APPROVED BY:	
PRODUCT EMN90 MAX SERIES TFT DISPLAY		DWG. NO. EMNMAX_02	

DD90-3

Ver. 2 Rel. 3/23/2016

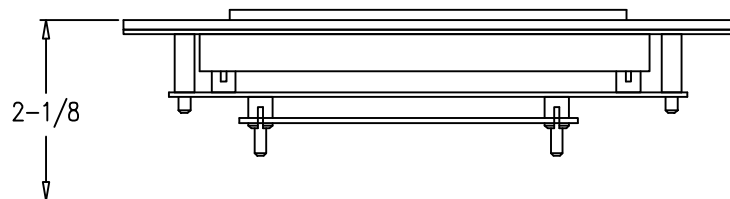
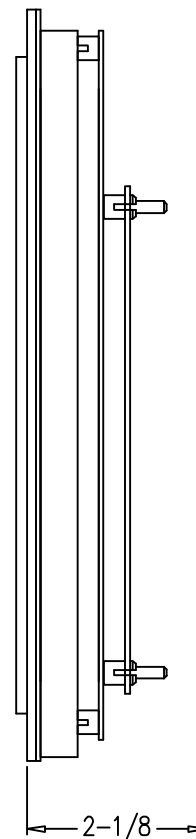
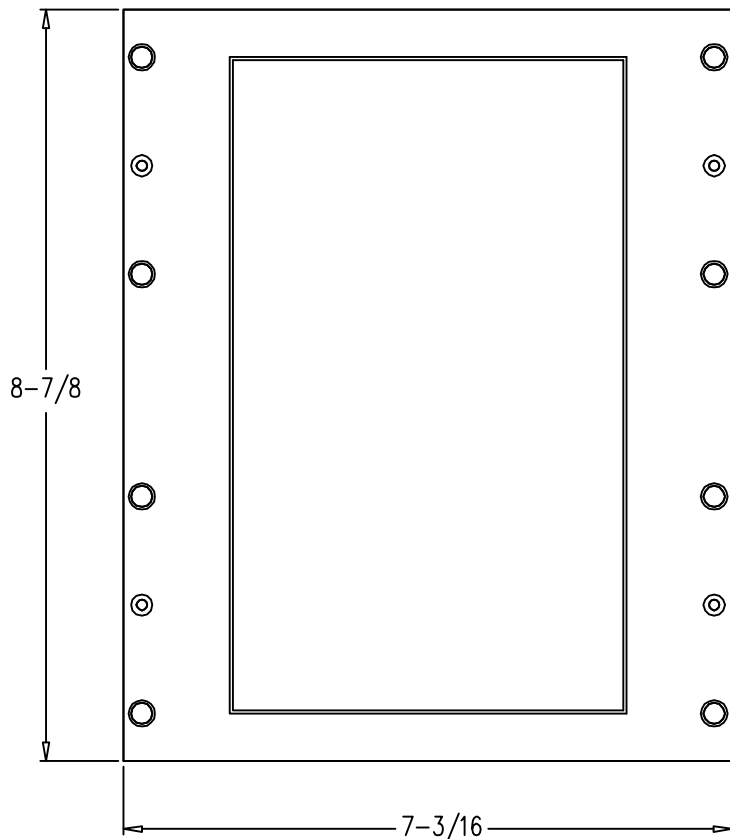


LENS NUMBER:	BOARD # & REV:
APPROVED BY:	
Signature:	
Date:	
Company:	

DATE DRAWN: 2/22/2012	LAST DATE REVISED 3/23/2016	SCALE NTS	PART #
DRAWN BY: DWS	TOLERANCE UNLESS OTHERWISE SPECIFIED: ±.015	 C.E. ELECTRONICS, INC. 2107 Industrial Drive Bryan, Ohio 43506 (419) 636-6705	
REQUESTED BY: TE	TOLERANCE FOR CUTOFF (WINDOW):		
TITLE:	DWG. NO. DD90-3	REV. A	

DD90-4

VER.2 REL. 3/23/2016



CLEARANCE FOR ELECTRONICS

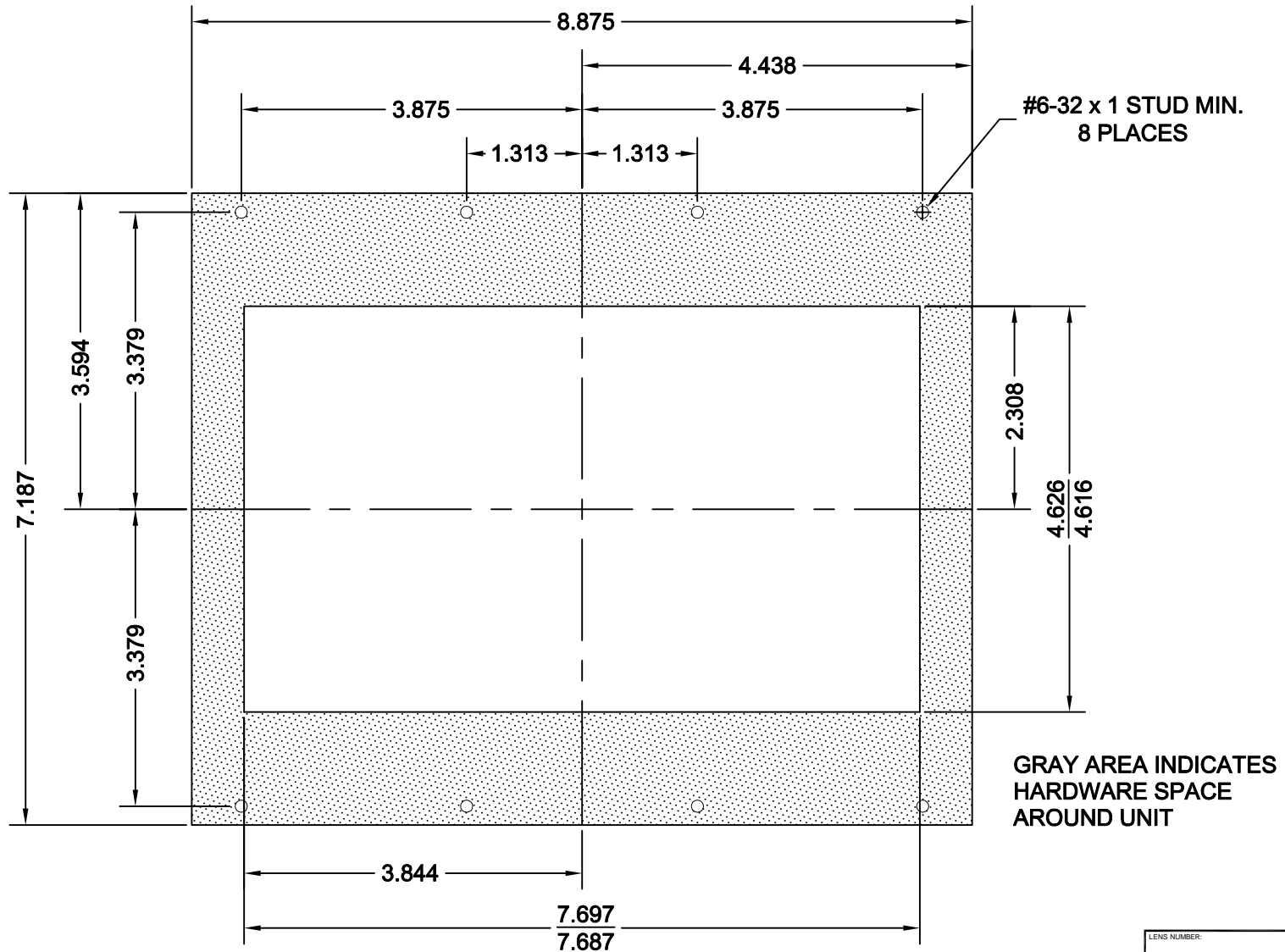
LENS NUMBER:	BOARD # & REV:
APPROVED BY:	
Signature:	
Date:	
Company:	

DATE DRAWN: 2/22/2012	LAST DATE REVISED 3/23/2016	SCALE NTS	PART #
DRAWN BY: DWS	TOLERANCE UNLESS OTHERWISE SPECIFIED:		
REQUESTED BY:	TOLERANCE FOR OUTCUT (WINDOW):		
TITLE:			DWG. NO. DD90-4
			REV: A



PP90-3

Ver. 1 Rel. 02/21/2012



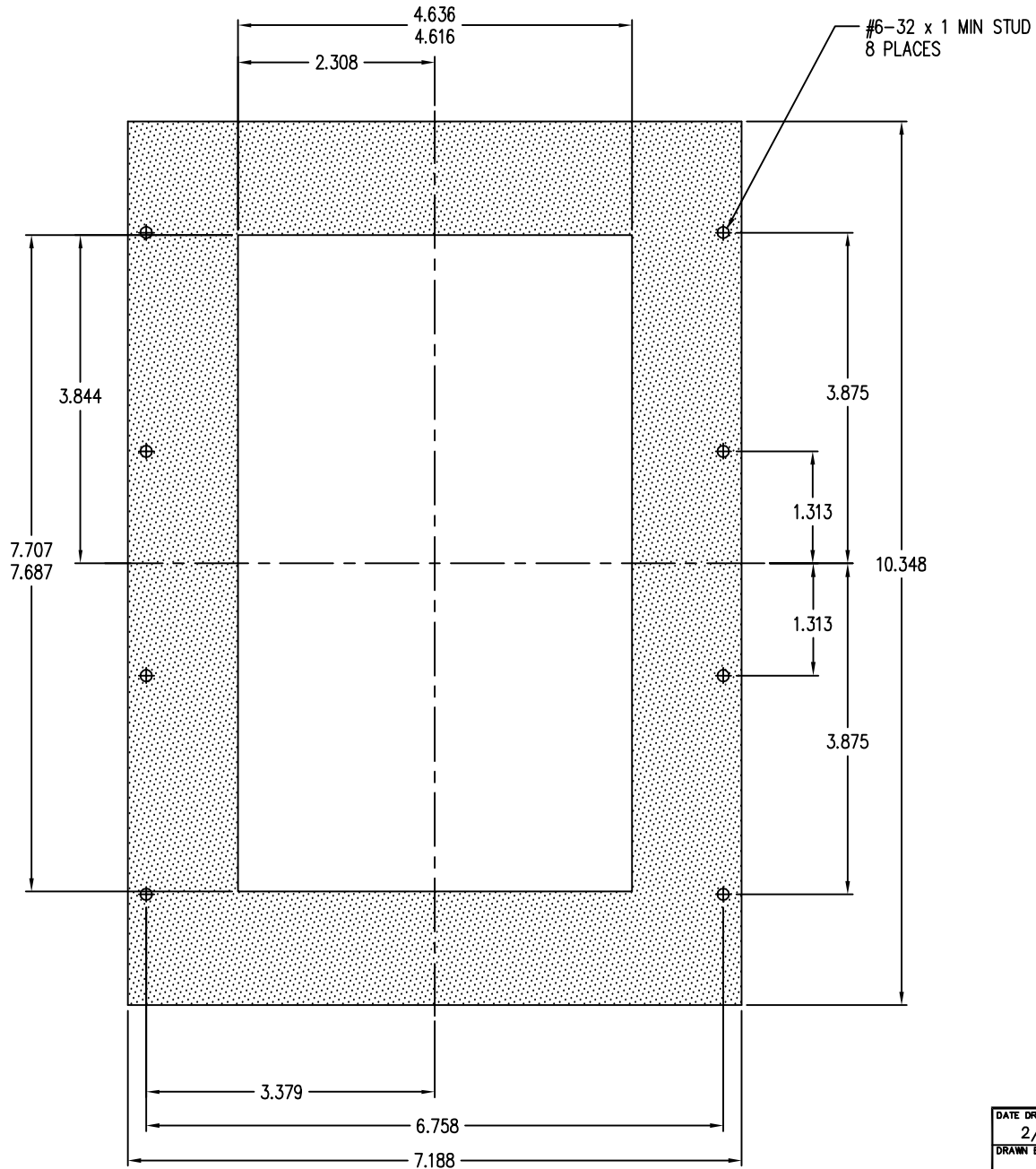
LENS NUMBER:	BOARD # & REV:
APPROVED BY:	
Signature: _____	
Date: _____	
Company: _____	

DATE DRAWN: 02/21/2012	LAST DATE REVISED:	SCALE: NONE	PART #:
DRAWN BY: DWS	TOLERANCE UNLESS OTHERWISE SPECIFIED: ±.015		
REQUESTED BY: TE	TOLERANCE FOR CUTOUT (WINDOW):		
TITLE: EMN90-BHH PANEL PREP			DWG. NO. PP90-3
			REV:

 C.E. ELECTRONICS, INC.
2107 Industrial Drive
Bryan, Ohio 43506
(419) 636-6705


PP90-4

VER. 1 - REL. 02/21/2012



#6-32 x 1 MIN STUD
8 PLACES

LENS NUMBER:	BOARD # & REV:
APPROVED BY:	
Signature:	
Date:	
Company:	

DATE DRAWN: 2/21/2012	LAST DATE REVISED:	SCALE NTS	PART #
DRAWN BY: DWS	TOLERANCE UNLESS OTHERWISE SPECIFIED: ±.015	 C.E. ELECTRONICS, INC. 2107 Industrial Drive Bryan, Ohio 43506 (419) 636-6705	
REQUESTED BY: TE	TOLERANCE FOR CUTOUT (WINDOW):		
TITLE: PANEL PREP		DWG. NO. PP90-4	REV: