



C.E. Electronics, Inc.
 2107 Industrial Drive
 Bryan, OH 43506
 PH (419) 636-6705 FX (419) 636-2516
 www.ceelectronics.com

EMN90-CHX

Ver. 3 Rel. 09/12/2024

ELITE PI®
 Standard

VERTICAL

HORIZONTAL

9.0 Inch Elite PI® Standard

The MICRO COMM® Elite PI® Standard is the entry level platform for a property looking for something more than a typical position indicator. With a full 256 color TFT screen, the Elite PI® Standard can be customized with your property logo or an image of the building. This position indicator is capable of relaying information to passengers regarding the elevator's current position and direction, arrival arrows, along with priority messages from the controller. It's also designed to be a destination type display showing floors served when in destination mode. These units also have a non-movement selectable time blanking to help preserve backlight life. The Elite PI® Standard doesn't support custom customer messages; for custom content management on the display, choose the Elite PI® PRO product line.

Typical Applications

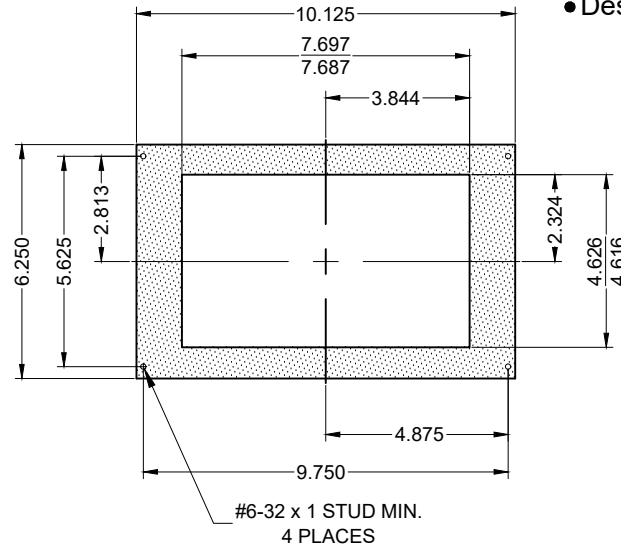
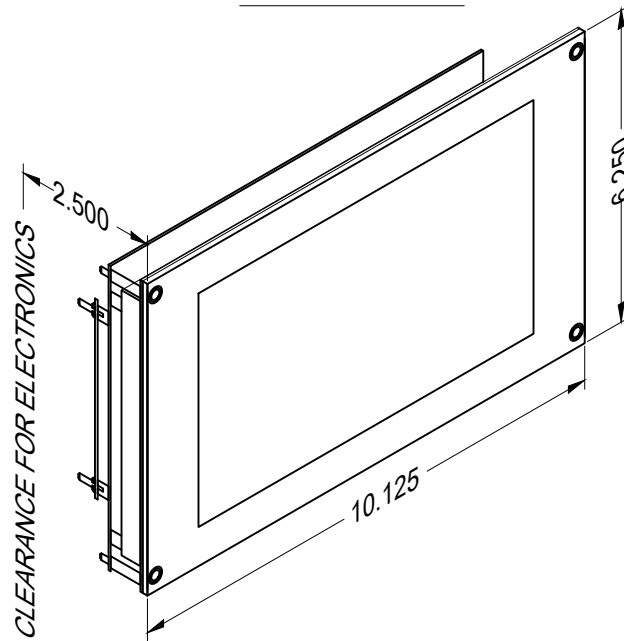
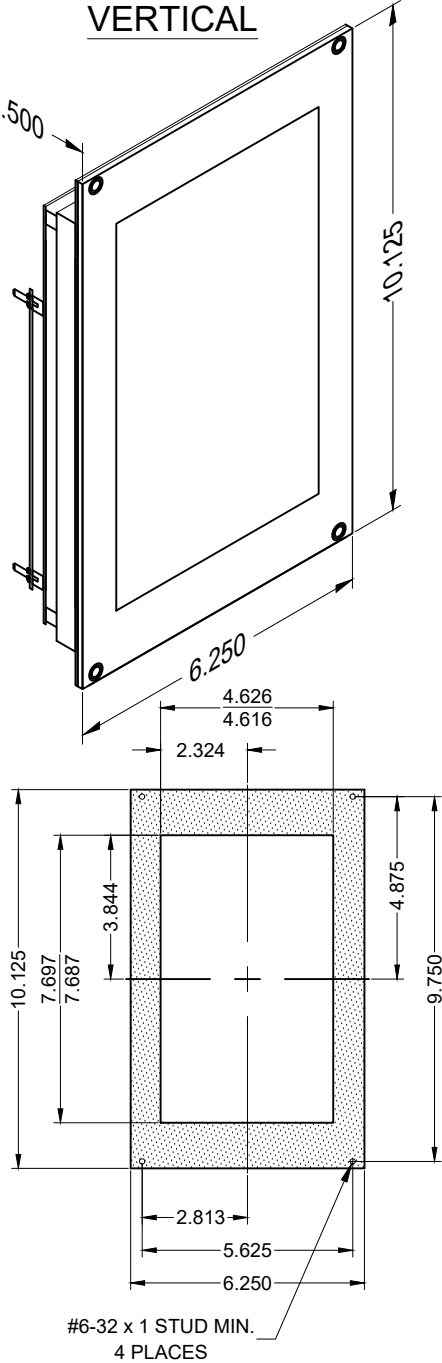
- Car operating panel
- Car transom
- Lobby/arrival
- Destination Display

Features:

- Passing chime output
- Self testing
- Low voltage
- Backlight saver function / default on 30 min.
- USB Updatable
- MICRO COMM® input

CLEARANCE FOR ELECTRONICS

CLEARANCE FOR ELECTRONICS



PANEL PREP

PANEL PREP

TO ORDER: - EMN90 - CHX

"H" = HORIZONTAL (Landscape)
 "V" = VERTICAL (Portrait)

HORIZONTAL RELATED DRAWINGS

| DESCRIPTION | DRAWING NAME |
|---------------------------|--------------|
| PANEL PREP. | PP90-5 |
| DETAIL DIM. | DD90-5 |
| VERTICAL RELATED DRAWINGS | |
| DESCRIPTION | DRAWING NAME |
| PANEL PREP. | PP90-6 |
| DETAIL DIM. | DD90-6 |

~ Some features may not be available for your system. Please check with your manufacture or engineering for special features. ~