

EMN70-ASX

7.0 inch ELITE PI® Standard



ELITE PI® Standard

7.0 inch Elite PI® Standard

The MICRO COMM® Elite PI® Standard is the entry level platform for a property looking for something more than just a typical position indicator. With a full 256 color TFT screen, the Elite PI® Standard can be customized with your properties logo or an image of the building. This position indicator is capable of relaying information to passengers regarding the elevators current position and direction, arrival arrows, along with priority messages from the controller. It's also designed to be a destination type display showing floors served when in destination mode. These units also have a non-movement selectable time blanking to help preserve backlight life. The Elite PI® Standard doesn't support custom customer messages; for custom content management on the display, choose the Elite PI® PRO product line.

TYPICAL APPLICATIONS:

- > Car Operating Panel
- > Car Transom
- > Lobby/arrival
- > Destination Display

FEATURES:

- > Passing Chime Output
- > Self Testing
- > Low Voltage
- > Backlight Saver Function / Default on 30 Minutes
- > USB Updatable
- > MicroComm Input



C.E. Electronics, Inc. (US) 2107 Industrial Drive, Bryan, Ohio 43506 p: 419.636.6705 www.ceelectronics.com

C.E. Electronics, Ltd. (UK) P.O. Box 1679 Marlow, Bucks SL7 3ZG, UK p: +44 (0) 1628 487633 www.ceelectronics.co.uk

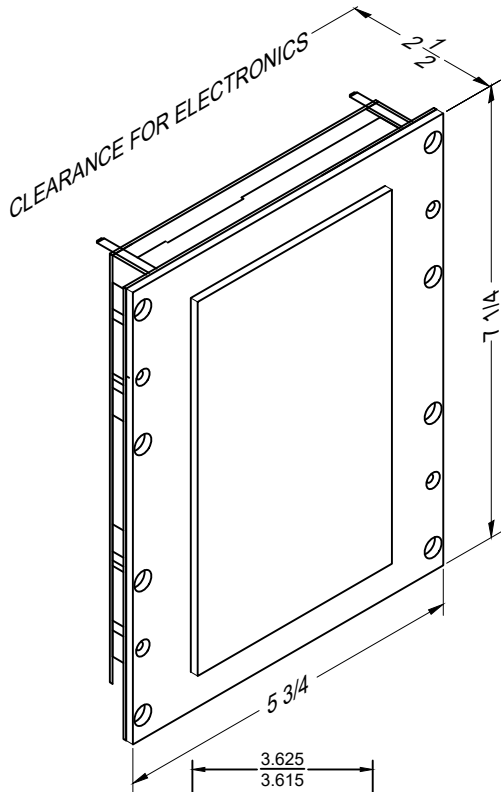


EMN70-AIX

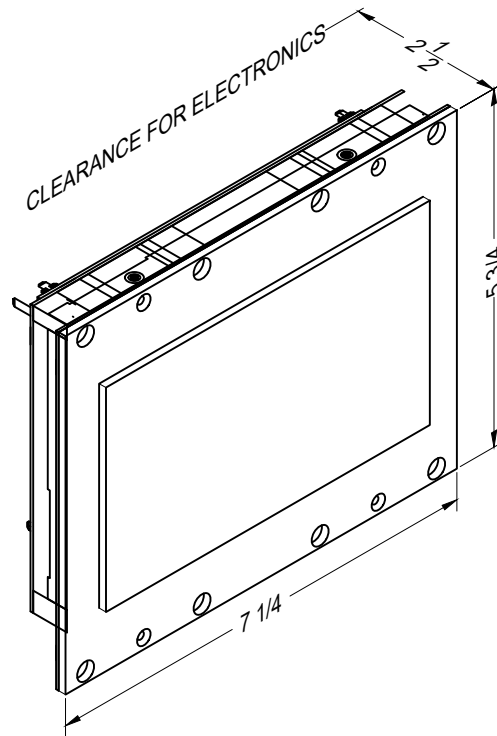
Ver. 3 Rel. 09/12/2024

ELITE PI®
Standard

VERTICAL



HORIZONTAL



7.0 Inch Elite PI® Standard

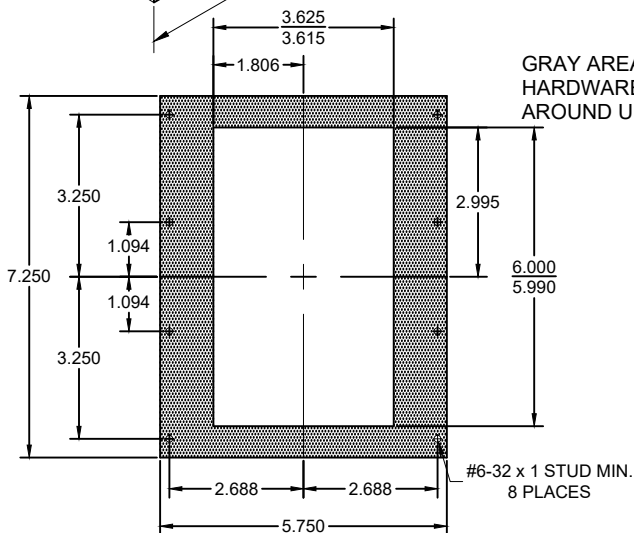
The MICRO COMM® Elite PI® Standard is the entry level platform for a property looking for something more than a typical position indicator. With a full 256 color TFT screen, the Elite PI® Standard can be customized with your property logo or an image of the building. This position indicator is capable of relaying information to passengers regarding the elevator's current position and direction, arrival arrows, along with priority messages from the controller. It's also designed to be a destination type display showing floors served when in destination mode. These units also have a non-movement selectable time blanking to help preserve backlight life. The Elite PI® Standard doesn't support custom customer messages; for custom content management on the display, choose the Elite PI® PRO product line.

Typical Applications

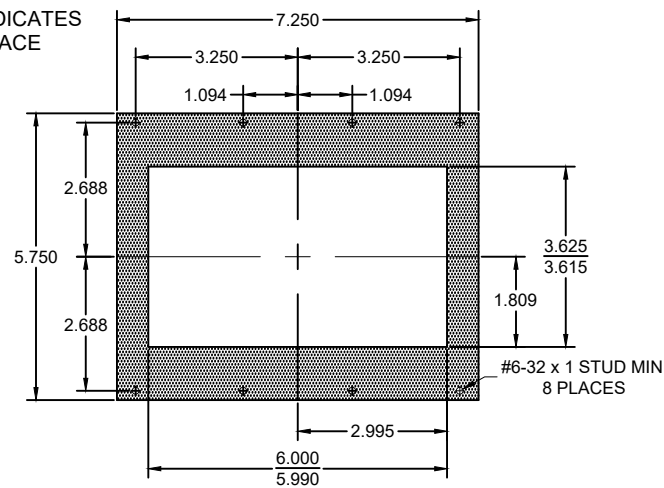
- Car operating panel
- Car transom
- Lobby/arrival
- Destination Display

Features:

- Passing chime output
- Self testing
- Low voltage
- Backlight saver function / default on 30 min.
- USB Updatable
- MICRO COMM® input



GRAY AREA INDICATES
HARDWARE SPACE
AROUND UNIT



PANEL PREP

PANEL PREP

TO ORDER: - EMN70 - AIX

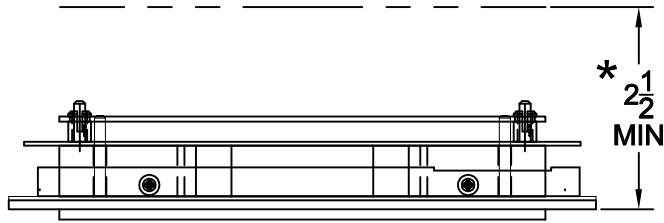
"H" = HORIZONTAL (Landscape)
"V" = VERTICAL (Portrait)

HORIZONTAL RELATED DRAWINGS	
DESCRIPTION	DRAWING NAME
PANEL PREP.	PP70-1
DETAIL DIM.	DD70-3
VERTICAL RELATED DRAWINGS	
DESCRIPTION	DRAWING NAME
PANEL PREP.	PP70-2
DETAIL DIM.	DD70-4

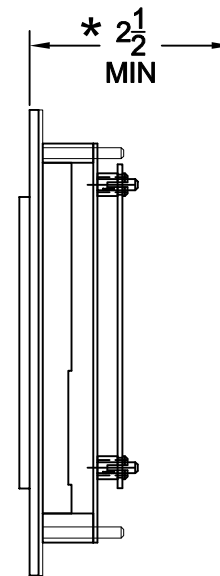
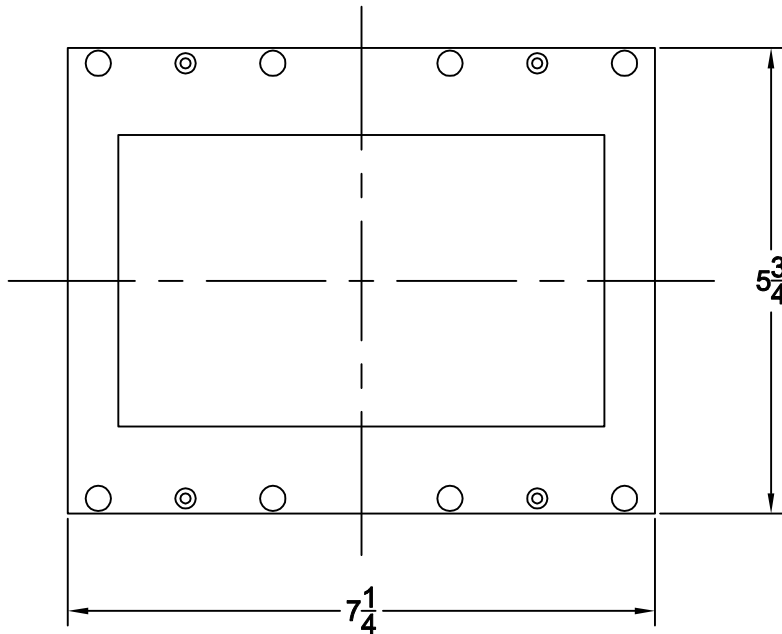
~ Some features may not be available for your system. Please check with your manufacture or engineering for special features. ~

DD70-3


Ver. 1 Rel. 3/12/2015



* CLEARANCE REQUIRED FOR
ELECTRONIC COMPONENTS
AND CONNECTORS



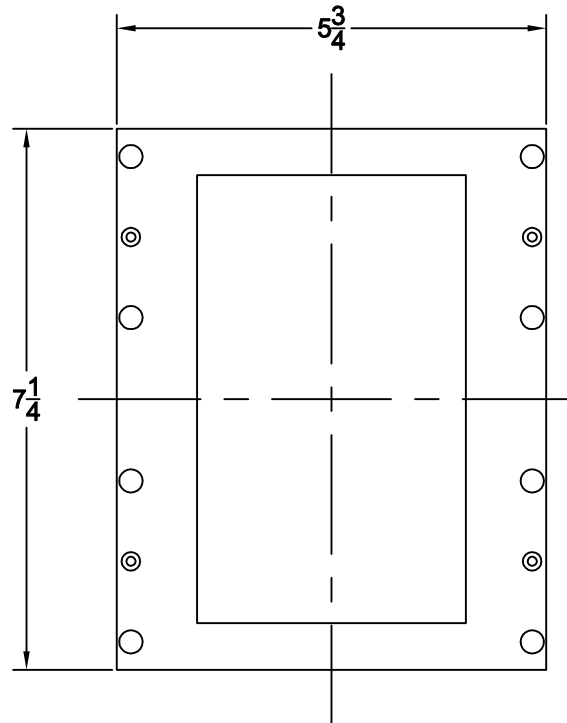
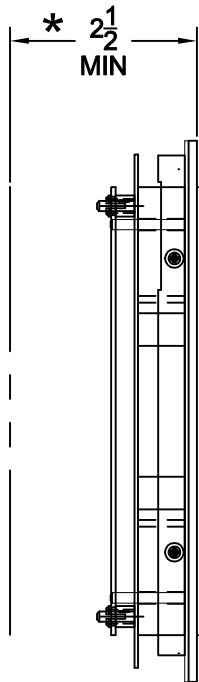
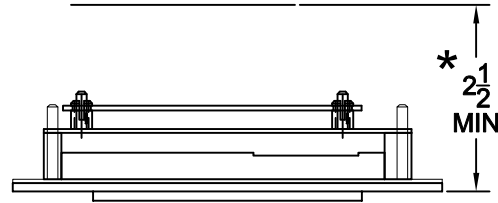
LENS NUMBER:	BOARD # & REV:
APPROVED BY:	
Signature: _____	
Date: _____	
Company: _____	

DATE DRAWN: 3/12/2015	LAST DATE REVISED:	SCALE NONE	PART #:
DRAWN BY: DWS	TOLERANCE UNLESS OTHERWISE SPECIFIED: +0.015,-0.015		 C.E. ELECTRONICS, INC. 2107 Industrial Drive Bryan, Ohio 43506 (419) 636-6705
REQUESTED BY: TE	TOLERANCE FOR CUTOUT (WINDOW): +0.020,-0.000		
TITLE: DD70-3			DWG. NO. DD70-3
			REV:

DD70-4

Ver. 1 Rel. 3/12/2015

* CLEARANCE REQUIRED FOR
ELECTRONIC COMPONENTS
AND CONNECTORS

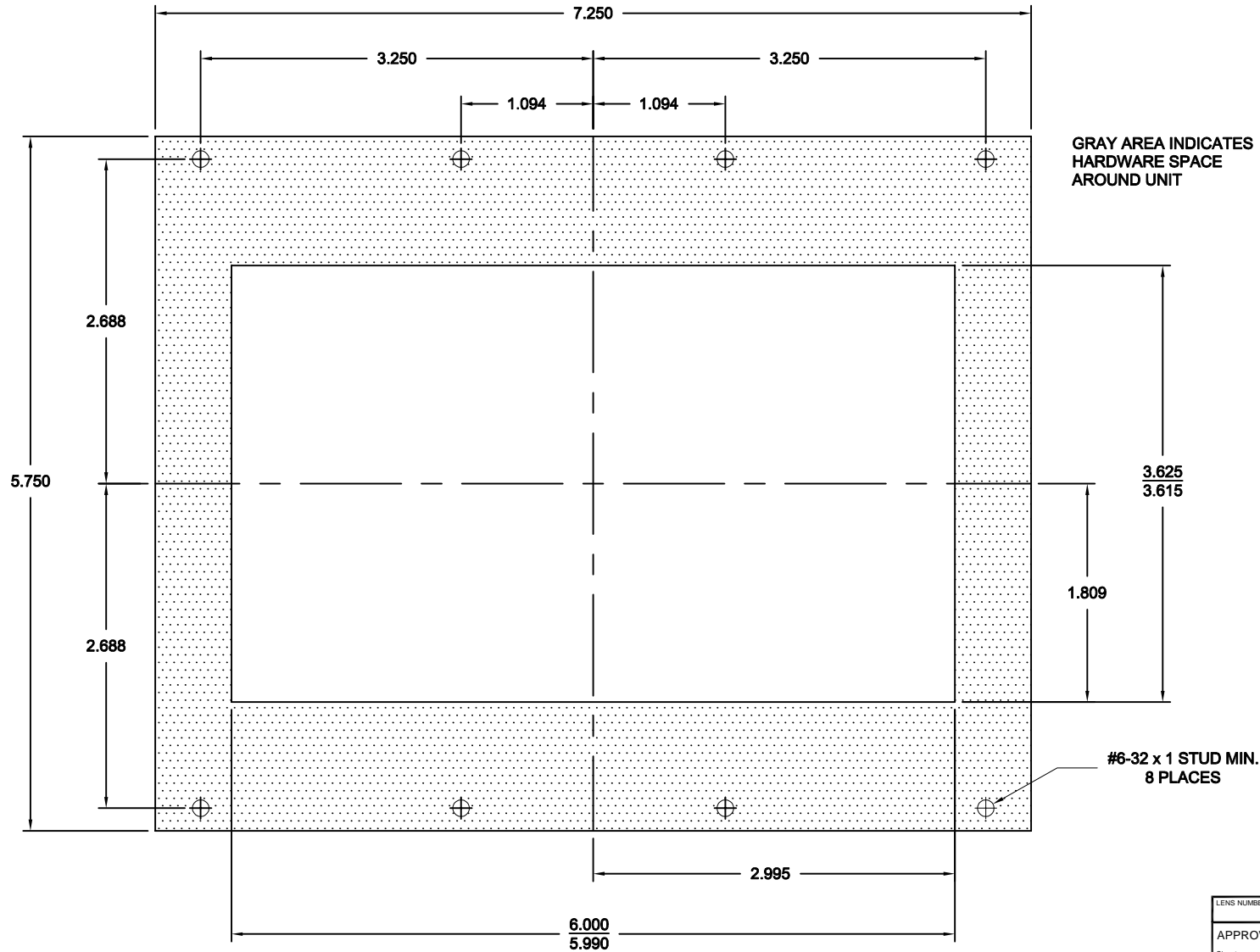


LENS NUMBER:	BOARD # & REV:
APPROVED BY:	
Signature: _____	
Date: _____	
Company: _____	

DATE DRAWN: 3/12/2015	LAST DATE REVISED:	SCALE NONE	PART #:
DRAWN BY: DWS	TOLERANCE UNLESS OTHERWISE SPECIFIED: +0.015,-0.015		 C.E. ELECTRONICS, INC. 2107 Industrial Drive Bryan, Ohio 43506 (419) 636-6705
REQUESTED BY: TE	TOLERANCE FOR CUTOUT (WINDOW): +0.020,-0.000		
TITLE: DD70-4			DWG. NO. DD70-4
			REV:

PP70-1

Ver. 1 Rel. 12/14/2010



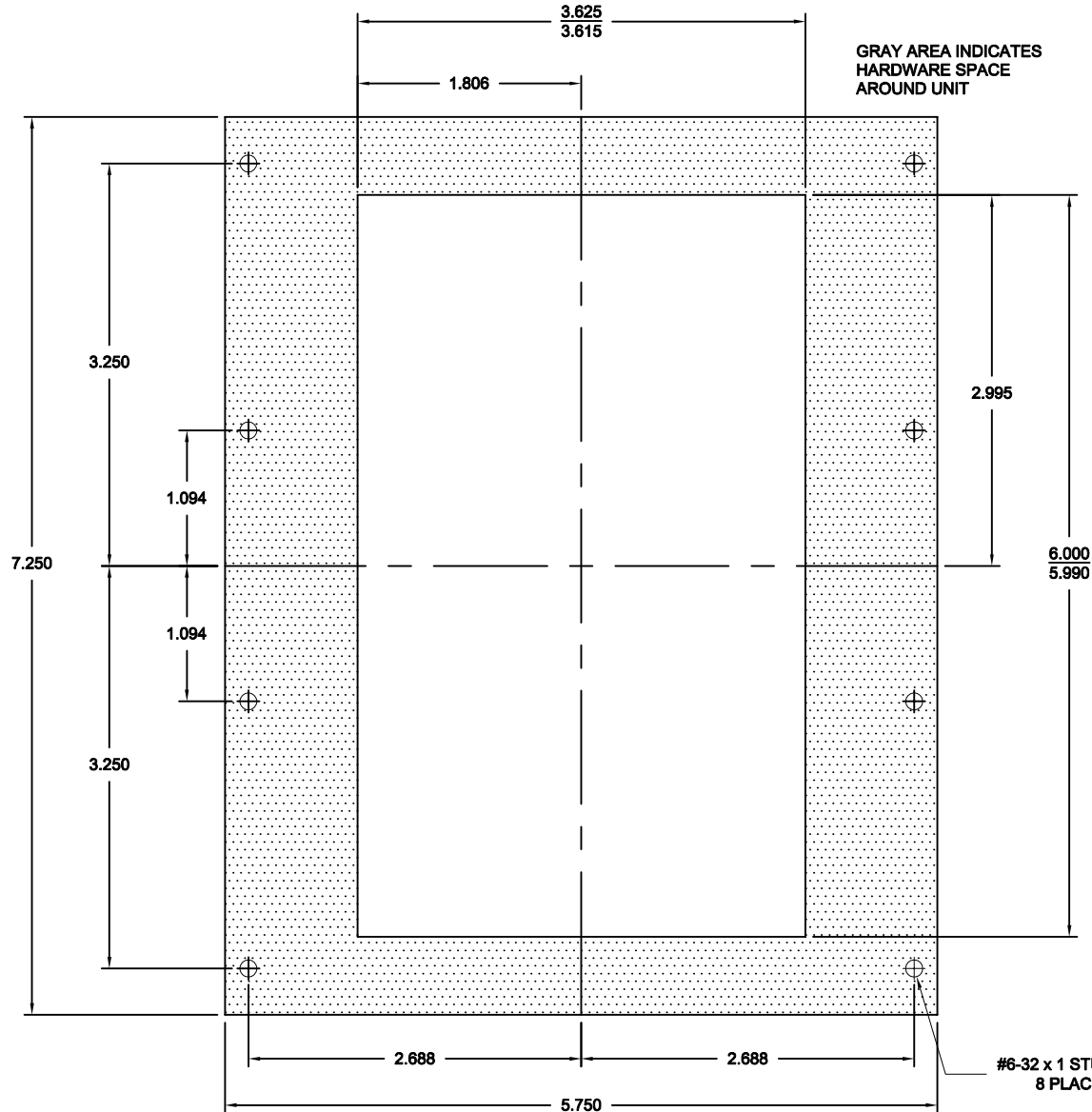
LENS NUMBER:	BOARD # & REV:
APPROVED BY:	
Signature: _____	
Date: _____	
Company: _____	

DATE DRAWN: 10/20/2010	LAST DATE REVISED:	SCALE: NONE	PART #:
DRAWN BY: DWS	TOLERANCE UNLESS OTHERWISE SPECIFIED: ±.015		
REQUESTED BY: TE	TOLERANCE FOR CUTOUT (WINDOW):		
TITLE: EMN70-ASX PANEL PREP			DWG. NO. PP70-1
			REV:

 C.E. ELECTRONICS, INC.
2107 Industrial Drive
Bryan, Ohio 43506
(419) 636-6705

PP70-2

Ver. 1 Rel. 12/14/2010



LENS NUMBER:	BOARD # & REV:
APPROVED BY:	
Signature: _____	
Date: _____	
Company: _____	

DATE DRAWN: 12/14/2011	LAST DATE REVISED:	SCALE NONE	PART #:
DRAWN BY: DWS	TOLERANCE UNLESS OTHERWISE SPECIFIED: ±.015		C.E. ELECTRONICS, INC. 2107 Industrial Drive Bryan, Ohio 43506 (419) 636-6705
REQUESTED BY: TE	TOLERANCE FOR CUTOUT (WINDOW):		
TITLE: EMN70-ASX PANEL PREP			DWG. NO. PP70-2
			REV:

MAX BANK

MAX BANK SERIES



MAX BANK SERIES

MACHINE ROOM INTERFACE

The interface consist of several boards, the main unit is a car position consolidator, we offer a 2 car, or a 3 to 8 car version.

Input boards are fullwave with optically Isolated Inputs.

Output boards are pluggable relay with both NO/NC contact available.

FEATURES:

- > MICRO COMM interface
- > RSL interface (proprietary)



C.E. Electronics, Inc. (US) 2107 Industrial Drive, Bryan, Ohio 43506 p: 419.636.6705 www.ceelectronics.com

C.E. Electronics, Ltd. (UK) P.O. Box 1679 Marlow, Bucks SL7 3ZG, UK p: +44 (0) 1628 487633 www.ceelectronics.co.uk