



C.E. Electronics, Inc.
 2107 Industrial Drive
 Bryan, OH 43506
 PH (419) 636-6705 FX (419) 636-2516
 www.ceelectronics.com

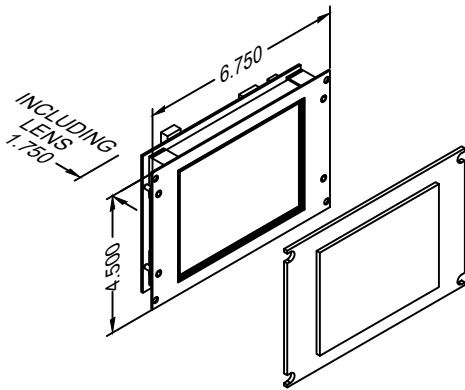
EMN57-BXX

Ver. 5 Rel. 10/28/2024

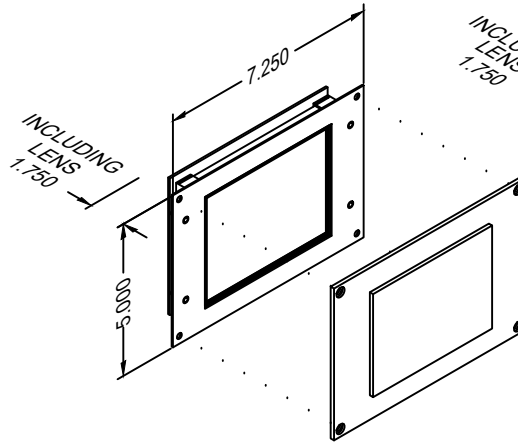
ELITE PI®
Mini

5.7 INCH Elite PI® Mini

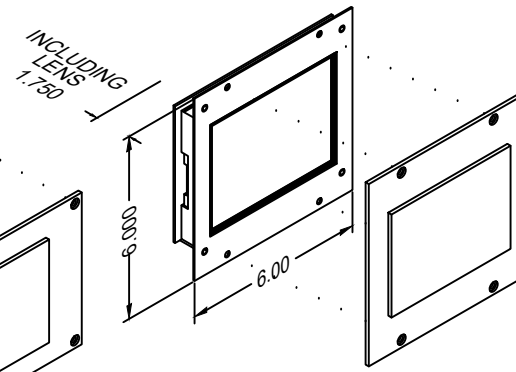
The Elite PI® Mini is a flexible position indicator which can be customized for any building or corporation. This customization can reflect architectural elements, color schemes, and corporate identity. Important information can be presented to passengers regarding the elevator's current position and direction, arrival arrows along with priority messages from the controller. It is also designed to be a destination type display showing floors served when in destination mode. Another longevity feature for these screens is that they have non-movement blanking to help preserve backlight life.



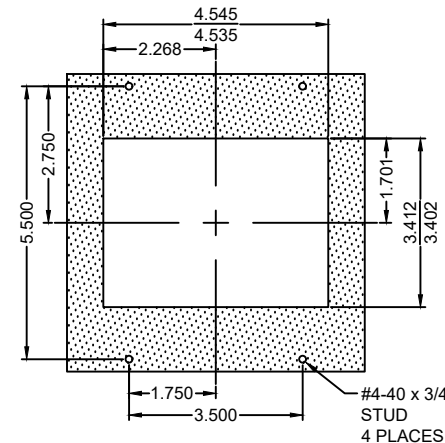
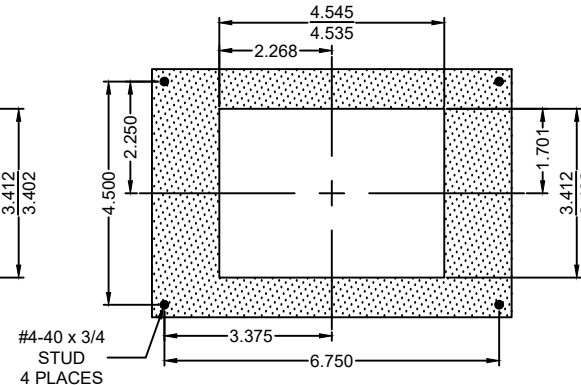
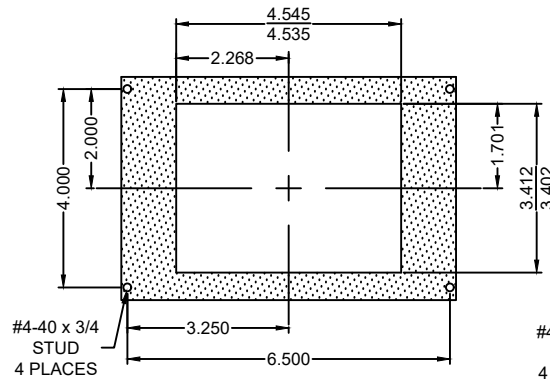
SMALL
 PANEL PREP
 AS VIEWED FROM FRONT



HORIZONTAL
 PANEL PREP
 AS VIEWED FROM FRONT



VERTICAL
 PANEL PREP
 AS VIEWED FROM FRONT



Typical Applications

- Car Operating Panel
- Car Transom
- Lobby / Arrival Arrows
- Destination Display
- Message

Features:

- Voice Capabilities
- Passing Chime Output
- Self Testing
- USB Updatable
- Low Profile
- Destination Display
- Backlight Saver Function / Default On
- MICRO COMM Input

SMALL (standard)

EMN57-BSX RELATED DRAWINGS	
DESCRIPTION	DRAWING NAME
PANEL PREP.	PP57-3
DETAIL DIM.	DD57-3

HORIZONTAL

EMN57-BHX RELATED DRAWINGS	
DESCRIPTION	DRAWING NAME
PANEL PREP.	PP57-1
DETAIL DIM.	DD57-1

VERTICAL

EMN57-BVX RELATED DRAWINGS	
DESCRIPTION	DRAWING NAME
PANEL PREP.	PP57-2
DETAIL DIM.	DD57-2

TO ORDER: - EMN57 - BXX

"H" = HORIZONTAL

"V" = VERTICAL

"S" = SMALL

"X" = NO SPEAKER

"S" = SPEAKER

"G" = GONG SPEAKER

Some features may not be available for your system. Please check with your manufacture for special features. Must be used with a driver.