

EMN43-S6XX

4.3 inch Elite PI® Mini



NOTE: VIEWING AREA

ELITE PI® Mini

4.3 inch Elite PI® Mini

The Elite PI® Mini is a flexible position indicator which can be customized for any building or corporation. This customization can reflect architectural elements, color schemes, and corporate identity. Important information can be presented to passengers regarding the elevator's current position and direction, arrival arrows along with priority messages from the controller. It is also designed to be a destination type display showing floors served when in destination mode.

Another longevity feature for these screens is that they have non-movement blanking to help preserve backlight life.

TYPICAL APPLICATIONS:

- > Car Operating Panel
- > Car Transom
- > Lobby / Arrival
- > Destination Display
- > Messaging

FEATURES:

- > Passing Chime Output
- > USB Updatable
- > Self Testing
- > Low Profile
- > Destination Display
- > Backlight Saver Function
- > MICRO COMM Input
- > Voice Capabilities
- > ASME 17.1 hb-2019 Display Compliant for Ring, Rath & EVAC

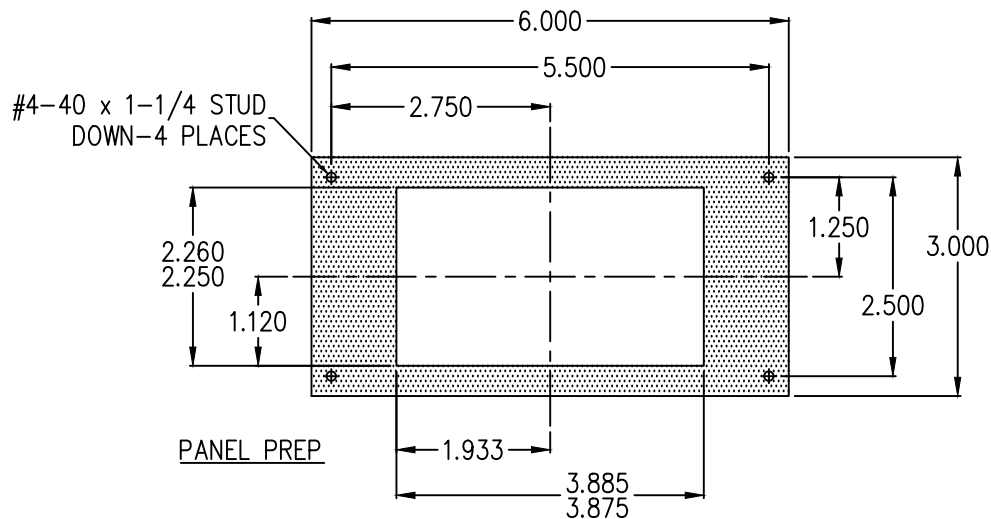
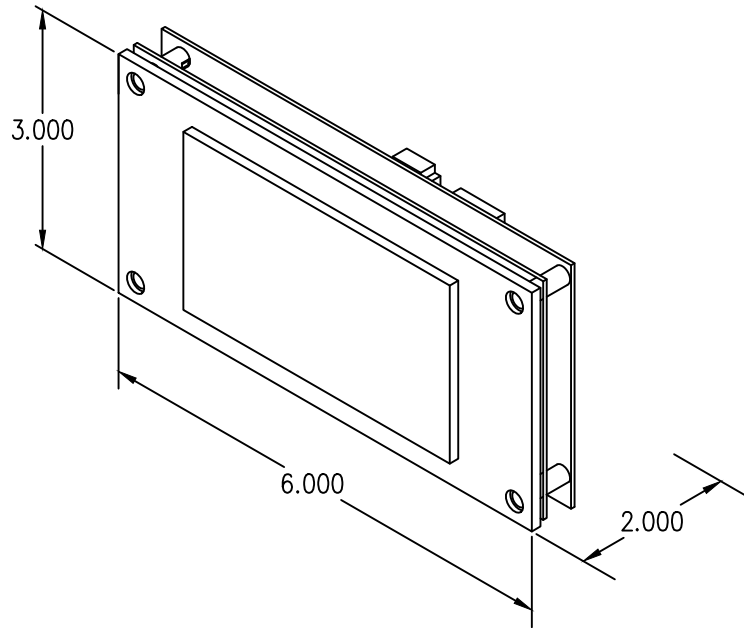


C.E. Electronics, Inc. (US) 2107 Industrial Drive, Bryan, Ohio 43506 p: 419.636.6705 www.ceelectronics.com

C.E. Electronics, Ltd. (UK) P.O. Box 1679 Marlow, Bucks SL7 3ZG, UK p: +44 (0) 1628 487633 www.ceelectronics.co.uk



Listed 5N50
Elevator Accessory



4.3 INCH Elite PI® Mini

The Elite PI® Mini is a flexible position indicator which can be customized for any building or corporation. This customization can reflect architectural elements, color schemes, and corporate identity. Important information can be presented to passengers regarding the elevator's current position and direction, arrival arrows along with priority messages from the controller. It is also designed to be a destination type display showing floors served when in destination mode.

Another longevity feature for these screens is that they have non-movement blanking to help preserve backlight life.

Typical Applications

- Car operating panel
- Car Transom
- Lobby/arrival
- Destination Display
- Messaging

Features:

- Passing chime output
- USB Updatable
- Self Testing
- Low profile
- Destination Display
- Backlight Saver Function
- MICRO COMM Input
- Voice Capabilities
- ASME 17.1 hb-2019 Display Compliant for Ring, Rath & EVAC

TO ORDER: EMN43-S 6 X X

"V"= VERTICAL

"H"= HORIZONTAL

<BLANK>= NO SPEAKER

"S"= 3 INCH SPEAKER

"G"= GONG TONE SPEAKER

*Note: This display does not have the standard 4.3 display side lights.

| BASIC SLIM RELATED DRAWINGS | |
|-----------------------------|--------------|
| DESCRIPTION | DRAWING NAME |
| PANEL PREP. | 104-7095PP |