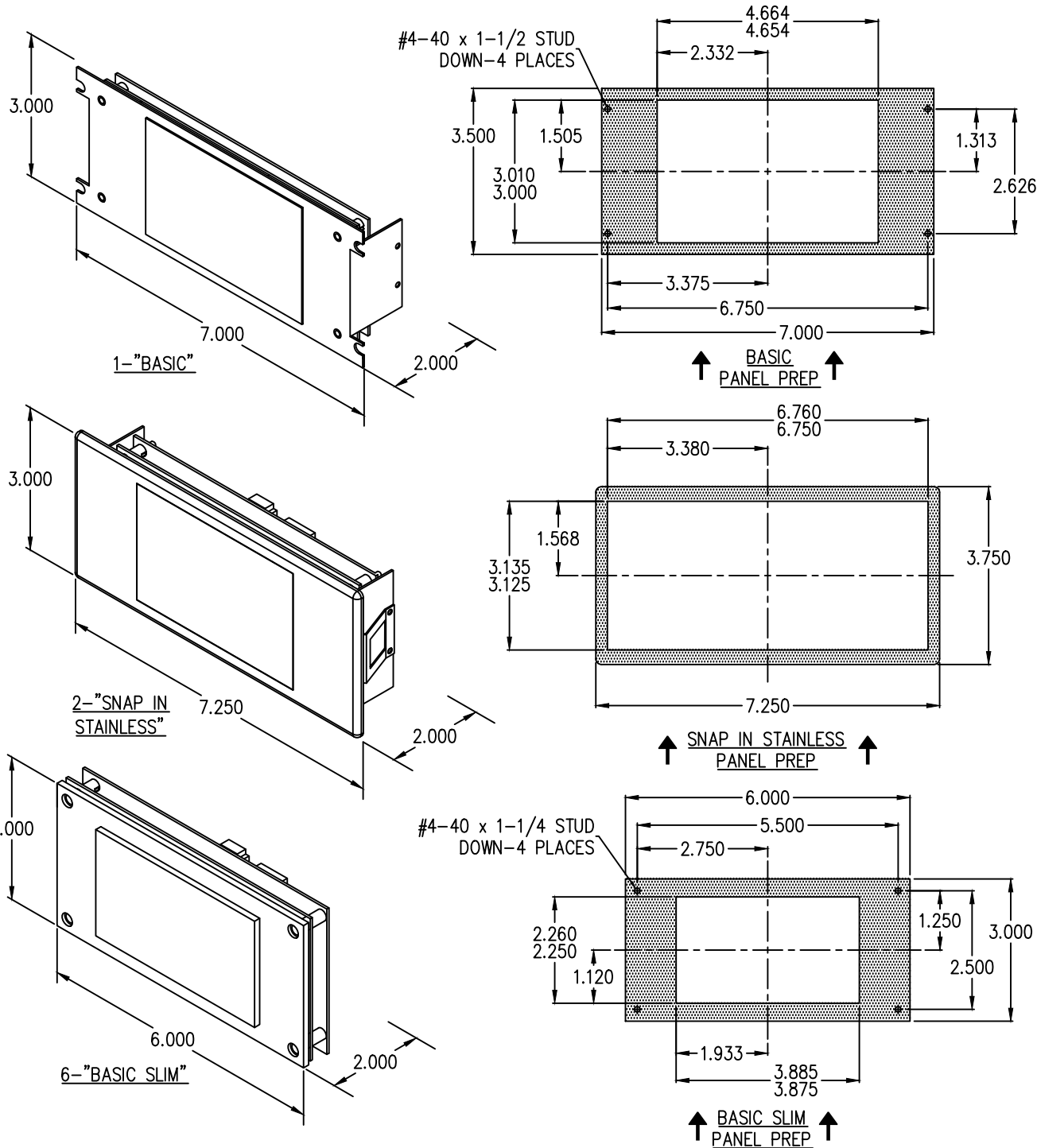




EMN43-BXX

Ver. 12 Rel. 10/28/2024

ELITE PI®
Mini



4.3 INCH Elite PI® Mini

The Elite PI® Mini is a flexible position indicator which can be customized for any building or corporation. This customization can reflect architectural elements, color schemes, and corporate identity. Important information can be presented to passengers regarding the elevator's current position and direction, arrival arrows along with priority messages from the controller. It is also designed to be a destination type display showing floors served when in destination mode.

Another longevity feature for these screens is that they have non-movement blanking to help preserve backlight life.

Typical Applications

- Car Operating panel
- Car Transom
- Lobby/Arrival
- Destination Display
- Messaging

Features:

- Passing Chime Output
- USB Updatable
- Self Testing
- Low Profile
- Destination Display
- Backlight Saver Function
- Voice Capabilities
- MICRO COMM input

TO ORDER: EMN43-B X X

"1" = BASIC
 "2" = SNAP IN STAINLESS
 "6" = BASIC SLIM

"V" = VERTICAL
 "H" = HORIZONTAL

BASIC RELATED DRAWINGS	
DESCRIPTION	DRAWING NAME
PANEL PREP.	PP43-1
DETAIL DIM.	DD43-1
SNAP-IN RELATED DRAWINGS	
DESCRIPTION	DRAWING NAME
PANEL PREP.	PP43-2
DETAIL DIM.	DD43-2
BASIC SLIM RELATED DRAWINGS	
DESCRIPTION	DRAWING NAME
PANEL PREP.	104-7095PP