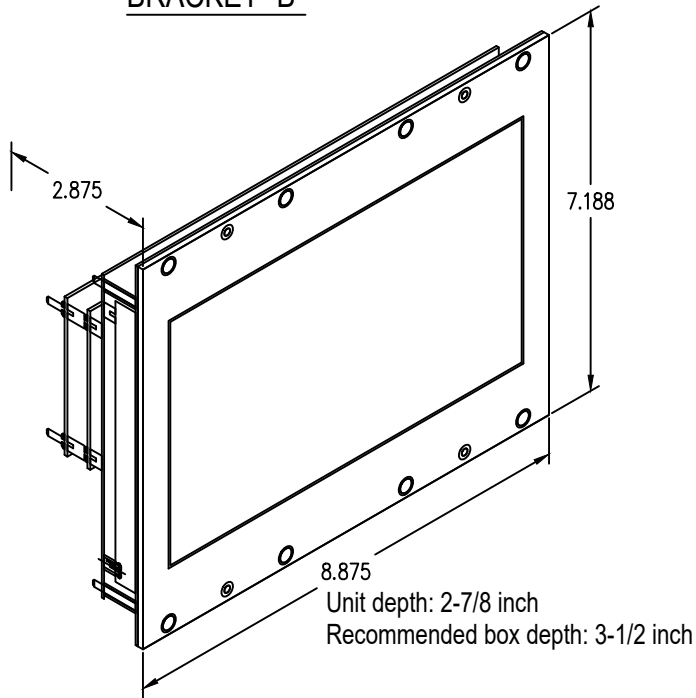
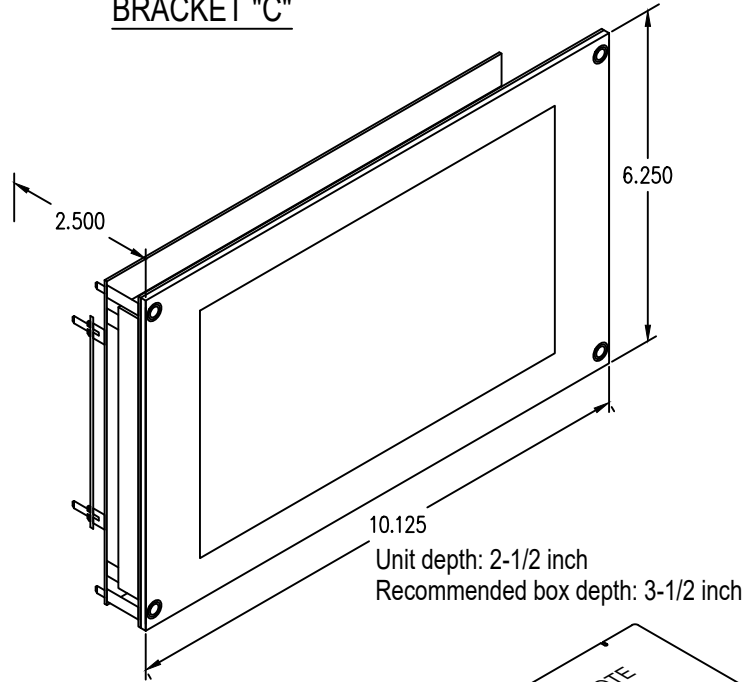




BRACKET "B"



BRACKET "C"



9.0 INCH Elite PI[®] PRO

The MICRO COMM[®] Elite PI[®] PRO is the most flexible position indicator available. With the Elite PI[®] Designer software, you can PROgram your own position indicator by customizing background colors and logos, messages, and arrow styles. This system offers full network support with our ENET, giving you the ability to PROgram the screen from any computer in the building.

In addition to design flexibility, the MICRO COMM[®] Elite PI[®] PRO can display floor, priority, and time-based messages.

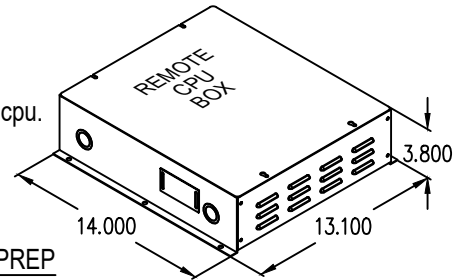
Typical Applications

- Car-op panel
- Transom car
- Lobby

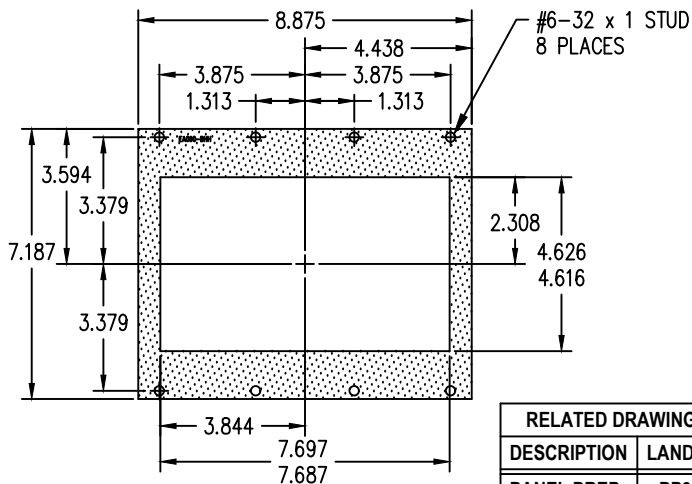
Features:

- Fully customizable and PROgrammable
- Elite PI[®] software
- Streaming video capabilities with an HDINT video encoder
- Passing chime output
- Self-testing
- Low profile
- Multi-car capabilities for hallway use
- MICRO COMM serial link input
- One remote cpu box can support 2 screens
- CPU box can be up to 25 feet from screen

This unit must be used with remote cpu.
 CE # ER090-XXX

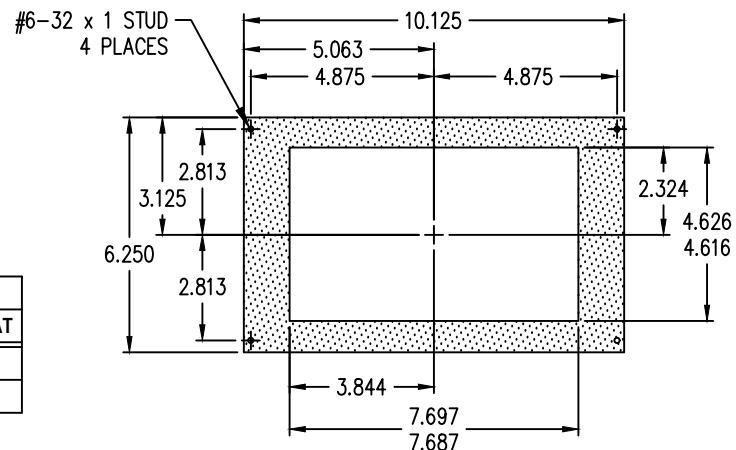


BRACKET "B" - PANEL PREP



RELATED DRAWINGS - BRACKET "B"		
DESCRIPTION	LANDSCAPE	PORTRIAT
PANEL PREP.	PP90-3	PP90-4
DETAIL DIM.	DD90-3	DD90-4

BRACKET "C" - PANEL PREP



RELATED DRAWINGS - BRACKET "C"		
DESCRIPTION	LANDSCAPE	PORTRIAT
PANEL PREP.	PP90-5	PP90-6
DETAIL DIM.	DD90-5	DD90-6

TO ORDER: - EA090 - XHX2

B = BRACKET "B"

C = BRACKET "C"

"H" = HORIZONTAL

"V" = VERTICAL