

SECURITY PROXIMITY READER



SECMP

Hand held programmer unit allows programming of all C.E. security access systems. LCD display prompts users to aid in programming functions. Programmer memory may then be downloaded to multiple security systems without reentering data.

- > Add, delete users
- > Change codes
- > Adjust timing
- > Copy Memory
- > Paste Memory

PROXIMITY READER



KEYTAG



SECURITY SYSTEM CARD

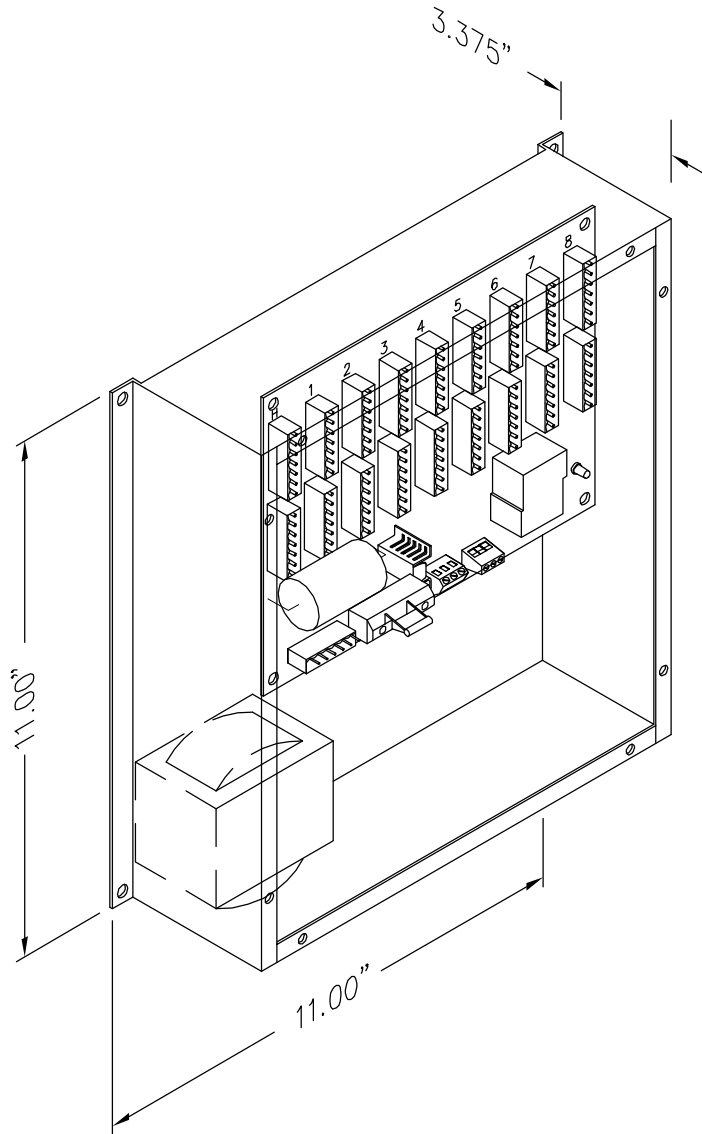




SECPS-XX

Ver. 1 Rel. 05/14/02

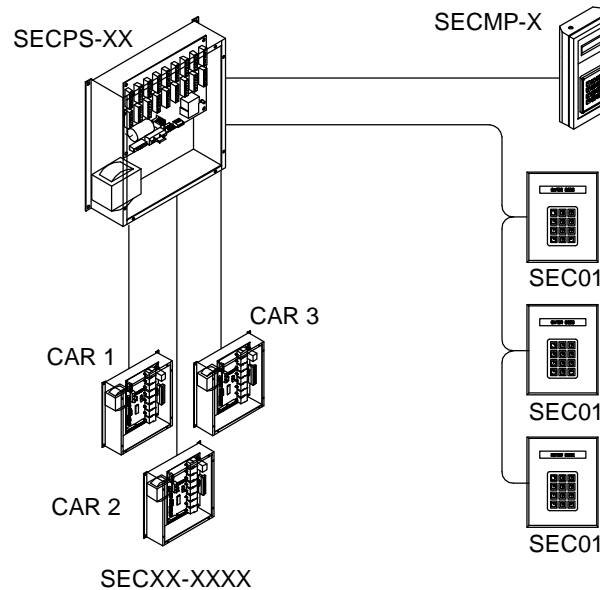
SECURITY
 BUTTON INTERFACE



REMOTE PROGRAM STATION

This unit allows you to power and program multiple units from a remote location. Typical applications would include security access for hall call buttons, stairwells, garage, etc. Up to 16 SECO1-XXX may be daisy chained together and programmed from this central location. 8 elevator car units can also be hooked to this module for programming. An onboard override will turn off the remote powered SECO1 units as long as an external input signal is present. Must purchase hand held unit for actual programming.

TYPICAL APPLICATION



Features:

- Easy installation
- Pluggable connections
- RS485 Interface
- Uses hand held programmer
- Programming ports for up to 8 cars
- On board power supply capable of driving 16 remotes SECO1

TO ORDER - SPECIFY SECPS- X X

HALL AND MAXIMUM NUMBER OF CARS:

- "2"
- "4"
- "8"

OVERRIDE INPUT SIGNAL VOLTAGE:

- "A" = 6-20VAC/DC, 24VAC
- "B" = 24-48VDC, 48VAC
- "C" = 120VAC
- "D" = 125VDC
- "S" = DRY CONTACT

NOTE:

1. If a special voltage is required, please consult factory.

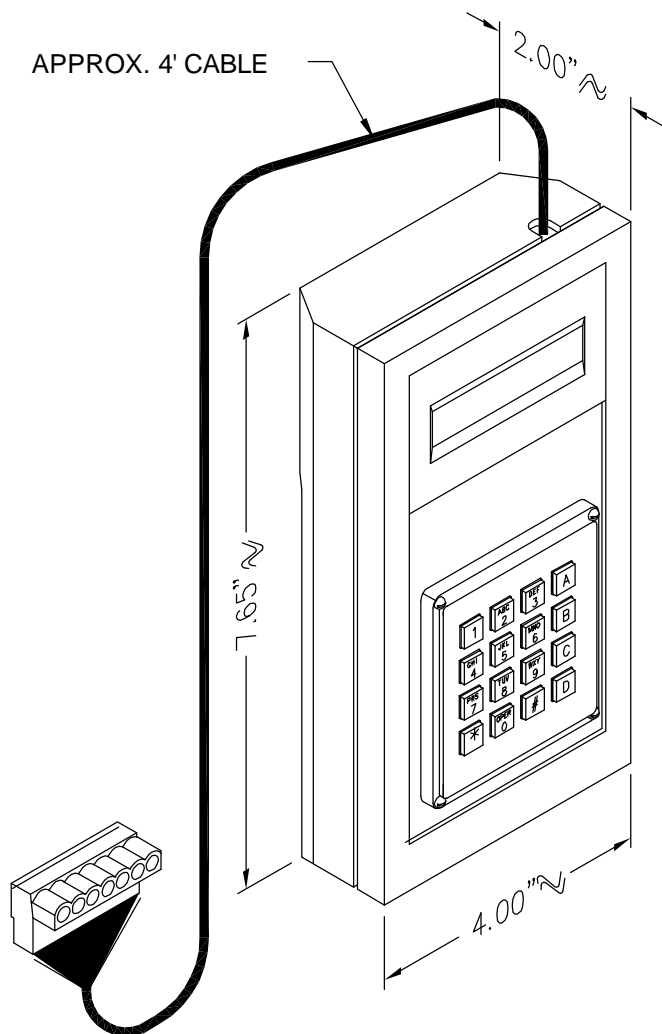


C.E. Electronics, Inc.
2107 Industrial Drive
Bryan, OH 43506
PH (419) 636-6705 FX (419) 636-2516
www.ccelectronics.com

SECMP

Ver. 1 Rel. 06/18/02

SECURITY
BUTTON INTERFACE



MASTER PROGRAMMER

Hand held programmer unit allows programming of all C.E. security access systems. LCD display prompts user to aid in programming functions. Programmer memory may then be downloaded to multiple security systems without reentering data.

Features:

- Add, delete users
- Change codes
- Adjust timing
- Copy Memory
- Paste Memory

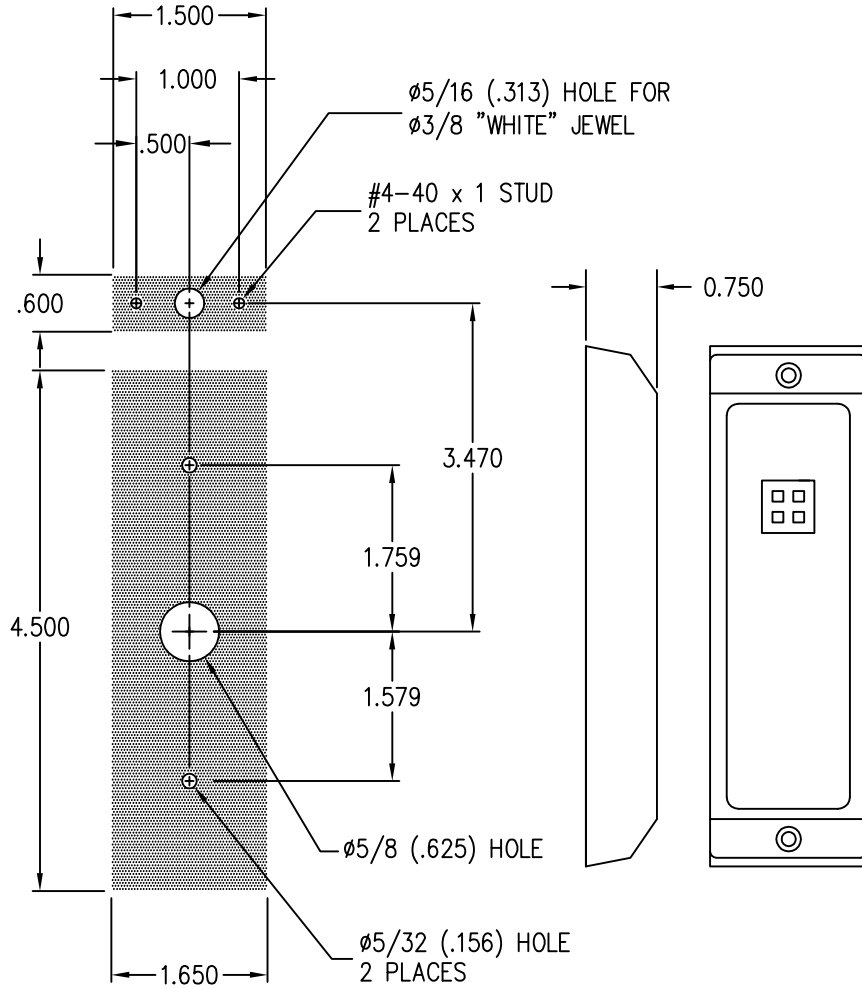
TO ORDER - SPECIFY SECMP

NOTE:

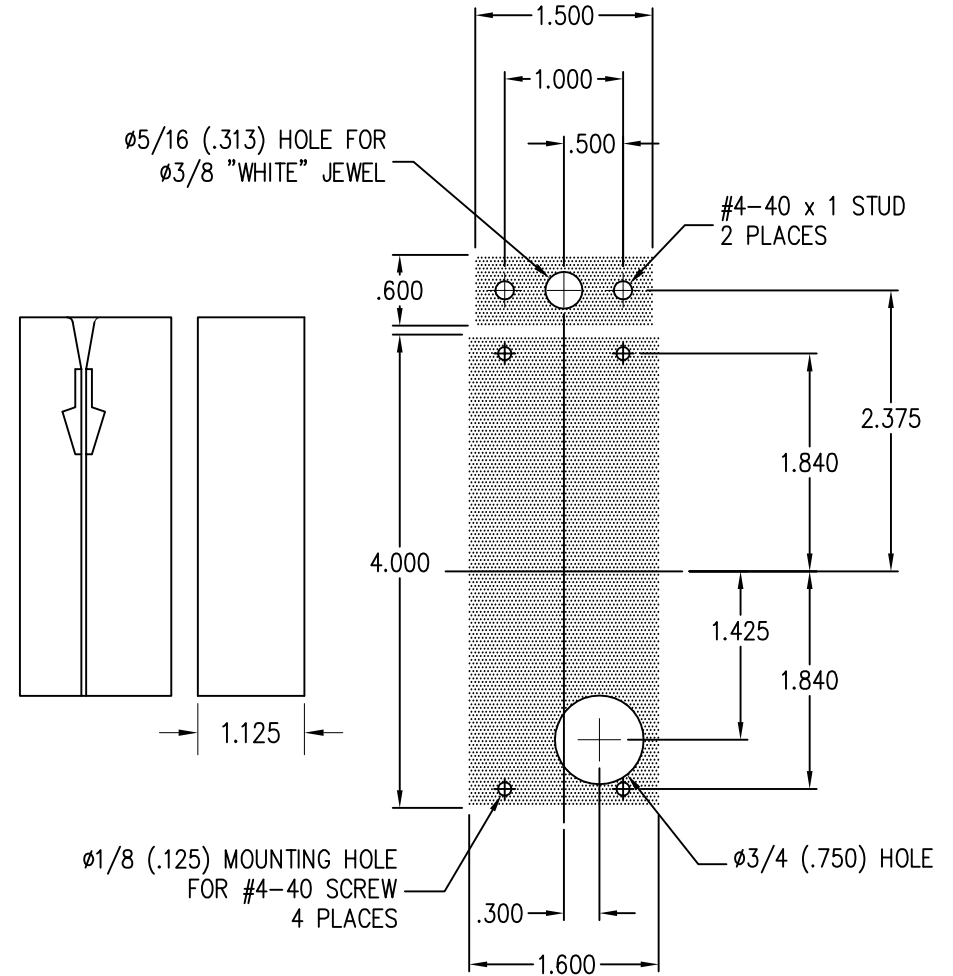
1. Required when purchasing a Card Reader system

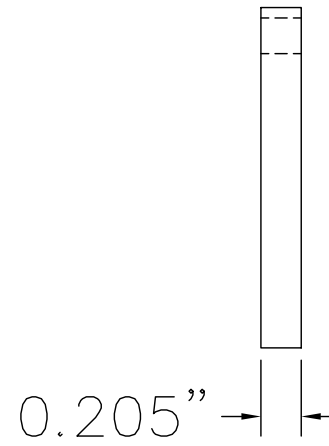
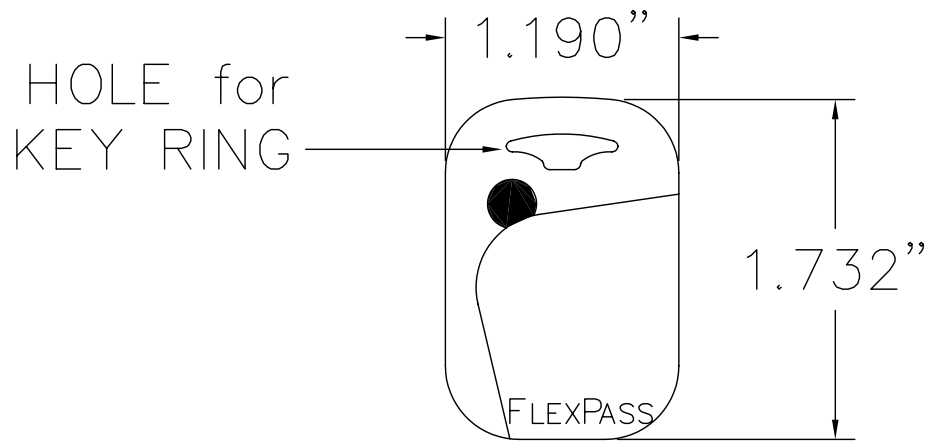


DETAILS for PROXIMITY READER




DETAIL for SWIPE READER





LENS NUMBER:	BOARD # & REV:
APPROVED BY:	
Signature: _____	
Date: _____	
Company: _____	

DATE DRAWN: 05/21/03	LAST DATE REVISED	SCALE NONE	PART #
DRAWN BY: K.L.S.	TOLERANCE UNLESS OTHERWISE SPECIFIED: N/A		 C.E. ELECTRONICS, INC. 2107 Industrial Drive Bryan, Ohio 43506 (419) 636-6705
REQUESTED BY: S.C.	TOLERANCE FOR CUTOUT (WINDOW): N/A		
TITLE: SECURITY SYSTEM CARD			DWG. NO. CARD_KEYTAG
			REV: