

**> 70100176 SECURITY**  
PROXIMITY WITH LED FLUSH



**C.E. Electronics, Inc.**

Bryan, OH, USA

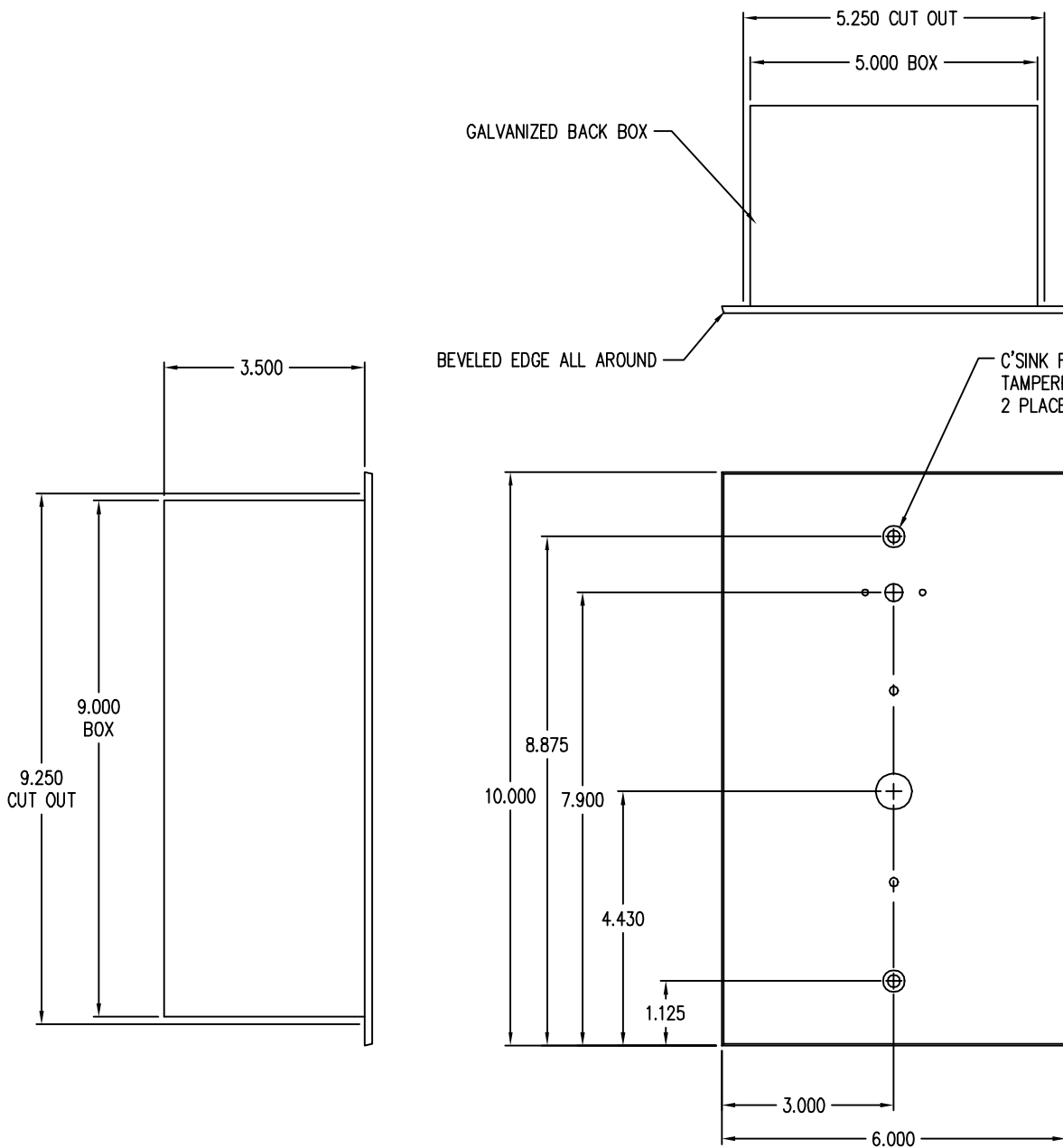
Ph: (419) 636-6705

[www.ceelectronics.com/security](http://www.ceelectronics.com/security)

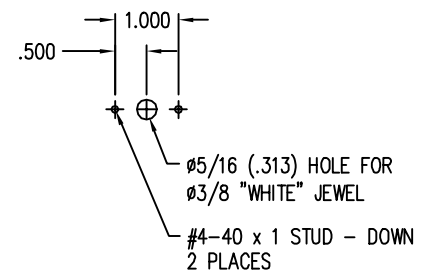
Marlow, Bucks, UK

**C.E. Electronics Ltd.**

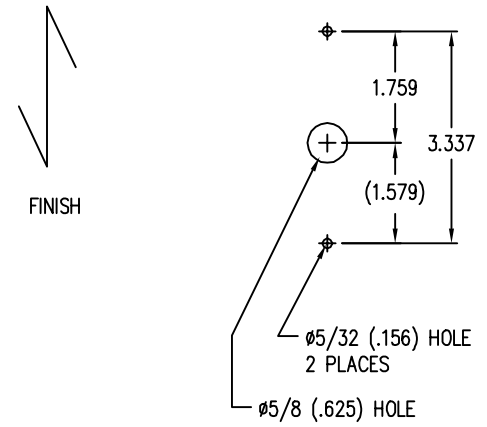
Ph: +44 (0) 1628 487633



Ø3/8 JEWEL  
CUT OUT AND STUDDING DETAIL



PROXIMITY CARD READER  
CUT OUT AND STUDDING DETAIL

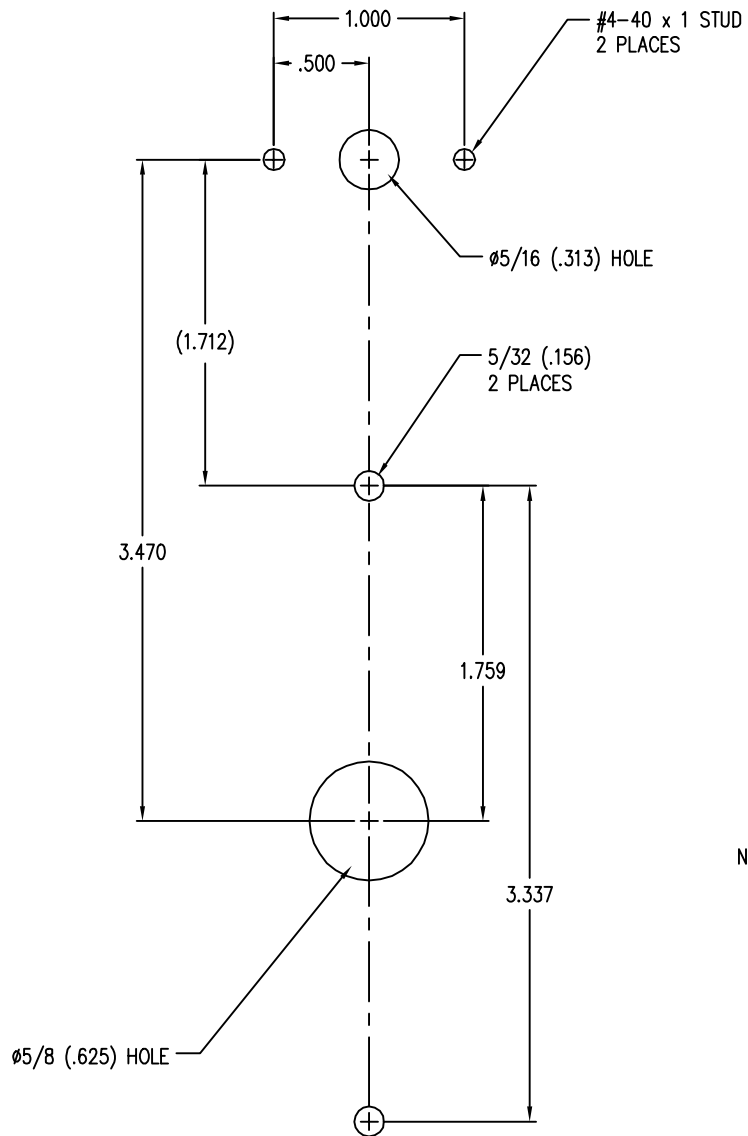


FINISH

MATERIAL: 11 GA (.125) STAINLESS STEEL  
 FINISH: #4 BRUSHED - VERTICAL GRAIN  
 NOTE: VENDOR TO SUPPLY Ø3/8 "WHITE" JEWEL  
 VENDOR TO SUPPLY TINNERMAN CLIPS AND TAMPERPROOF SCREWS

DATE DRAWN: 8/7/2017	LAST DATE REVISED: -	SCALE NTS	PART #
DRAWN BY: RNT	TOLERANCE UNLESS OTHERWISE SPECIFIED: ±.010	 C.E. ELECTRONICS, INC. 2107 Industrial Drive Bryan, Ohio 43506 (419) 636-6705	
REQUESTED BY: -	TOLERANCE FOR CUTOFF (WINDOW): -		
TITLE: READER BOX -SEC01; BRD # 2463		DWG. NO. 70100176	REV. .

LENS NUMBER:	BOARD # & REV:
APPROVED BY:	
Signature:	
Date:	
Company:	



SHORT PROX READER  
CUT OUT and STUD DETAIL

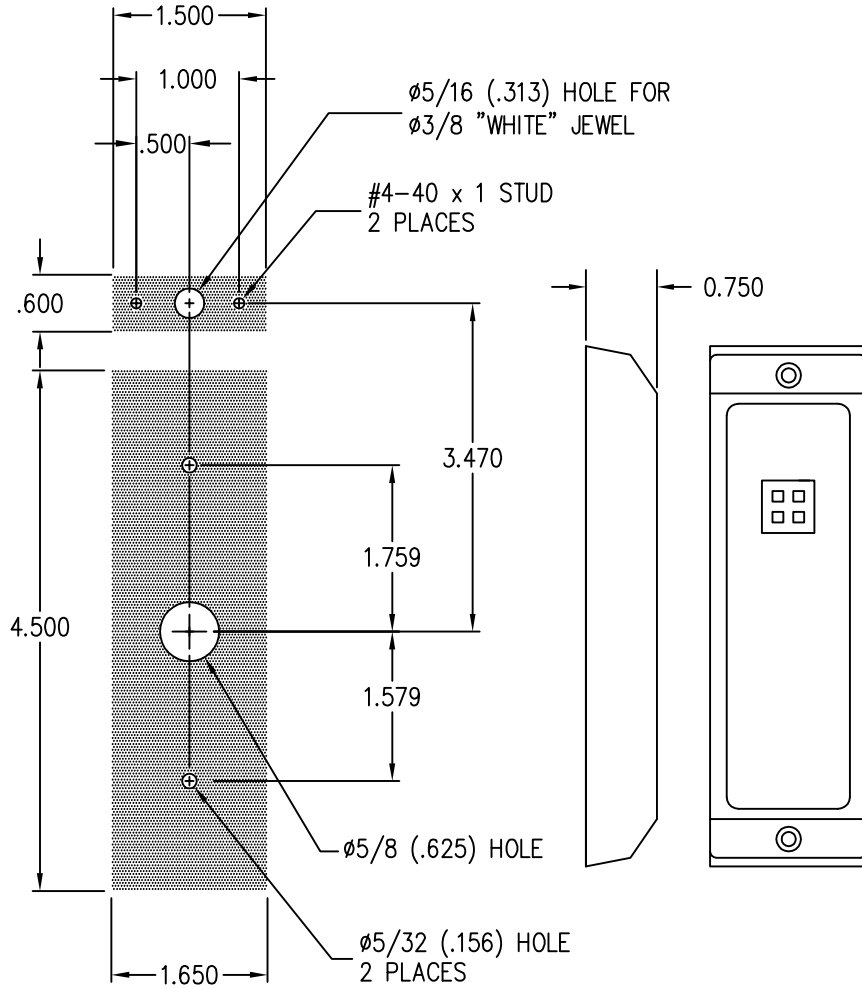
NOTE: SES PROXIMITY CARD READER; CE # 70400007

LENS NUMBER: _____	BOARD # & REV: _____
APPROVED BY: _____	
Signature: _____	
Date: _____	
Company: _____	

DATE DRAWN: 8/18/2017	LAST DATE REVISED -	SCALE NTS	PART # -
DRAWN BY: RNT	TOLERANCE UNLESS OTHERWISE SPECIFIED: ±.010		 C.E. ELECTRONICS, INC. 2107 Industrial Drive Bryan, Ohio 43506 (419) 636-6705
REQUESTED BY: -	TOLERANCE FOR CUTOUT (WINDOW): -		
TITLE: SHORT PROX READER - PANEL PREP			DWG. NO. 70400007-PP



## DETAILS for PROXIMITY READER



## DETAIL for SWIPE READER

