

> 70100175 SECURITY
SECURITY WITH PROXIMITY AND LED



C.E. Electronics, Inc.

Bryan, OH, USA

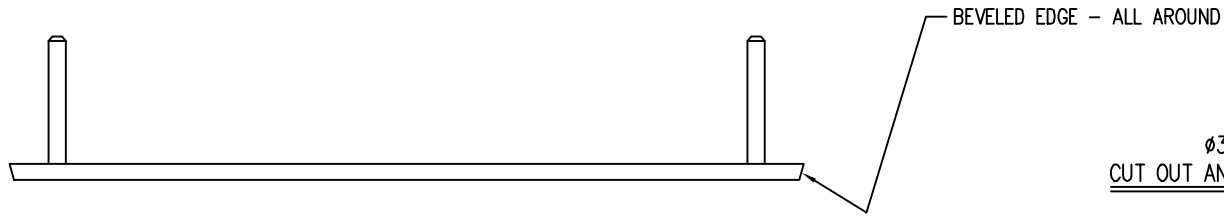
Ph: (419) 636-6705

www.ceelectronics.com/security

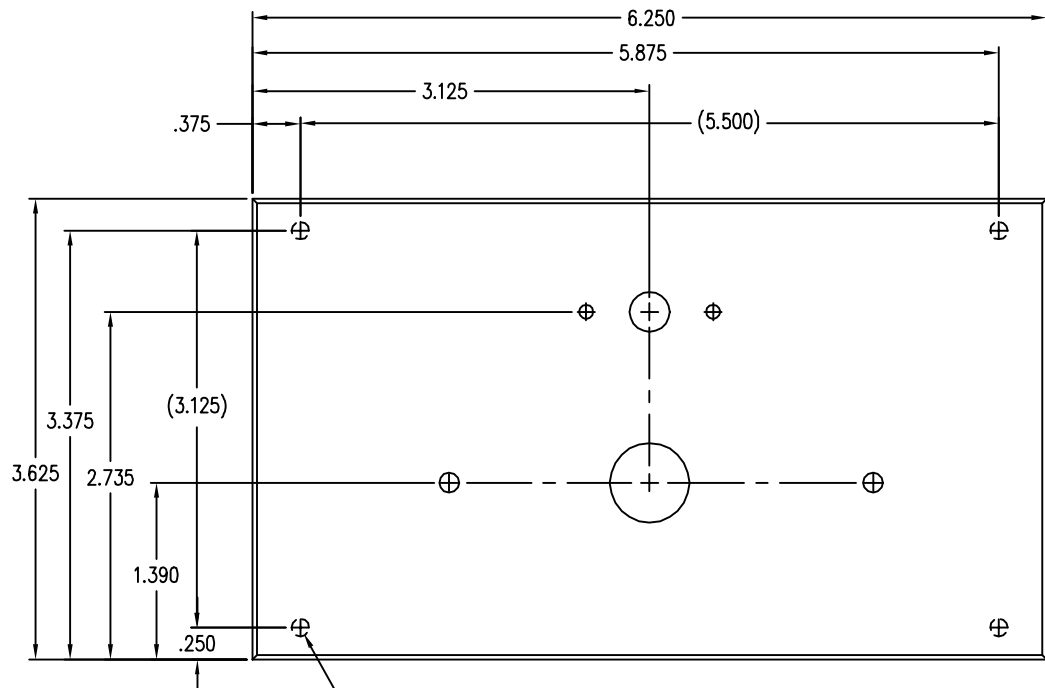
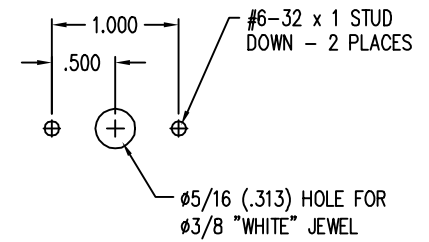
Marlow, Bucks, UK

C.E. Electronics Ltd.

Ph: +44 (0) 1628 487633



Ø3/8 JEWEL
CUT OUT AND STUDDING DETAIL

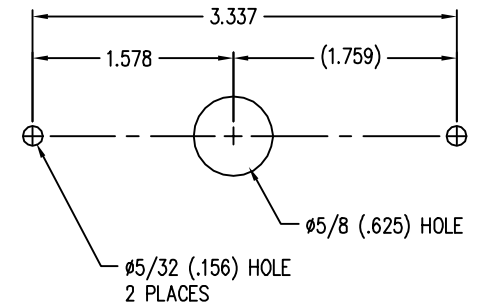


#6-32 x 1 STUD - DOWN
4 PLACES

MATERIAL: STAINLESS STEEL
 FINISH: #4 BRUSHED - VERTICAL GRAIN
 NOTE: NO BACK BOX REQUIRED
 VENDOR TO SUPPLY "WHITE" 3/8 INCH JEWEL w/ RETAINING RING

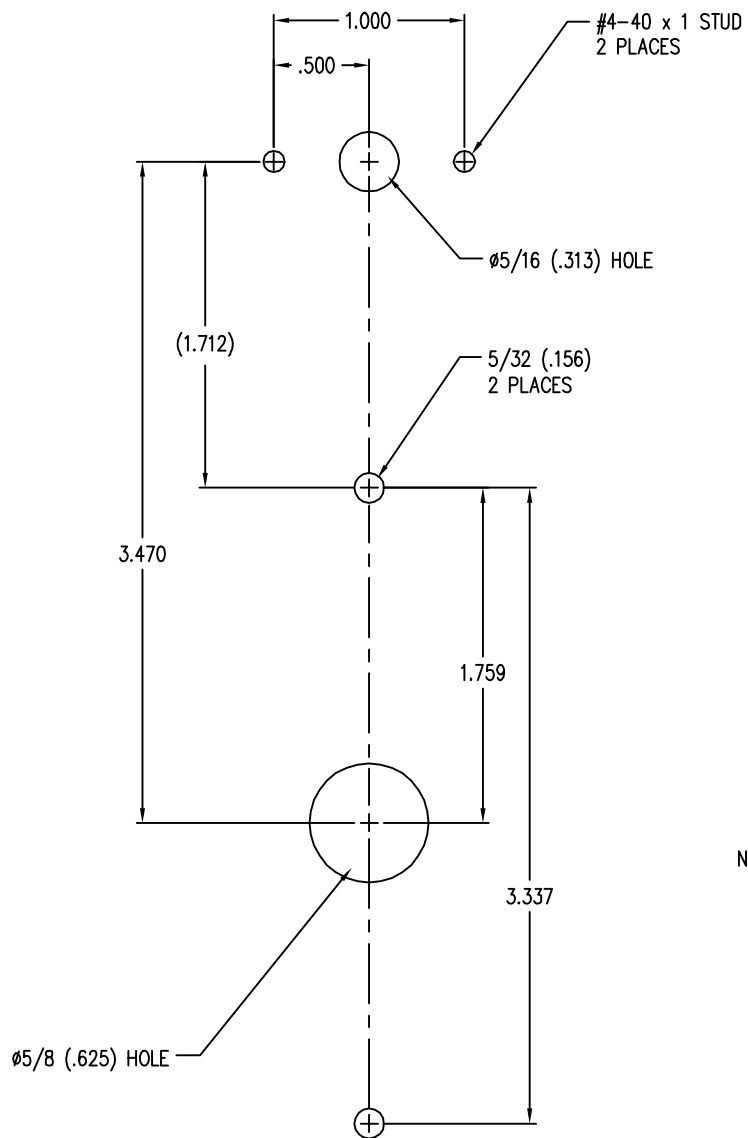
PROXIMITY CARD READER
CUT OUT AND STUDDING DETAIL

FINISH
↕



LENS NUMBER:	BOARD # & REV:
APPROVED BY:	
Signature:	
Date:	
Company:	


DATE DRAWN: 8/7/2017	LAST DATE REVISED:	SCALE NTS	PART #
DRAWN BY: RNT	TOLERANCE UNLESS OTHERWISE SPECIFIED: ±.010	C.E. ELECTRONICS, INC. 2107 Industrial Drive Bryan, Ohio 43506 (419) 636-6705	
REQUESTED BY:	TOLERANCE FOR CUTOUT (WINDOW):		
TITLE: PROXIMITY READER FACEPLATE		DWG. NO. 70100175	REV:



SHORT PROX READER
CUT OUT and STUD DETAIL

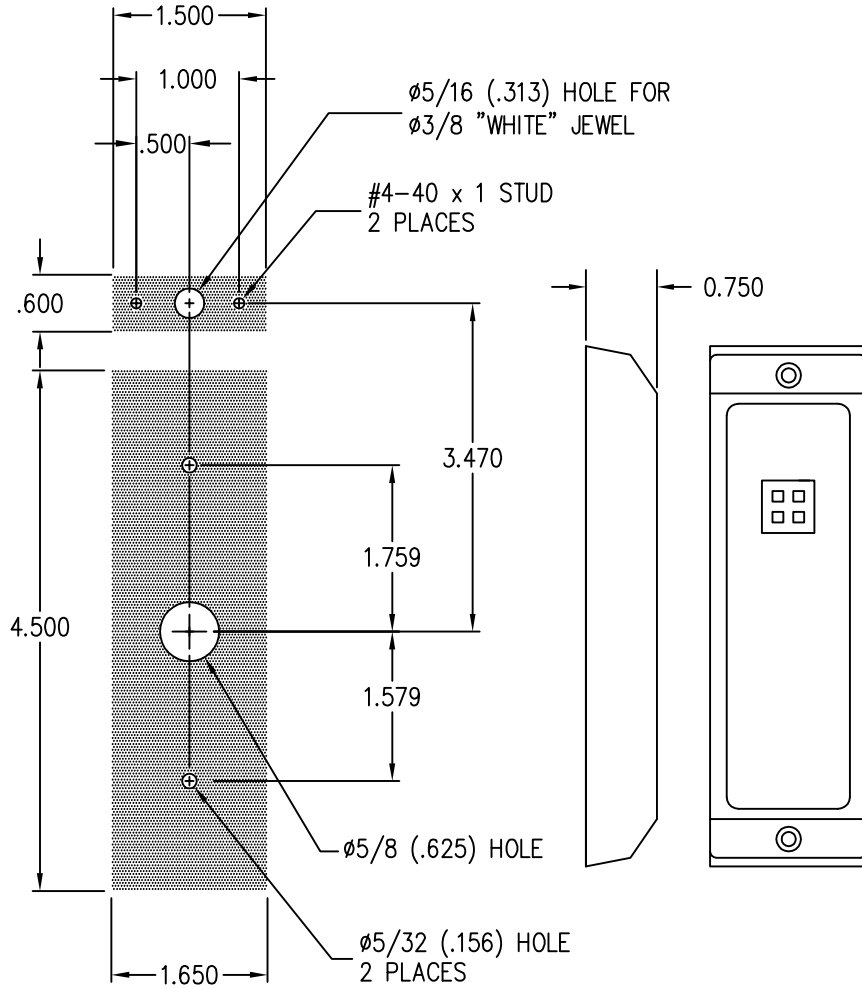
NOTE: SES PROXIMITY CARD READER; CE # 70400007

LENS NUMBER:	BOARD # & REV:
APPROVED BY:	
Signature:	
Date:	
Company:	

DATE DRAWN: 8/18/2017	LAST DATE REVISED: -	SCALE NTS	PART #
DRAWN BY: RNT	TOLERANCE UNLESS OTHERWISE SPECIFIED: ±.010		 C.E. ELECTRONICS, INC. 2107 Industrial Drive Bryan, Ohio 43506 (419) 636-6705
REQUESTED BY:	TOLERANCE FOR CUTOUT (WINDOW):		
TITLE: SHORT PROX READER - PANEL PREP			DWG. NO. 70400007-PP



DETAILS for PROXIMITY READER



DETAIL for SWIPE READER

