

**> 70100153 SECURITY**  
SURFACE MOUNT PROXIMITY READER / LED



**C.E. Electronics, Inc.**  
C.E. Electronics, Ltd.  
International Lift Equipment (ILE)

2107 Industrial Drive Bryan, OH 43506  
Marlow, Bucks, UK  
Highams Park, London, UK

ph: 419.636.6705  
ph: +44 (0) 1628 487633  
ph: 0208 527 9669

[www.cееlectronics.com](http://www.cееlectronics.com)  
[www.cееlectronics.co.uk](http://www.cееlectronics.co.uk)  
[www.ileweb.com](http://www.ileweb.com)





C.E. Electronics, Inc.  
 2107 Industrial Drive  
 Bryan, OH 43506  
 PH (419) 636-6705 FX (419) 636-2516  
 www.ceelectronics.com

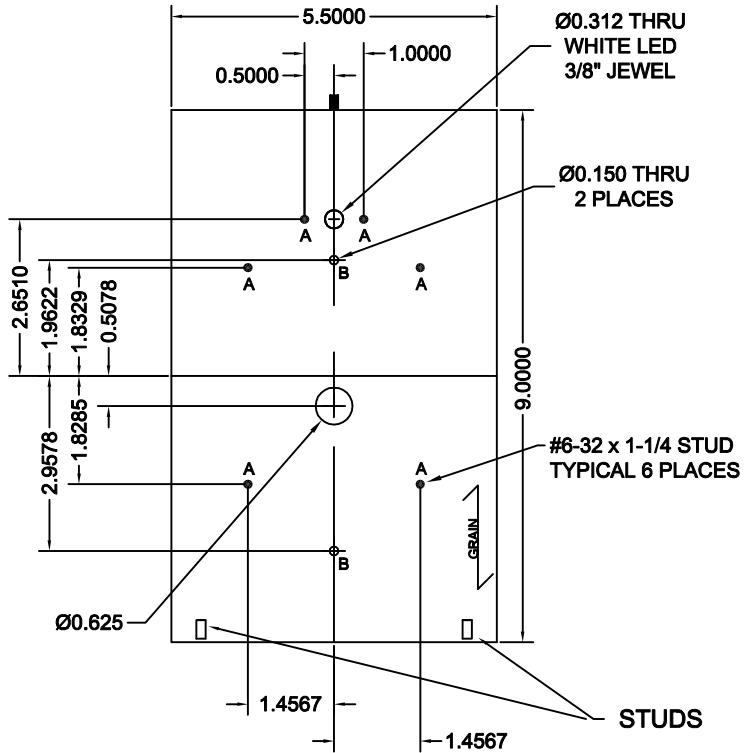
# 70100153

Ver. 1 Rel. 08/11/2011

**METAL**

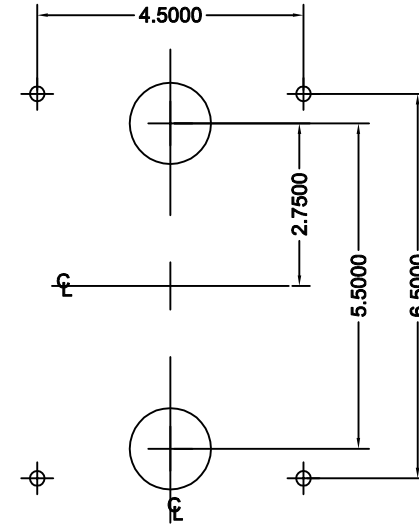
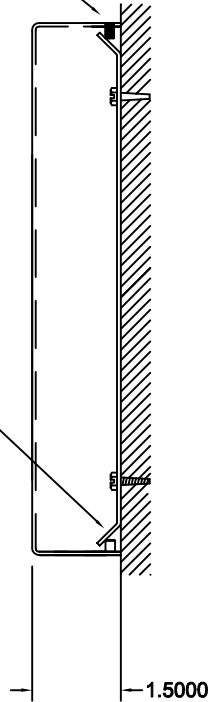
## SURFACE MOUNT PROX READER W/LED

### COVER PLATE



#6-32 ALLEN HD SET SCREWS

MOUNTING PLATE



BACKPLATE  
 CUT-OUT & MTG. DETAIL

**NOTES:**

- #4 STAINLESS STEEL, PAN TYPE COVER, 16 GAUGE .060
- VERTICAL GRAIN
- BACK PLATE INCLUDED

**VENDOR TO SUPPLY AND INSTALL:**

LED - WHITE 3/8" JEWEL ONLY WITH RETAINING RING





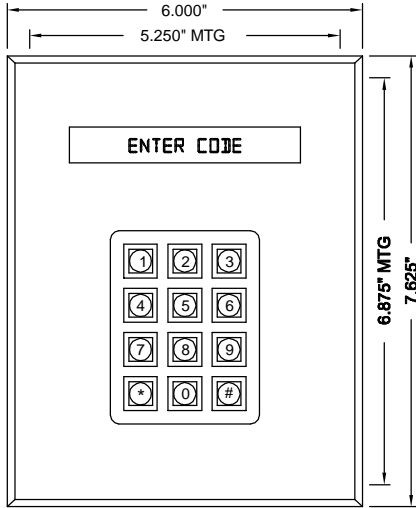
# SECXX-DETAIL 1

Ver. 3 Rel. 3/08/10

SECURITY  
 BUTTON INTERFACE

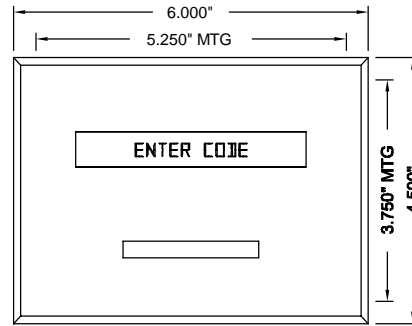
70100013

## STANDARD STAINLESS STEEL COVERPLATES



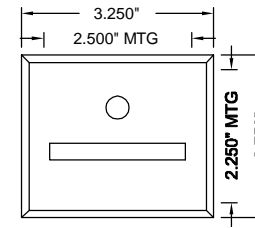
MIN DEPTH: 1.9"

70100014



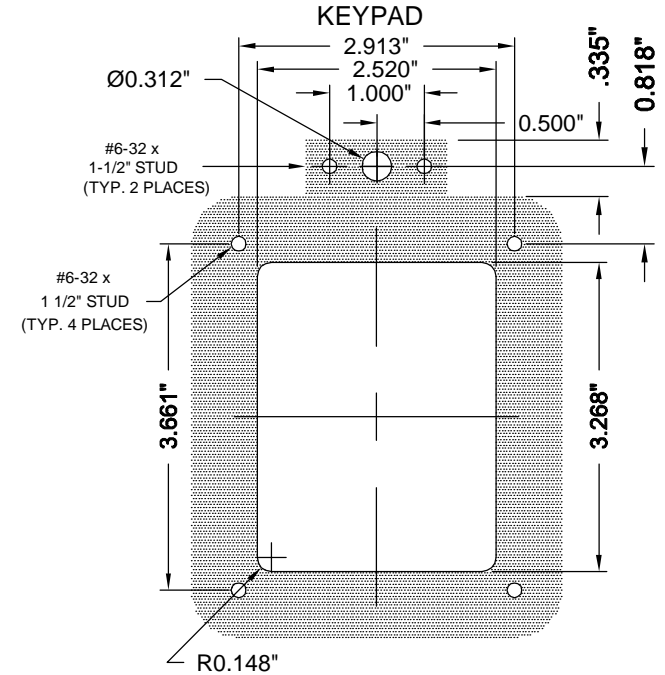
MIN DEPTH: 3.3"

70100015



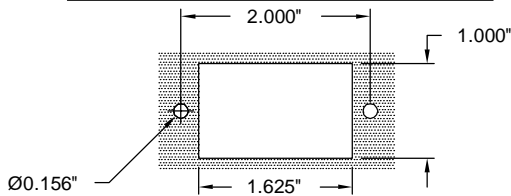
MIN DEPTH: 3.3"

## DETAILS FOR FLUSH MOUNTING

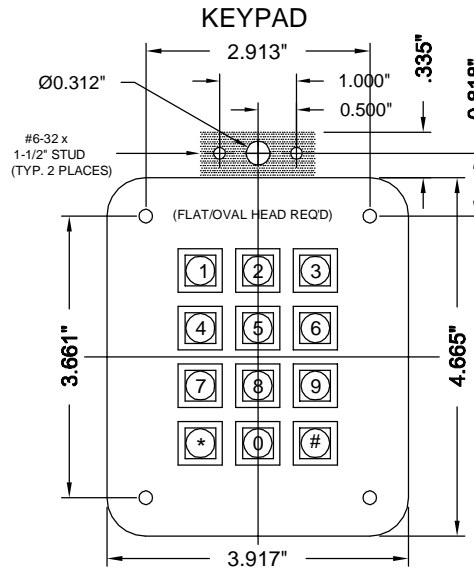


MIN CLEARANCE: 4.0\"W x 4.7\"H x 1.0\"D  
 WHEN USED WITH SEC01, DEPTH  
 WILL CHANGE FROM 1.0\" TO 1.9\".

## DETAIL FOR ATTENDANT CABLE

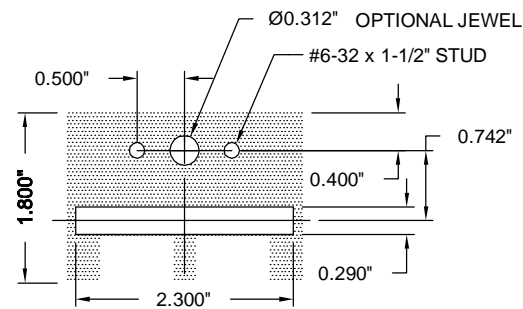


## DETAIL FOR SURFACE MOUNTING



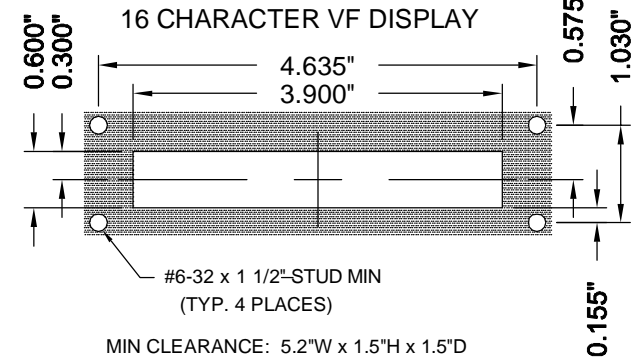
MIN CLEARANCE: 4.0\"W x 5.0\"H x 1.25\"D  
 WHEN USED WITH SEC01, DEPTH  
 WILL CHANGE FROM 1.25\" TO 1.6\".

## DETAIL FOR CARD READER



MIN CLEARANCE: 2.5\"W x 1.8\"H x 3.3\"D

## DETAIL FOR DISPLAY



MIN CLEARANCE: 5.2\"W x 1.5\"H x 1.5\"D