

> 70100036 SECURITY
SURFACE MOUNT COVERPLATE FOR KEYPAD WITH LED



C.E. Electronics, Inc.

Bryan, OH, USA

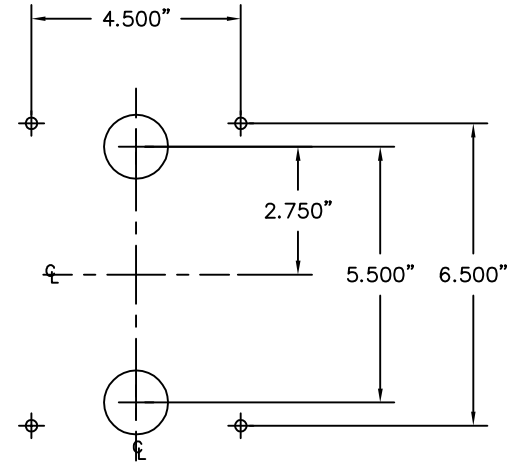
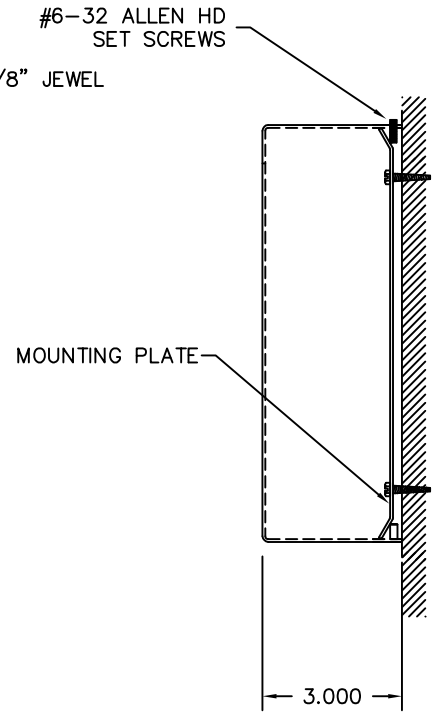
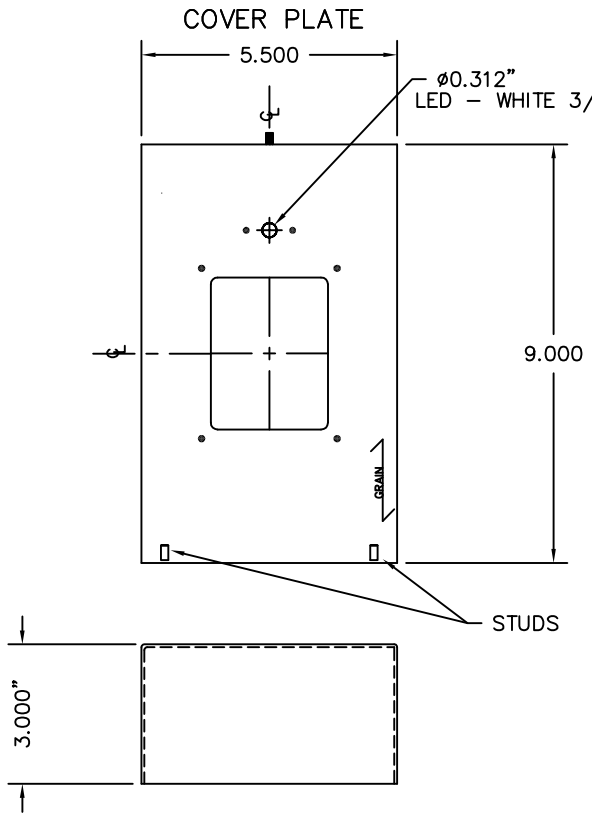
Ph: (419) 636-6705

www.ceelectronics.com/security

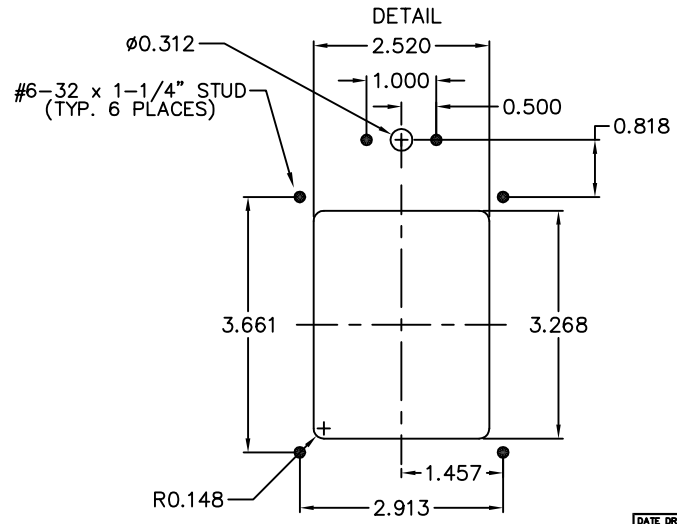
Marlow, Bucks, UK

C.E. Electronics Ltd.

Ph: +44 (0) 1628 487633



BACKPLATE
CUT-OUT & MTG. DETAIL



NOTES:

#4 STAINLESS STEEL, PAN TYPE COVER, 16 GAUGE .060

VERTICAL GRAIN

BACK PLATE INCLUDED

LENS NUMBER:	BOARD # & REV:
APPROVED BY:	
Signature:	
Date:	
Company:	

DATE DRAWN: 12/06/99	LAST DATE REVISED: 1/31/2011	SCALE NONE	PART #
DRAWN BY: K.L.S.	TOLERANCE UNLESS OTHERWISE SPECIFIED: +0.015, -0.015		 C.E. ELECTRONICS, INC. 614 East Edgerton Street Bryan, Ohio 43506 (419) 636-8705
REQUESTED BY: J.P.	TOLERANCE FOR CUTOUT (WINDOW): +0.020, -0.000		
TITLE: COV & BOX SURF MT SS4 KEYPAD/LED		DWG. NO. 70100036	REV: B



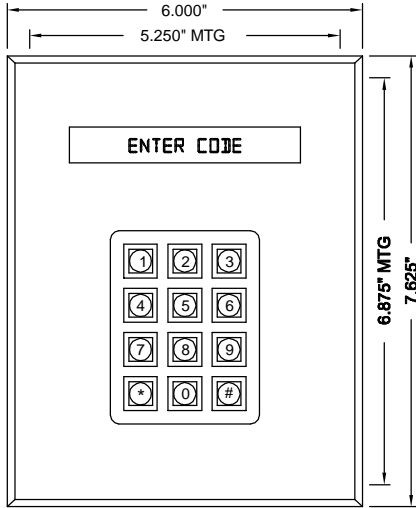
SECXX-DETAIL 1

Ver. 3 Rel. 3/08/10

SECURITY
 BUTTON INTERFACE

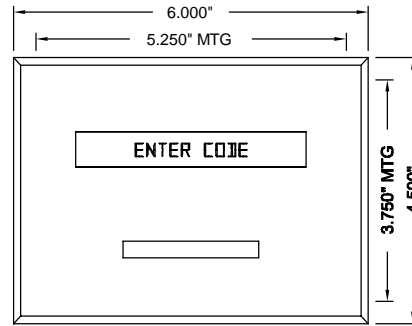
70100013

STANDARD STAINLESS STEEL COVERPLATES



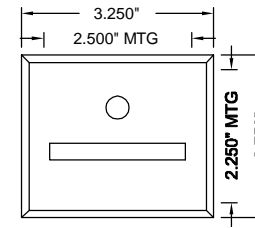
MIN DEPTH: 1.9"

70100014



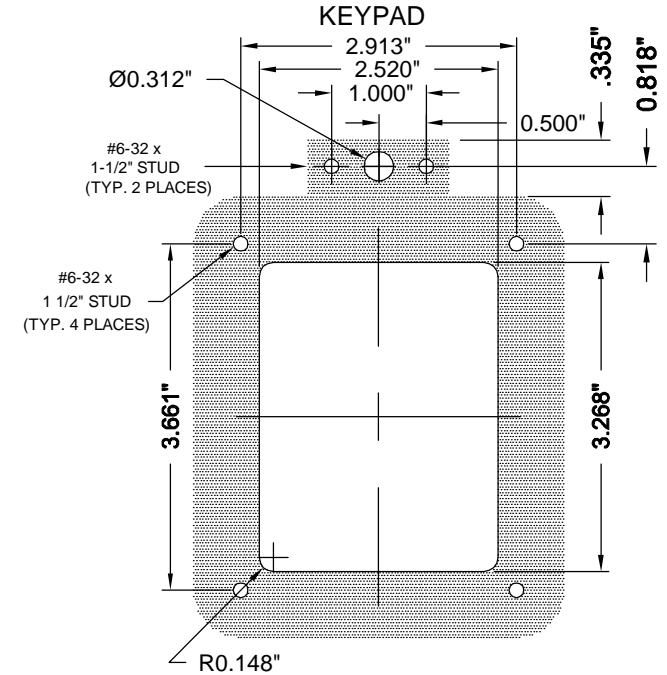
MIN DEPTH: 3.3"

70100015



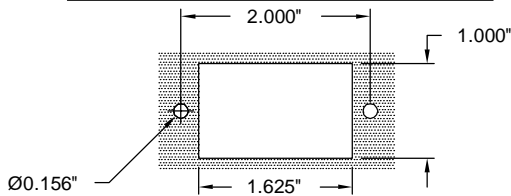
MIN DEPTH: 3.3"

DETAILS FOR FLUSH MOUNTING

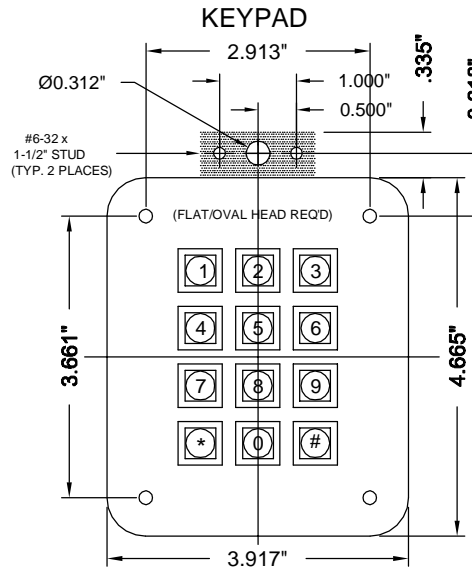


MIN CLEARANCE: 4.0"W x 4.7"H x 1.0"D
 WHEN USED WITH SEC01, DEPTH
 WILL CHANGE FROM 1.0" TO 1.9".

DETAIL FOR ATTENDANT CABLE

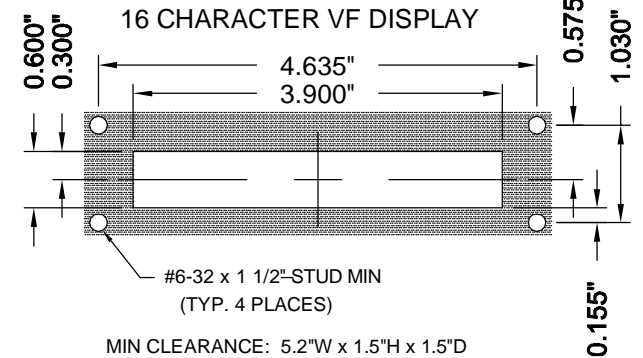


DETAIL FOR SURFACE MOUNTING



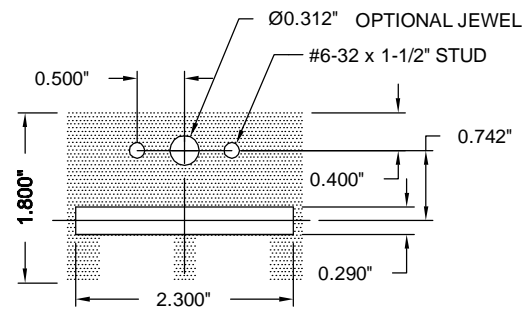
MIN CLEARANCE: 4.0"W x 5.0"H x 1.25"D
 WHEN USED WITH SEC01, DEPTH
 WILL CHANGE FROM 1.25" TO 1.6".

DETAIL FOR DISPLAY



MIN CLEARANCE: 5.2"W x 1.5"H x 1.5"D

DETAIL FOR CARD READER



MIN CLEARANCE: 2.5"W x 1.8"H x 3.3"D