

**> 70100023 SECURITY**  
SURFACE MOUNT CARD READER WITH LED



**C.E. Electronics Ltd.**

Marlow, Bucks, UK

Ph: +44 (0) 1628 487633

[www.cееlectronics.com/security](http://www.cееlectronics.com/security)

**C.E. Electronics, Inc.**

Bryan, OH, USA

Ph: (419) 636-6705





C.E. Electronics, Inc.  
 2107 Industrial Drive  
 Bryan, OH 43506  
 PH (419) 636-6705 FX (419) 636-2516  
 www.ccelectronics.com

70100023

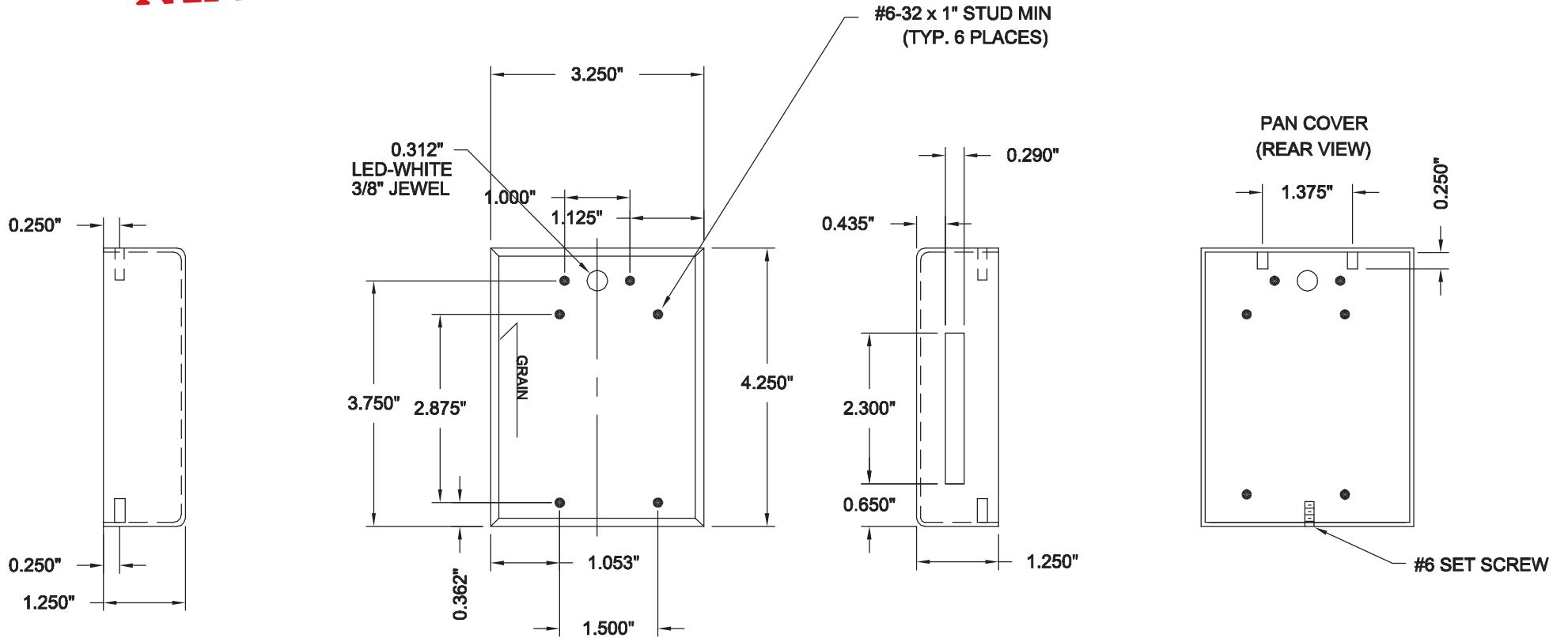
Ver 1.1 Rev 16/07/12

METAL

**NOT AVAILABLE**

SURFACE MOUNT CARD READER / LED

**NEW MODEL PENDING, CONSULT FACTORY**



NOTES:

- #4 STAINLESS STEEL, PAN TYPE COVER, 16 GAGE .060
- VERTICAL GRAIN
- BEVELED EDGES - APPROXIMATELY 15°

VENDOR TO SUPPLY AND INSTALL:

LED - WHITE 3/8" JEWEL ONLY WITH RETAINING RING





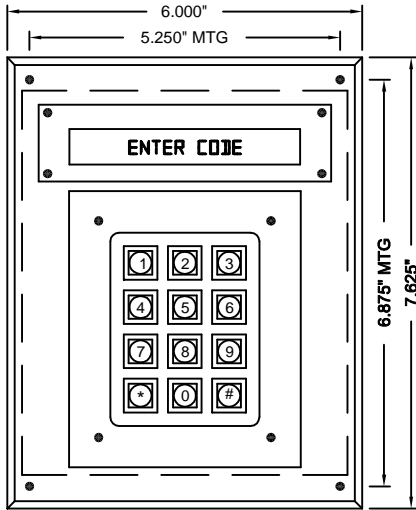
# SECXX-DETAIL 1

Ver. 4 Rel. 6/17/2013

SECURITY  
 BUTTON INTERFACE

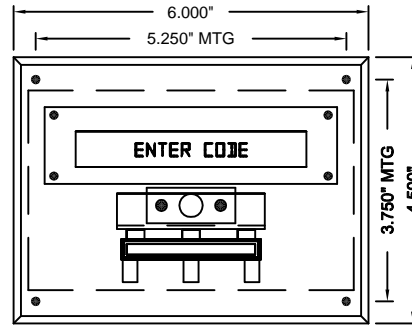
70100013

## STANDARD STAINLESS STEEL COVERPLATES



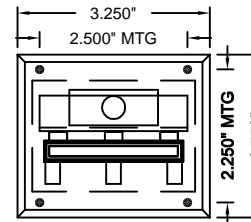
MIN DEPTH: 1.9"

70100014



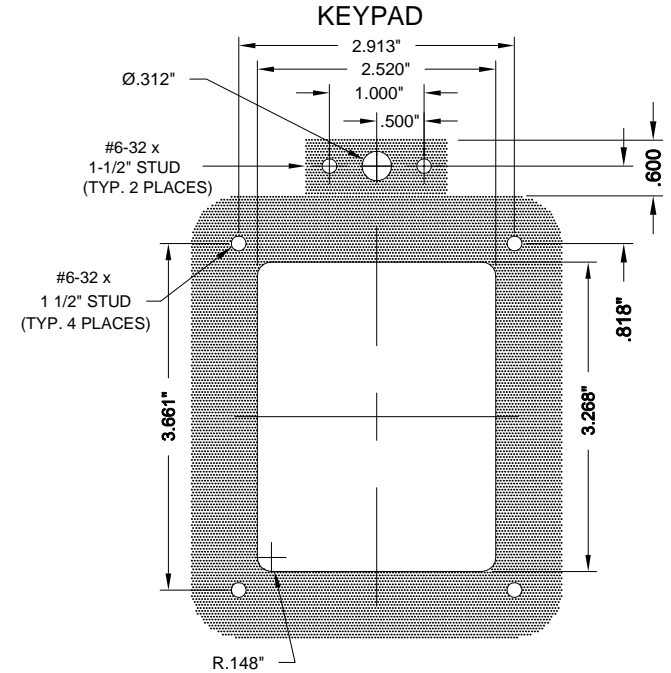
MIN DEPTH: 3.3"

70100015



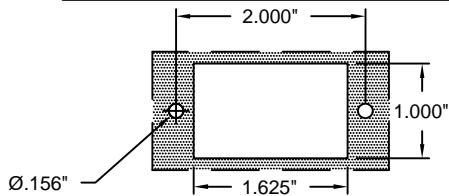
MIN DEPTH: 3.3"

## DETAILS FOR FLUSH MOUNTING

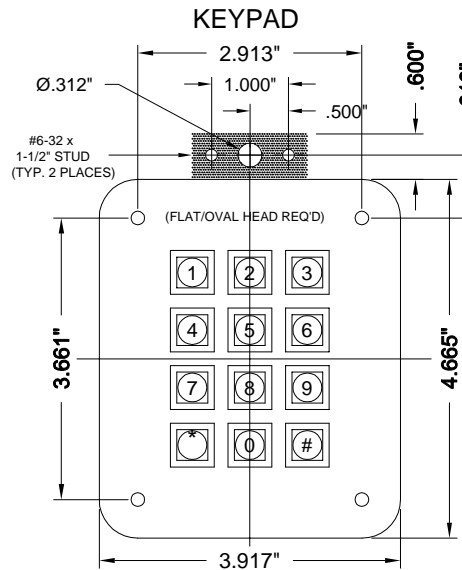


MIN CLEARANCE: 4.0\"W x 4.7\"H x 1.0\"D  
 WHEN USED WITH SEC01, DEPTH  
 WILL CHANGE FROM 1.0\" TO 1.9\".

## DETAIL FOR ATTENDANT CABLE

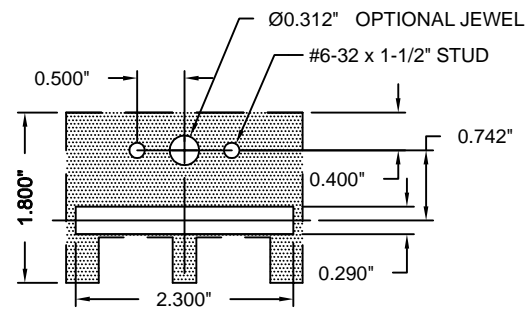


## DETAIL FOR SURFACE MOUNTING



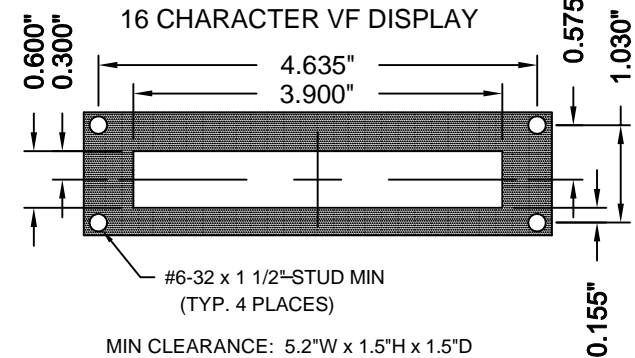
MIN CLEARANCE: 4.0\"W x 5.0\"H x 1.25\"D  
 WHEN USED WITH SEC01, DEPTH  
 WILL CHANGE FROM 1.25\" TO 1.6\".

## DETAIL FOR CARD READER



MIN CLEARANCE: 2.5\"W x 1.8\"H x 3.3\"D

## DETAIL FOR DISPLAY



MIN CLEARANCE: 5.2\"W x 1.5\"H x 1.5\"D