

> 70100015 SECURITY
COVERPLATE FOR CARD READER WITH LED



C.E. Electronics Ltd.

Marlow, Bucks, UK

Ph: +44 (0) 1628 487633

www.ceelectronics.com/security

C.E. Electronics, Inc.

Bryan, OH, USA

Ph: (419) 636-6705





C.E. Electronics, Inc.
 2107 Industrial Drive
 Bryan, OH 43506
 PH (419) 636-6705 FX (419) 636-2516
 www.ccelectronics.com

70100015

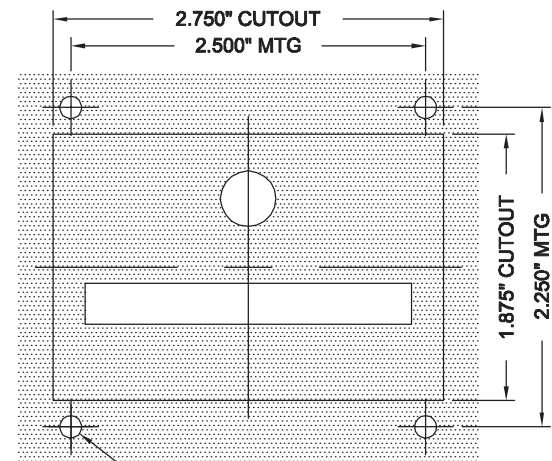
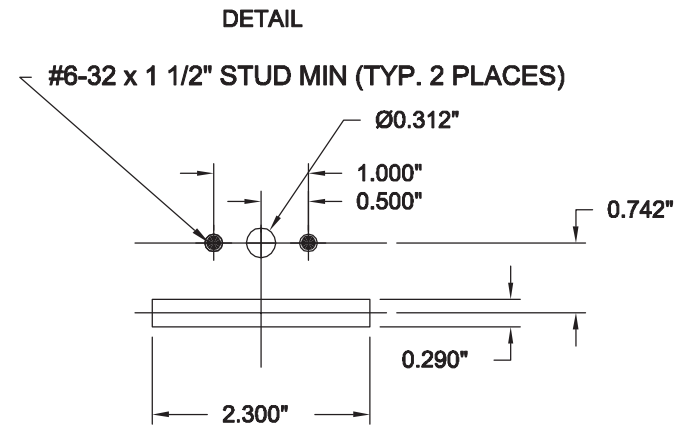
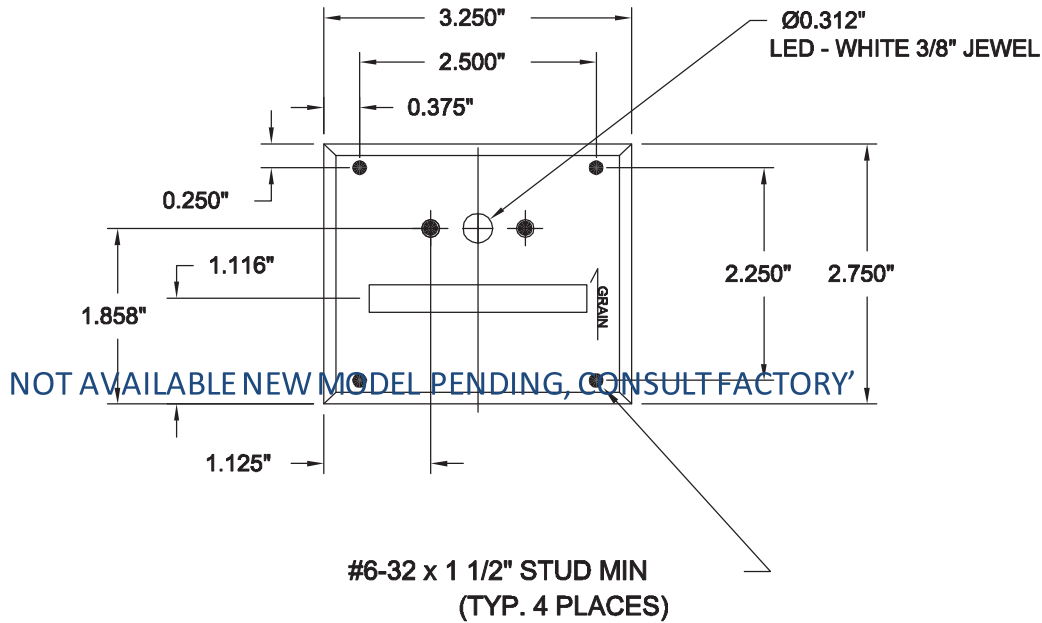
Ver. 2, Rev. 7/3/13

METAL

NOT AVAILABLE

NEW MODEL PENDING, CONSULT FACTORY

COVER PLATE FOR AIR RELEASE



NOTES:

- #4 STAINLESS STEEL, .125"
- VERTICAL GRAIN
- BEVELED EDGES - APPROXIMATELY 15°

VENDOR TO SUPPLY AND INSTALL:

LED - WHITE 3/8" JEWEL ONLY WITH RETAINING RING



ALL STUDS TO BE 1 1/2" LONG!



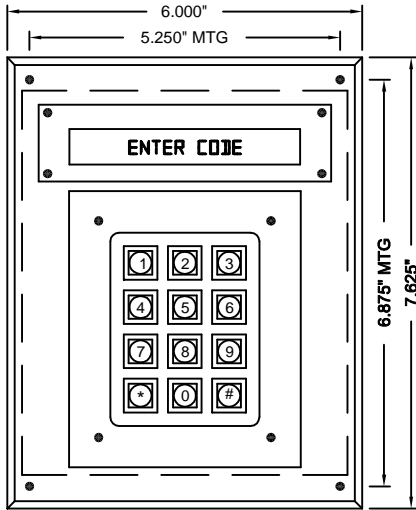
SECXX-DETAIL 1

Ver. 4 Rel. 6/17/2013

SECURITY
 BUTTON INTERFACE

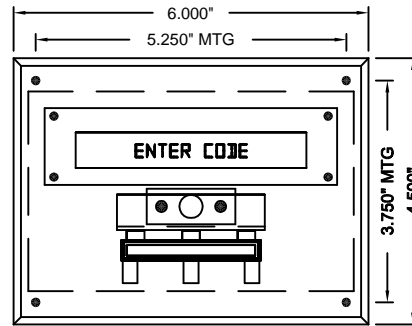
70100013

STANDARD STAINLESS STEEL COVERPLATES



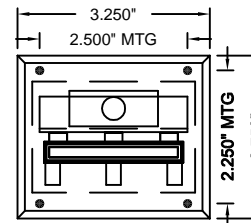
MIN DEPTH: 1.9"

70100014



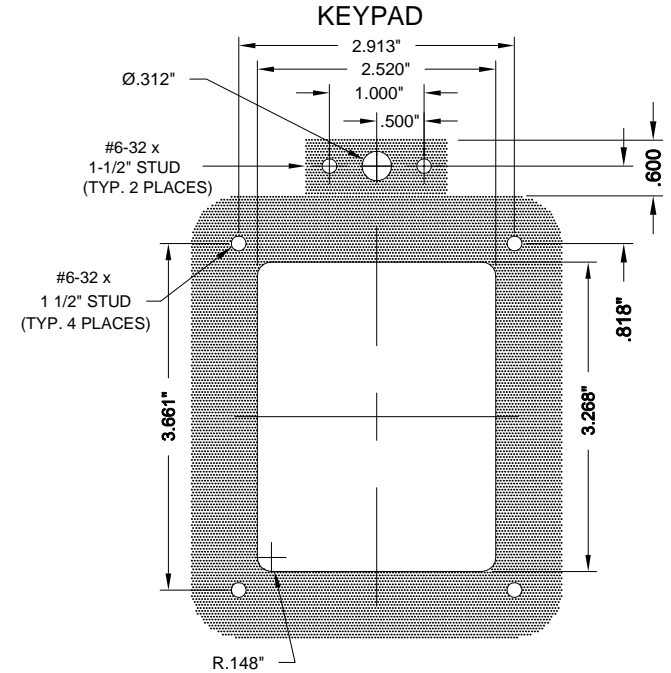
MIN DEPTH: 3.3"

70100015



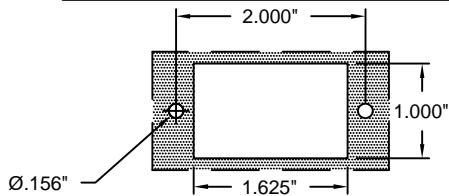
MIN DEPTH: 3.3"

DETAILS FOR FLUSH MOUNTING

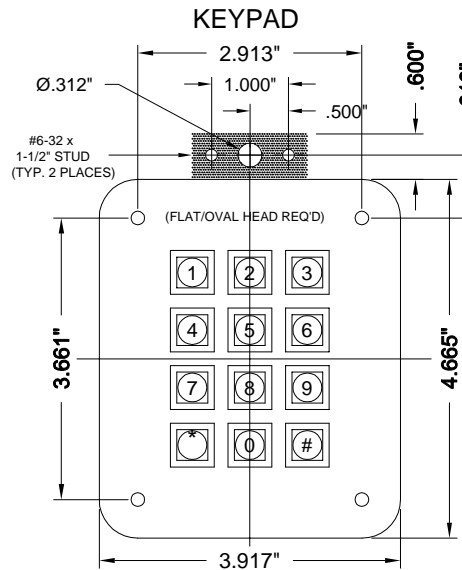


MIN CLEARANCE: 4.0\"W x 4.7\"H x 1.0\"D
 WHEN USED WITH SEC01, DEPTH
 WILL CHANGE FROM 1.0\" TO 1.9\".

DETAIL FOR ATTENDANT CABLE

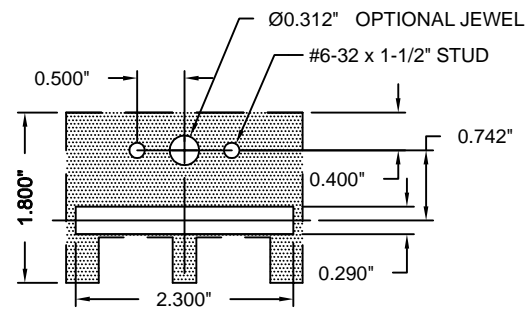


DETAIL FOR SURFACE MOUNTING



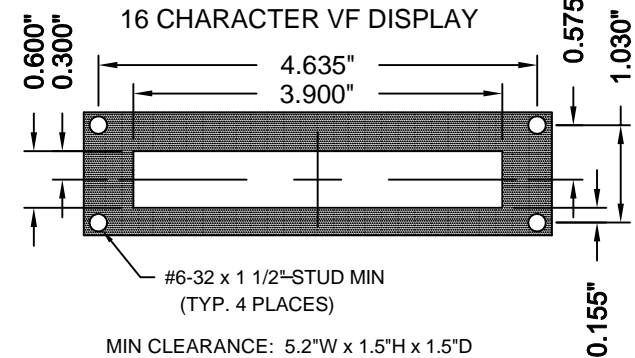
MIN CLEARANCE: 4.0\"W x 5.0\"H x 1.25\"D
 WHEN USED WITH SEC01, DEPTH
 WILL CHANGE FROM 1.25\" TO 1.6\".

DETAIL FOR CARD READER



MIN CLEARANCE: 2.5\"W x 1.8\"H x 3.3\"D

DETAIL FOR DISPLAY



MIN CLEARANCE: 5.2\"W x 1.5\"H x 1.5\"D