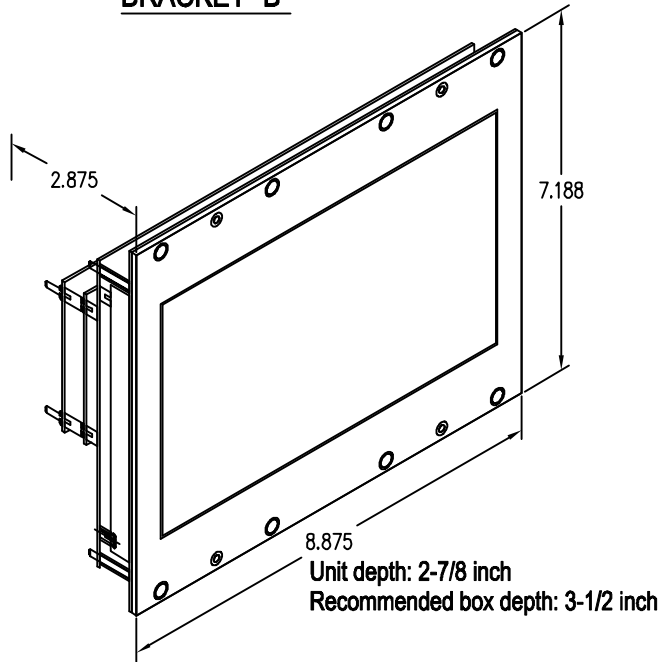
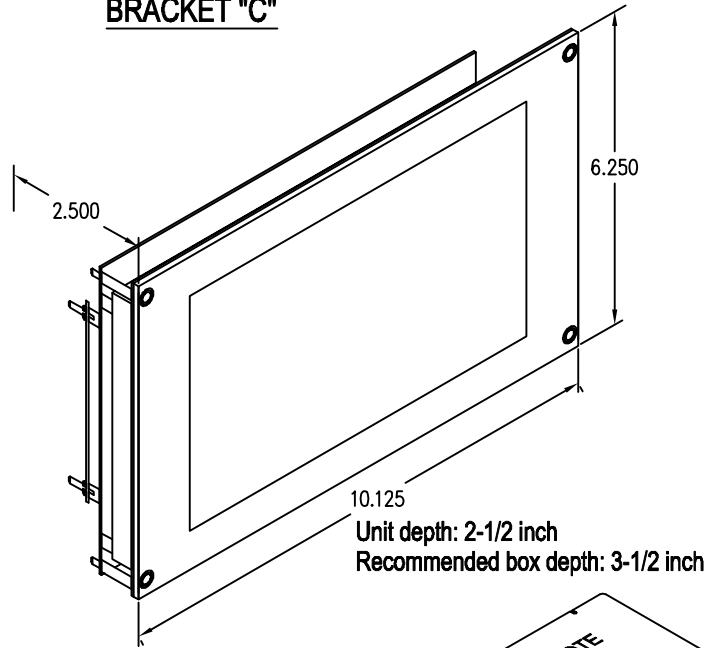




BRACKET "B"



BRACKET "C"



9.0 INCH Elite PI

The Micro Comm Elite PI is the most flexible position indicator available. With the Elite PI Designer software, you can customize your own position indicator by selecting background colors and textures, fonts, and arrow styles. This system is so flexible you can even determine where the display elements appear on the screen. In addition to design flexibility, the Micro Comm Elite PI can display floor, priority, and time-based messages.

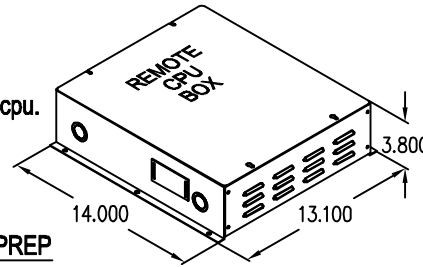
Typical Applications

- Car-op panel
- Transom car
- Lobby

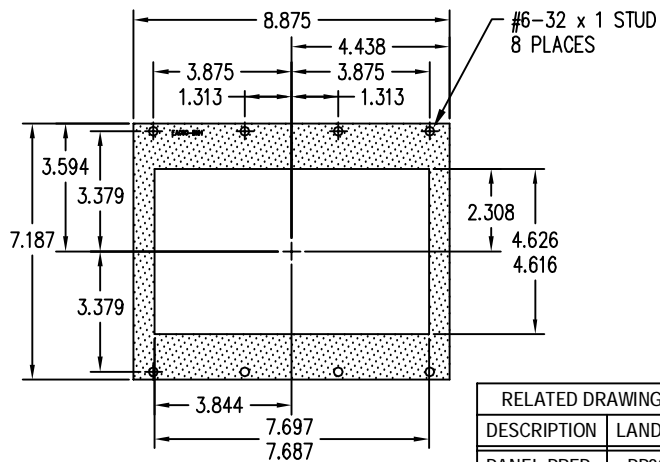
Features:

- Passing chime output
- Live video option
- Self testing
- Low profile
- Elite PI Designer software
- Elite PI Transfer software
- Multi-car capabilities for hallway use
- CPU Box can be up to 25 feet from screen.
- One remote cpu box can support 2 screens

This unit must be used with remote cpu.
 CE # ER090-XXX

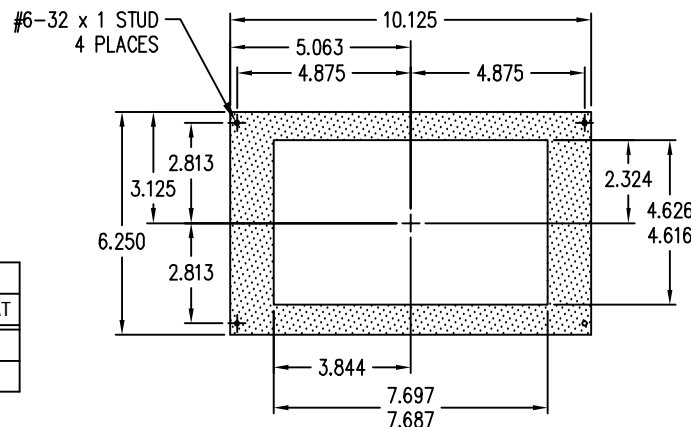


BRACKET "B" - PANEL PREP



RELATED DRAWINGS - BRACKET "B"		
DESCRIPTION	LANDSCAPE	PORTRIAT
PANEL PREP.	PP90-3	PP90-4
DETAIL DIM.	DD90-3	DD90-4

BRACKET "C" - PANEL PREP



RELATED DRAWINGS - BRACKET "C"		
DESCRIPTION	LANDSCAPE	PORTRIAT
PANEL PREP.	PP90-5	PP90-6
DETAIL DIM.	DD90-5	DD90-6

TO ORDER: - EA090 - XHX2

B = BRACKET "B"
 C = BRACKET "C"

"H" = HORIZONTAL
 "V" = VERTICAL