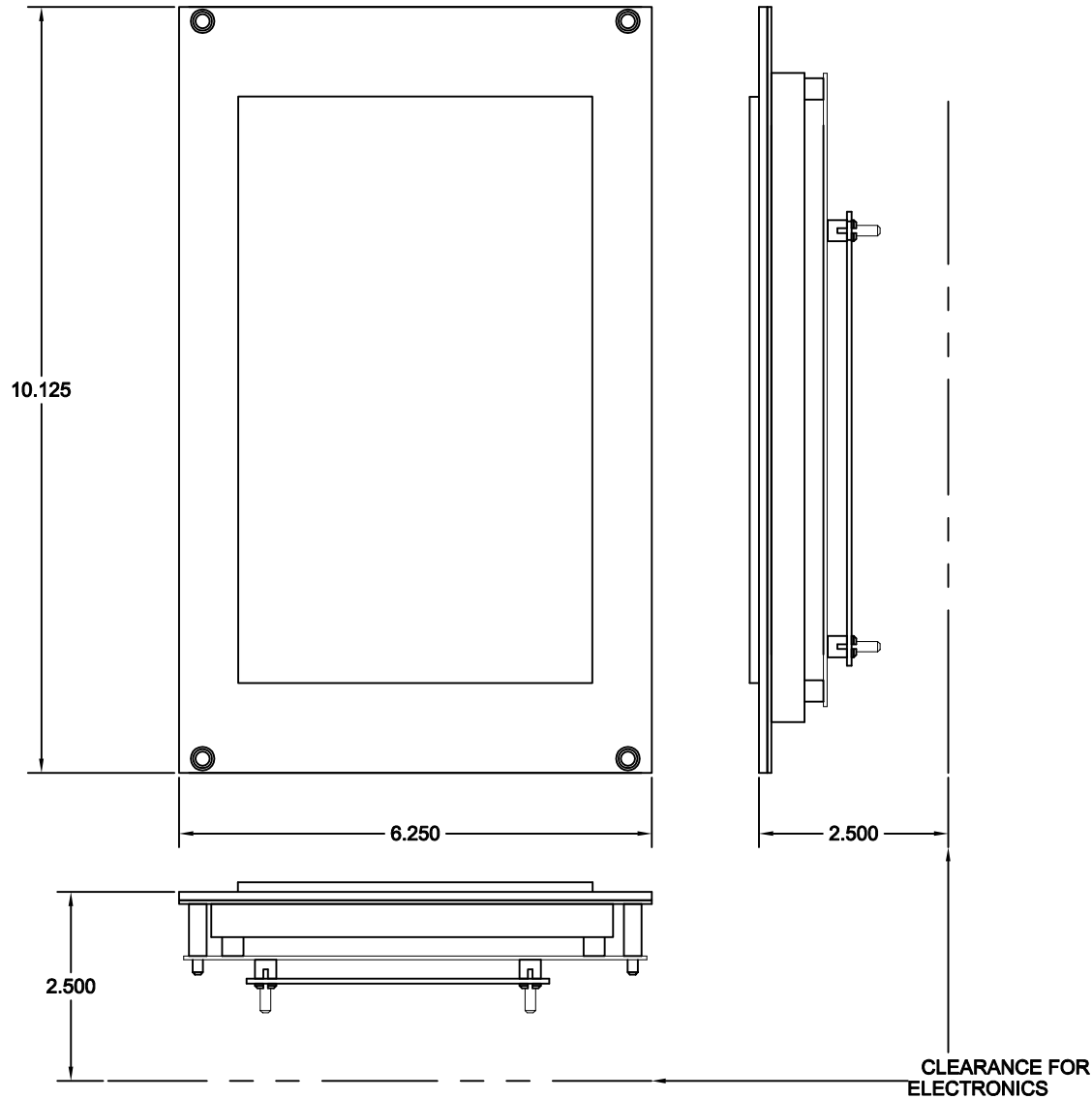


DD90-6

Ver. 1 Rel. 4/13/2015



CLEARANCE FOR
ELECTRONICS

LENS NUMBER:	BOARD # & REV:
APPROVED BY:	
Signature: _____	
Date: _____	
Company: _____	

DATE DRAWN: 4/13/2015	LAST DATE REVISED:	SCALE NONE	PART #:
DRAWN BY: DWS	TOLERANCE UNLESS OTHERWISE SPECIFIED:		
REQUESTED BY: TE	TOLERANCE FOR CUTOUT (WINDOW):		
TITLE: DD90-6	DWG. NO. DD90-6	REV:	

 C.E. ELECTRONICS, INC.
2107 Industrial Drive
Bryan, Ohio 43506
(419) 636-6705