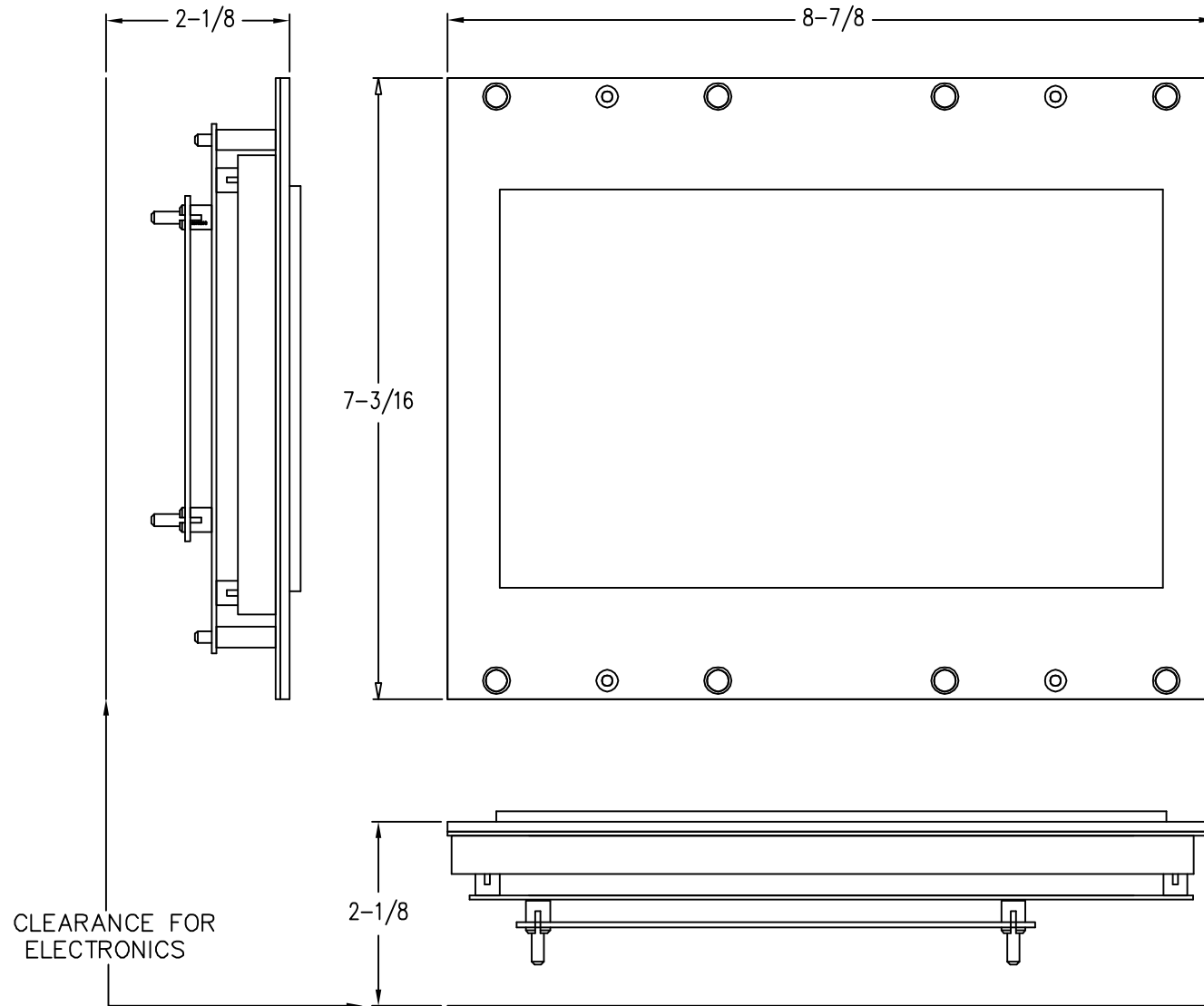



# DD90-3

Ver. 2 Rel. 3/23/2016



LENS NUMBER:	BOARD # & REV:
APPROVED BY:	
Signature:	
Date:	
Company:	

DATE DRAWN: 2/22/2012	LAST DATE REVISED 3/23/2016	SCALE NTS	PART #
DRAWN BY: DWS	TOLERANCE UNLESS OTHERWISE SPECIFIED: ±.015	 C.E. ELECTRONICS, INC. 2107 Industrial Drive Bryan, Ohio 43506 (419) 636-6705	
REQUESTED BY: TE	TOLERANCE FOR CUTOFF (WINDOW):		
TITLE:	DWG. NO. DD90-3	REV. A	