

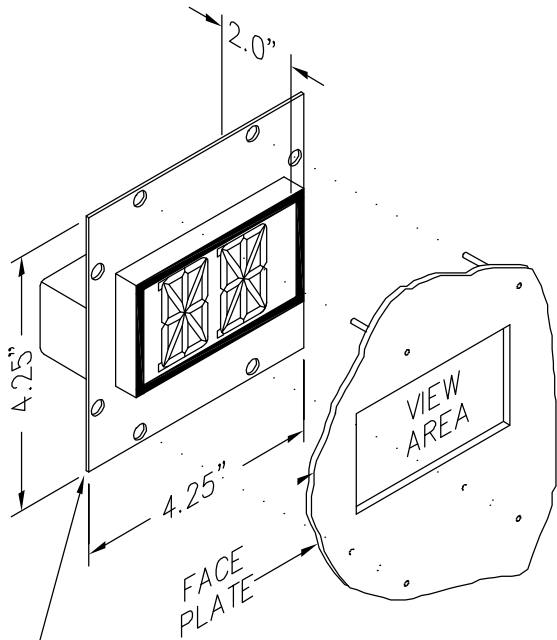


C.E. Electronics, Inc.
 2107 Industrial Drive
 Bryan, OH 43506
 PH (419) 636-6705 FX (419) 636-2516
 www.ceelectronics.com

VO212-X

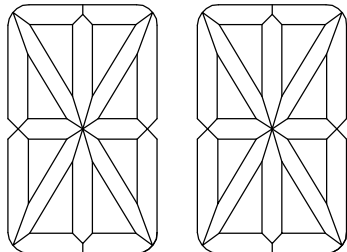
Ver. 1 Rel. 05/31/02

DIRECT
REPLACEMENTS



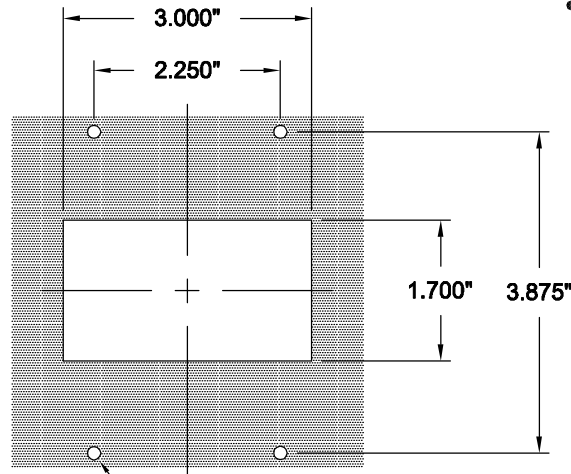
INPUT CONNECTION

DIRECT OTIS HOOKUP VIA 4 PIN
AND 6 PIN PLUGS



1.2" VFD DISPLAY

PANEL PREPARATION



#6-32 x 1 1/2" STUD MIN
(TYP. 4 PLACES)

CUTOUT TOLERANCE: +.020
- 0.0

1.2" VACUUM FLUORESCENT DISPLAY

Indicator for floor position. Any alphanumeric character can be displayed in either single or double digit floor designations.

Typical applications:

- Car-op panel
- Transoms
- Car and hall fixtures

Features:

- Low cost design
- Passing chime output
- Message inputs
- Otis clock/data input

TO ORDER - SPECIFY VO212 - X

COLOR:
"B" = BLUE
"G" = GREEN