

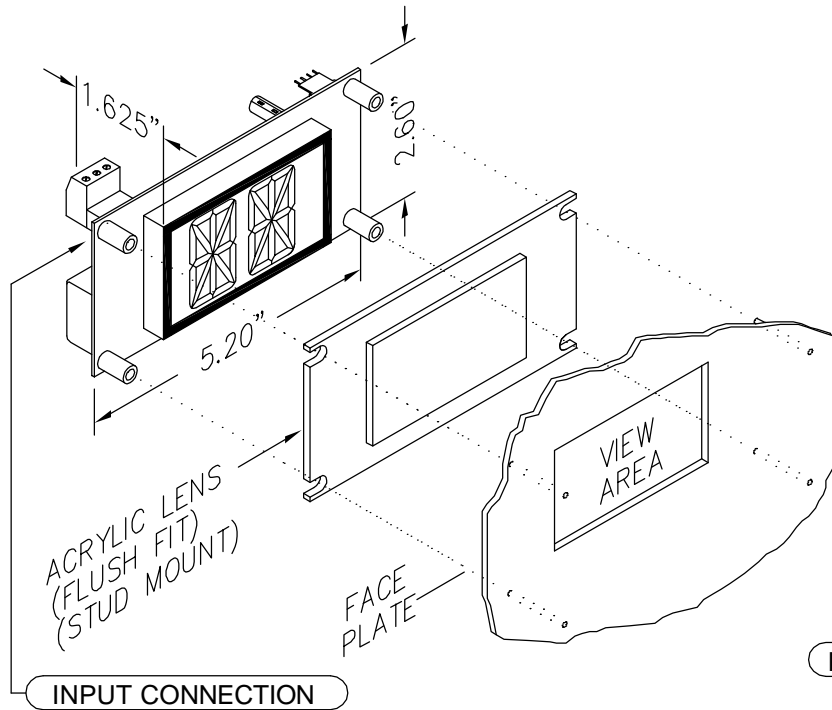


C.E. Electronics, Inc.
 2107 Industrial Drive
 Bryan, OH 43506
 PH (419) 636-6705 FX (419) 636-2516
 www.cseelectronics.com

VF312-XX

Ver. 3 Rel. 12/06/10

MICRO COMM[®]
 DISPLAYS



VACUUM FLUORESCENT DISPLAY

Vacuum fluorescent display indicator for floor position. Any alphanumeric character can be displayed in either single or double digit floor designations.

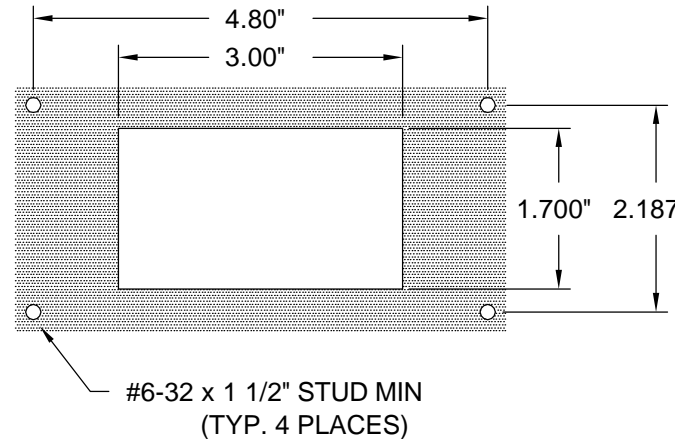
Typical Applications:

- Car-OP Panel
- Transoms
- Car and hall fixtures

Features:

- Fast, 3-wire hookup
- Latched inputs
- Cross wire protected
- Self testing
- Alternate message
- Passing chime output
- Error detection and correction feature

PANEL PREPARATION



#6-32 x 1 1/2" STUD MIN
 (TYP. 4 PLACES)

CUTOUT TOLERANCE: +.020
 - 0.0

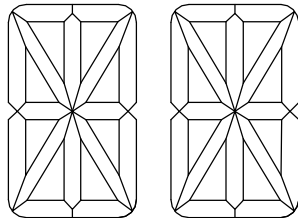
RENEWAL PARTS

Lens: 104-6013 GRAY
 Lens: 104-9013 BLUE

TO ORDER: - SPECIFY VF312- X X

COLOR:
 "B" = BLUE
 "G" = GREEN

LENS:
 "B" = BLUE
 "G" = GRAY
 "X" = NO LENS



1.2" VFD DISPLAY

NOTE:

1. This is not a stand alone unit. Must be used in conjunction with a Micro Comm interface.