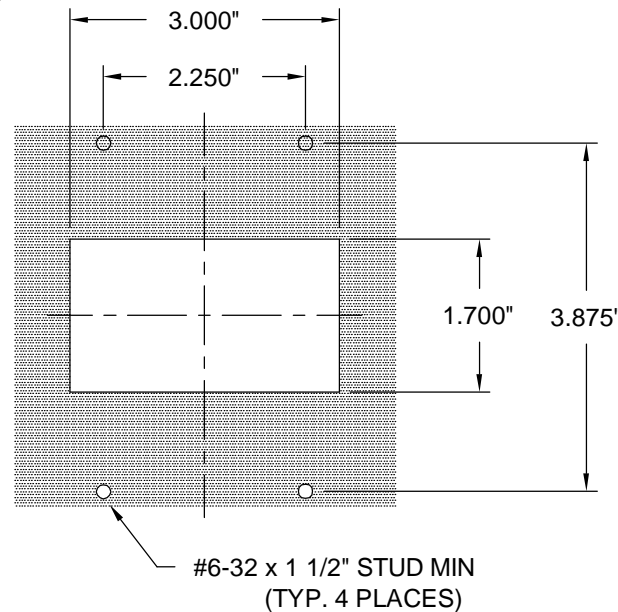


1.2" VFD DISPLAY

PANEL PREPARATION



CUTOUT TOLERANCE: +.020  
 - 0.0

### VACUUM FLUORESCENT DISPLAY

Vacuum fluorescent display indicator for floor position. Any alphanumeric character can be displayed in either single or double digit floor designations.

Typical Applications:

- Car-OP Panel
- Transoms
- Car and hall fixtures

Features:

- Fast, 3-wire hookup
- Latched inputs
- Cross wire protected
- Self testing
- Alternate message
- Passing chime output
- Error detection and correction feature

RENEWAL PARTS

Lens: 104-6011 GRAY  
 Lens: 104-9011 BLUE

TO ORDER: - SPECIFY VF212- X X

COLOR:  
 "B" = BLUE  
 "G" = GREEN

LENS:  
 "B" = BLUE  
 "G" = GRAY  
 "X" = NO LENS

NOTE:

1. This is not a stand alone unit. Must be used in conjunction with a Micro Comm interface.