



C.E. Electronics, Inc.
 2107 Industrial Drive
 Bryan, OH 43506
 PH (419) 636-6705 FX (419) 636-2516
 www.ccelectronics.com

SNAPINOSG

Ver. 2 Rel. 05/21/03

OTIS®
 411 SERIES

SNAPIN-OSG

3.0" LED ARROW

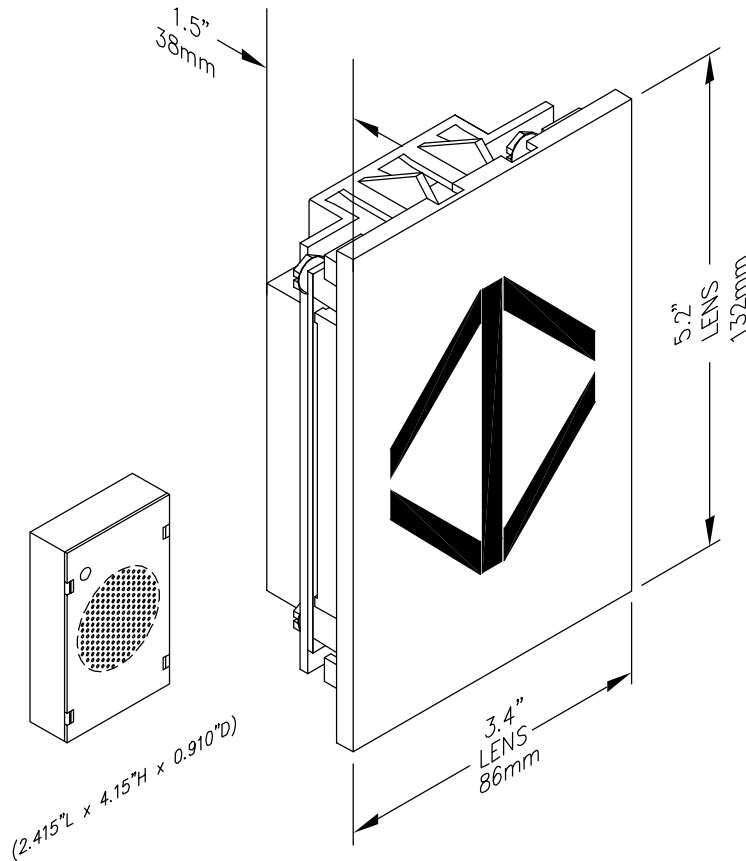
Long life, solid state bi-color arrow for lanterns, 100,000 hour rated life and is housed in convenient snap-in enclosure. Accepts signals from Otis serial cdl link. The bi-color arrow is green for up and red for down.

Typical Applications:

- Hall and car lanterns, arrival or traveling

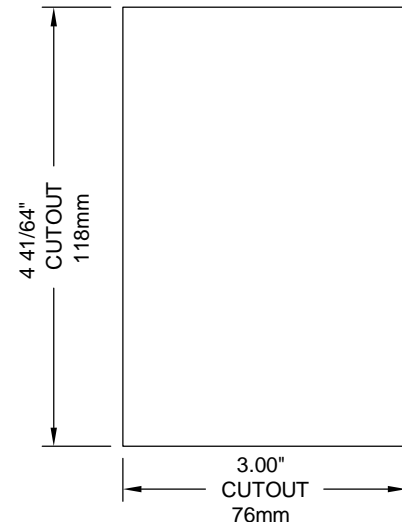
Features:

- Ultra-thin packaging
- Bi-color
- Red down / green up
- Jamb mountable
- Fast, 3-wire hookup
- 1 year factory warranty
- Conforms to ADAAG 4.10.4
- Includes gong



(2.415"L x 4.15"H x 0.910"D)

PANEL PREPARATION



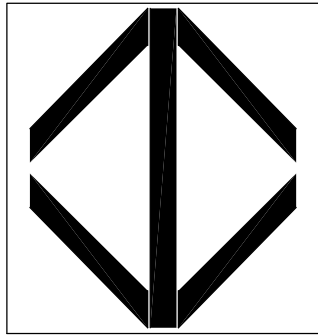
TO ORDER - SPECIFY SNAPIN-OSG

Otis serial cdl link

RENEWAL PARTS

Display board: 9257500000
 Driver board: 9257800000

OTIS MALE
 4 PIN HEADER



3.0" ARROW