



C.E. Electronics, Inc.
 2107 Industrial Drive
 Bryan, OH 43506
 PH (419) 636-6705 FX (419) 636-2516
 www.ceelectronics.com

SNAPINOFG

Ver. 1 Rel. 01/21/03

OTIS®
 411 SERIES

SNAPIN-OFG

3.0" LED ARROW

Long life, solid state bi-color arrow for lanterns, 100,000 hour rated life and is housed in convenient snap-in enclosure. Accepts signals from -24/30 volts dc. The bi-color arrow is green for up and red for down.

Typical Applications:

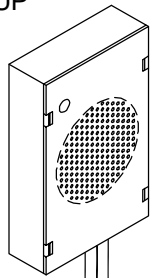
- Hall and car lanterns, arrival or traveling

Features:

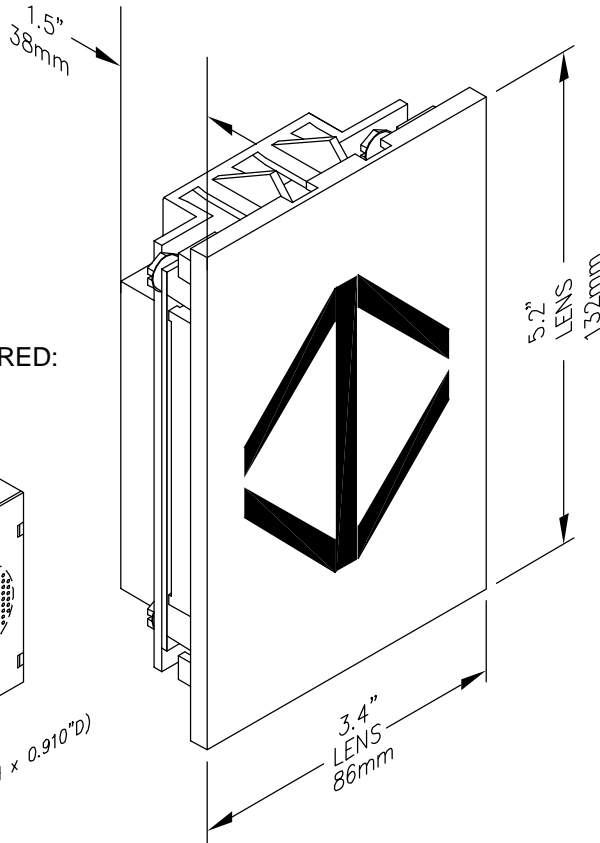
- Ultra-thin packaging
- Bi-color
- Red down / green up
- Jamb mountable
- Fast, 3-wire hookup
- 1 year factory warranty
- Conforms to ADAAG 4.10.4
- Includes gong

THREE WIRES REQUIRED:

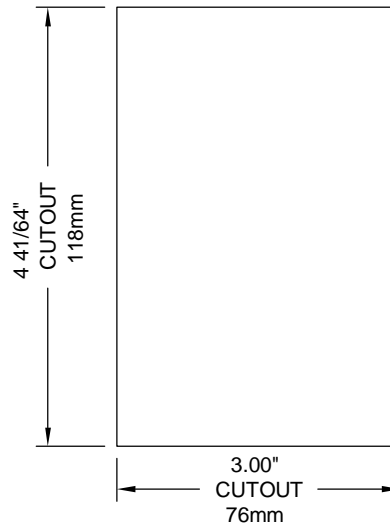
- BLACK - COMMON
- RED - DOWN
- BROWN - UP



(2.415"L x 4.15"H x 0.910"D)



PANEL PREPARATION

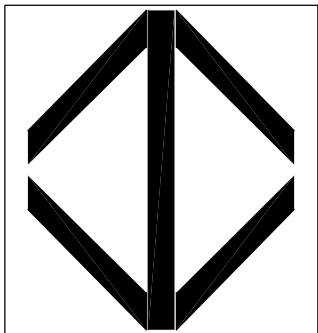


TO ORDER - SPECIFY SNAPIN-OFG

-24/-30VDC

RENEWAL PARTS

Display board: 9226900000
 Gong: TG024-NF1
 Lens: 104-6029



3.0" ARROW