



C.E. Electronics, Inc.  
 2107 Industrial Drive  
 Bryan, OH 43506  
 PH (419) 636-6705 FX (419) 636-2516  
 www.ceelectronics.com

# SNAPINOCG

Ver. 1 Rel. 01/21/03

OTIS

## SNAPIN-OCG

### 3.0" LED ARROW

Long life, solid state bi-color arrow for lanterns, 100,000 hour rated life and is housed in convenient snap-in enclosure. Accepts signals from 100 to 120 volts ac. The bi-color arrow is green for up and red for down.

#### Typical Applications:

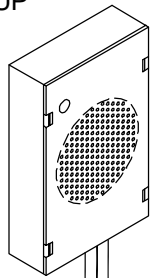
- Hall and car lanterns, arrival or traveling

#### Features:

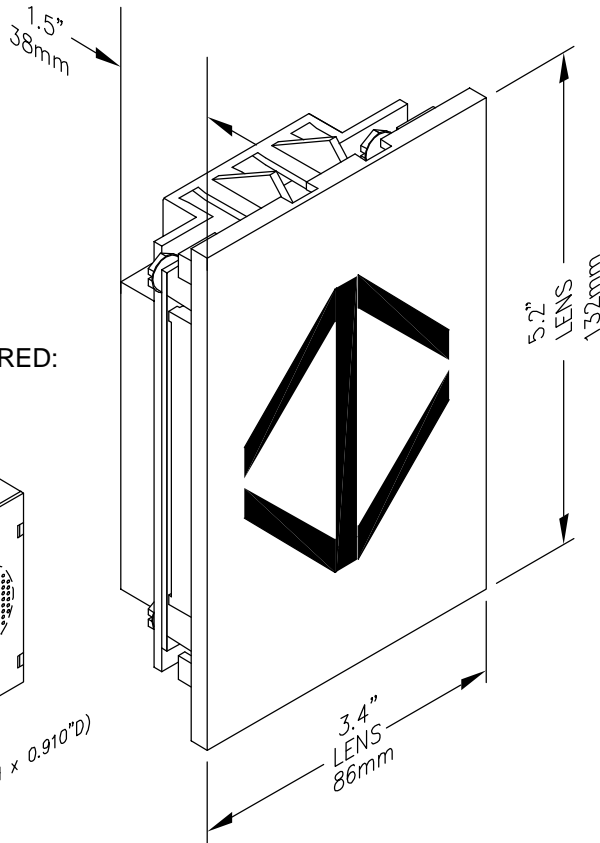
- Ultra-thin packaging
- Bi-color
- Red down / green up
- Jamb mountable
- Fast, 3-wire hookup
- 1 year factory warranty
- Conforms to ADAAG 4.10.4
- Includes gong

#### THREE WIRES REQUIRED:

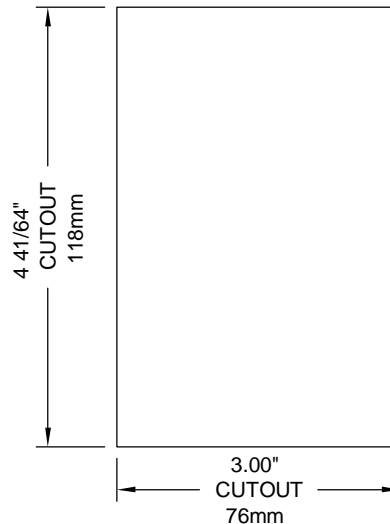
- BLACK - COMMON
- RED - DOWN
- BROWN - UP



(2.415"L x 4.15"H x 0.910"D)



#### PANEL PREPARATION

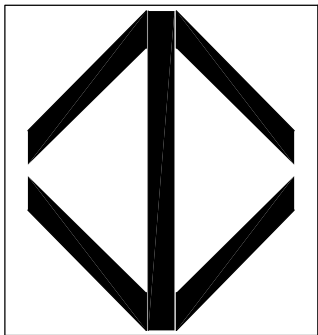


TO ORDER - SPECIFY SNAPIN-OCG

110VAC

#### RENEWAL PARTS

Display board: 9216900000  
 Gong: TG120-PF1  
 Lens: 104-6029



3.0" ARROW