



C.E. Electronics, Inc.
 2107 Industrial Drive
 Bryan, OH 43506
 PH (419) 636-6705 FX (419) 636-2516
 www.ceelectronics.com

SH322-XXXXX

Ver. 7 Rel. 09/09/2011

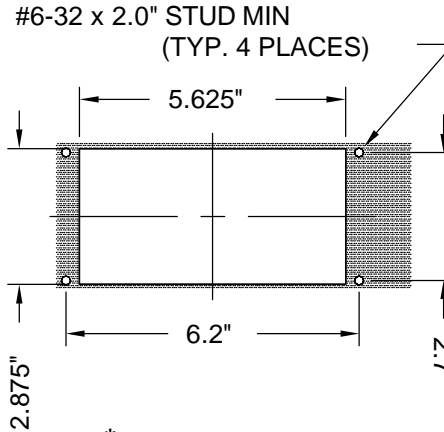
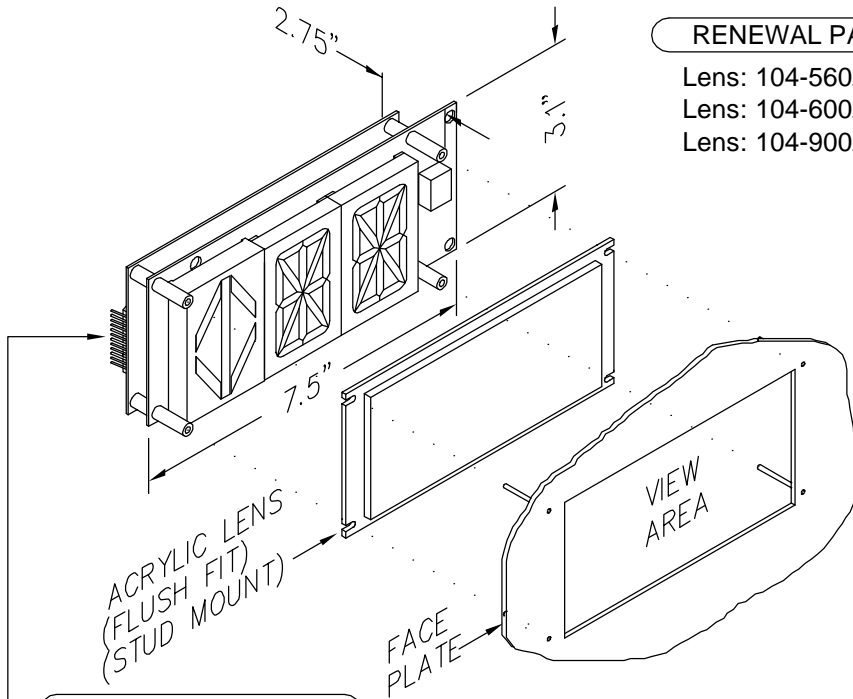
SEGMENTED
DISPLAYS

RENEWAL PARTS

- Lens: 104-5602M RED
- Lens: 104-6002M GRAY
- Lens: 104-9002 BLUE

SEGMENTED 2.2" DISPLAY

Segmented LED main digital indicator for floor position display, as well as car direction. Any alphanumeric character can be displayed in single digit or double digit floor designations.



* NOTE: DISPLAY HANGS OVER ON ONE EDGE.
 (SEE SHADED AREA)
 CENTER LINE TO FURTHEST EDGE - 4 3/8"

CUTOUT TOLERANCE: +.020
 - 0.0

Typical applications:

- Car-OP panel
- Transom-car or hall

Features:

- Self contained
- Auxiliary output
- Latched inputs
- On board power supply
- Self testing
- Passing chime output
- Error detection and correction feature
- UL
- 8 Inputs & Up/Down

TO ORDER - SPECIFY SH322 - X X X X X

COLOR:

- "RR" RED CHARACTER / RED ARROW
- "GR" GREEN CHARACTER / RED ARROW
- "RG" RED CHARACTER / GREEN ARROW
- "GG" GREEN CHARACTER / GREEN ARROW
- "BB" BLUE CHARACTER / BLUE ARROW
- "WW" WHITE CHARACTER / WHITE ARROW

SIGNAL VOLTAGE:

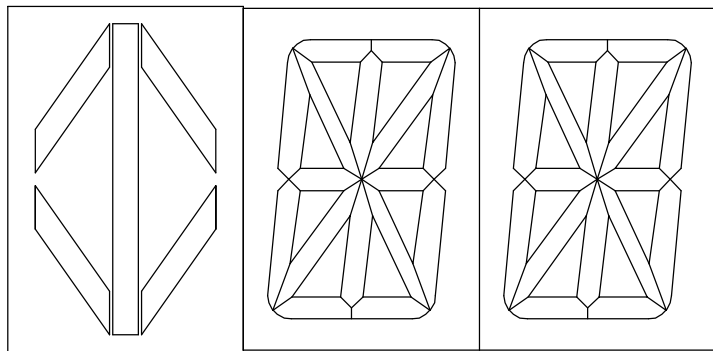
- "A" = POSITIVE 6-20VAC/DC, 24VAC
- "B" = POSITIVE 24-48VDC, 48VAC
- "C" = POSITIVE 120VAC
- "D" = POSITIVE 125VDC
- "E" = NEGATIVE 6-20VDC
- "F" = NEGATIVE 24-48VDC
- "G" = NEGATIVE 125VDC

LENS:

- "R" = RED
- "G" = GRAY
- "B" = BLUE
- "X" = NO LENS

SIGNAL FORMAT:

- "1" = SINGLE LINE / FLOOR *
- "2" = BINARY
- "3" = UNITS & TENS *
- "4" = GRAY CODE
- "5" = INVERTED BINARY
- "6" = SPECIAL



2.2" CHARACTERS
 2.5" ARROW

NOTE:

- * May need additional decoder card
- If a special voltage is required, please consult factory.
- Required 110VAC or optional 220VAC – Consult factory for 220AC