

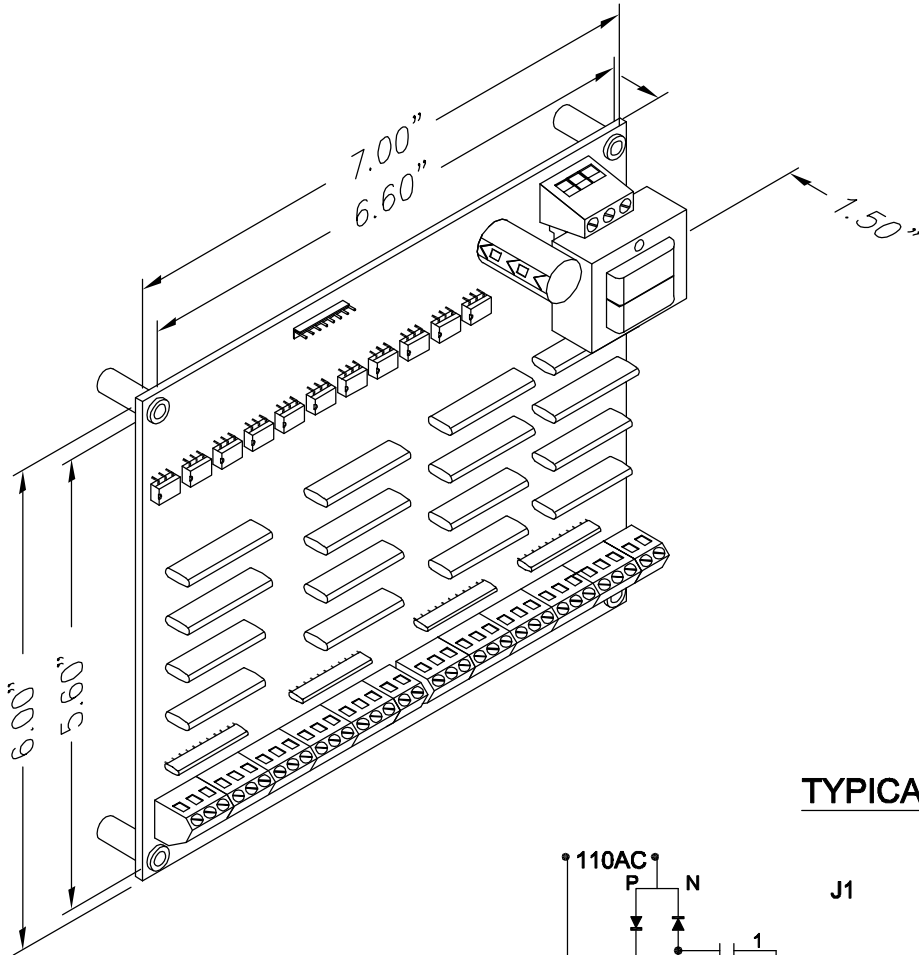


C.E. Electronics, Inc.
 2107 Industrial Drive
 Bryan, OH 43506
 PH (419) 636-6705 FX (419) 636-2516
 www.cееlectronics.com

SCWXX-X

Ver. 1 Rel. 05/22/02

ACCESSORIES



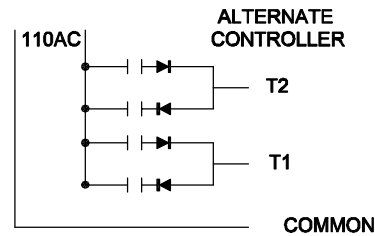
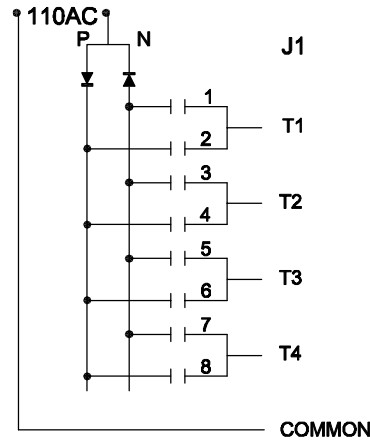
WESTINGHOUSE HALF WAVE SIGNAL ENCODER BOARD

Converts Westinghouse half wave logic (single wire input) to binary for easy installation of any C.E. binary display - voice annunciator, Micro Comm series and ADA products, etc.

Features:

- Simple diode matrix design
- 1 year factory warranty
- 1 amp silicon decoding diodes
- Reliable terminal block hookup
- Accepts voltages of 5 to 130 volts

TYPICAL EXAMPLES



TO ORDER:-SPECIFY SCWXX - X

NUMBER OF INPUTS:
 "32" = 32 INPUT
 "63" = 63 INPUT

SIGNAL VOLTAGE:
 "A" = 6-24VAC
 "B" = 24-48VAC
 "C" = 120VAC