

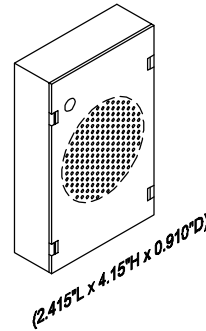
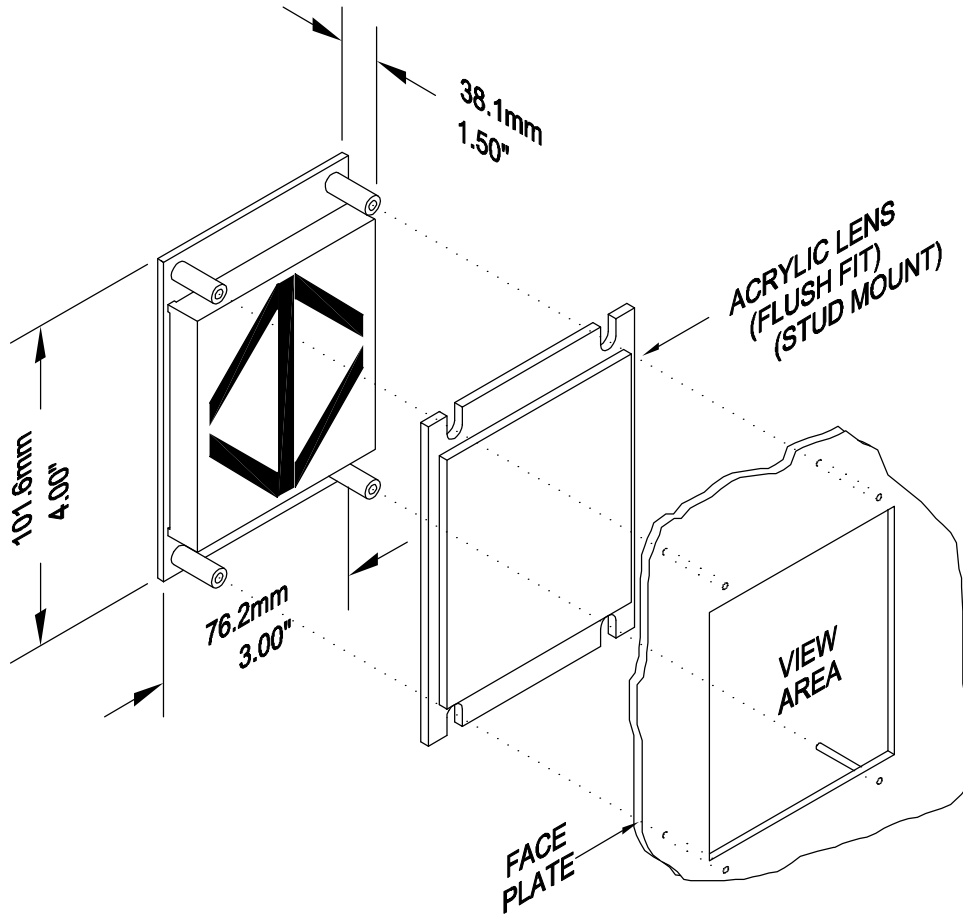


C.E. Electronics, Inc.
 2107 Industrial Drive
 Bryan, OH 43506
 PH (419) 636-6705 FX (419) 636-2516
 www.ceelectronics.com

SA130-VOSXX

Ver. 3 Rel. 11/25/08

OTIS®
 411 SERIES



SA130-VOSXX

3.0" LED VERTICAL ARROW

Long life, solid state vertical arrow for lanterns, 100,000 hour rated life. Accepts signals from Otis serial cdl link. The bi-color arrow is green for up and red for down or optional blue.

Typical Applications:

- Hall and car lanterns, arrival or traveling

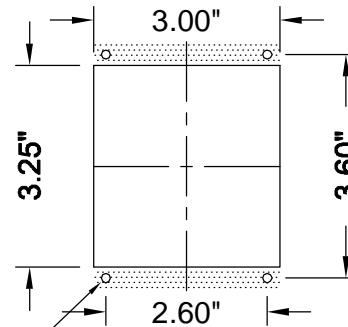
Features:

- Ultra-thin packaging
- Bi-color
- Red down / green up or solid blue
- Jamb mountable
- Fast, 4-wire hookup
- 1 year factory warranty
- Conforms to ADAAG 4.10.4
- Includes gong

RENEWAL PARTS

Lens: 104-6072 GRAY

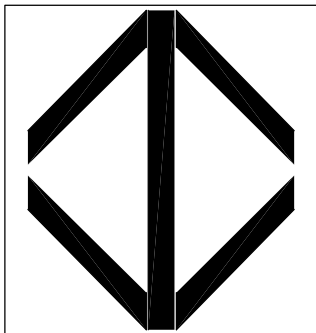
PANEL PREPARATION



#6-32 x 1 1/8" STUD MIN
 (TYP. 4 PLACES)

TO ORDER - SPECIFY SA130-VOSXX

LENS:
 "G" = GRAY
 "X" = NO LENS
 COLOR:
 "B" = BLUE
 "X" = BICOLOR



3.0" ARROW

RENEWAL PARTS

Display board: 932160000X
 Driver board: 9321700000

OTIS MALE
 4 PIN HEADER



NOTE:

OLDER SA130-OSX = SA130-VOSX