

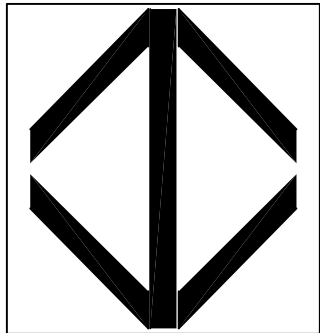
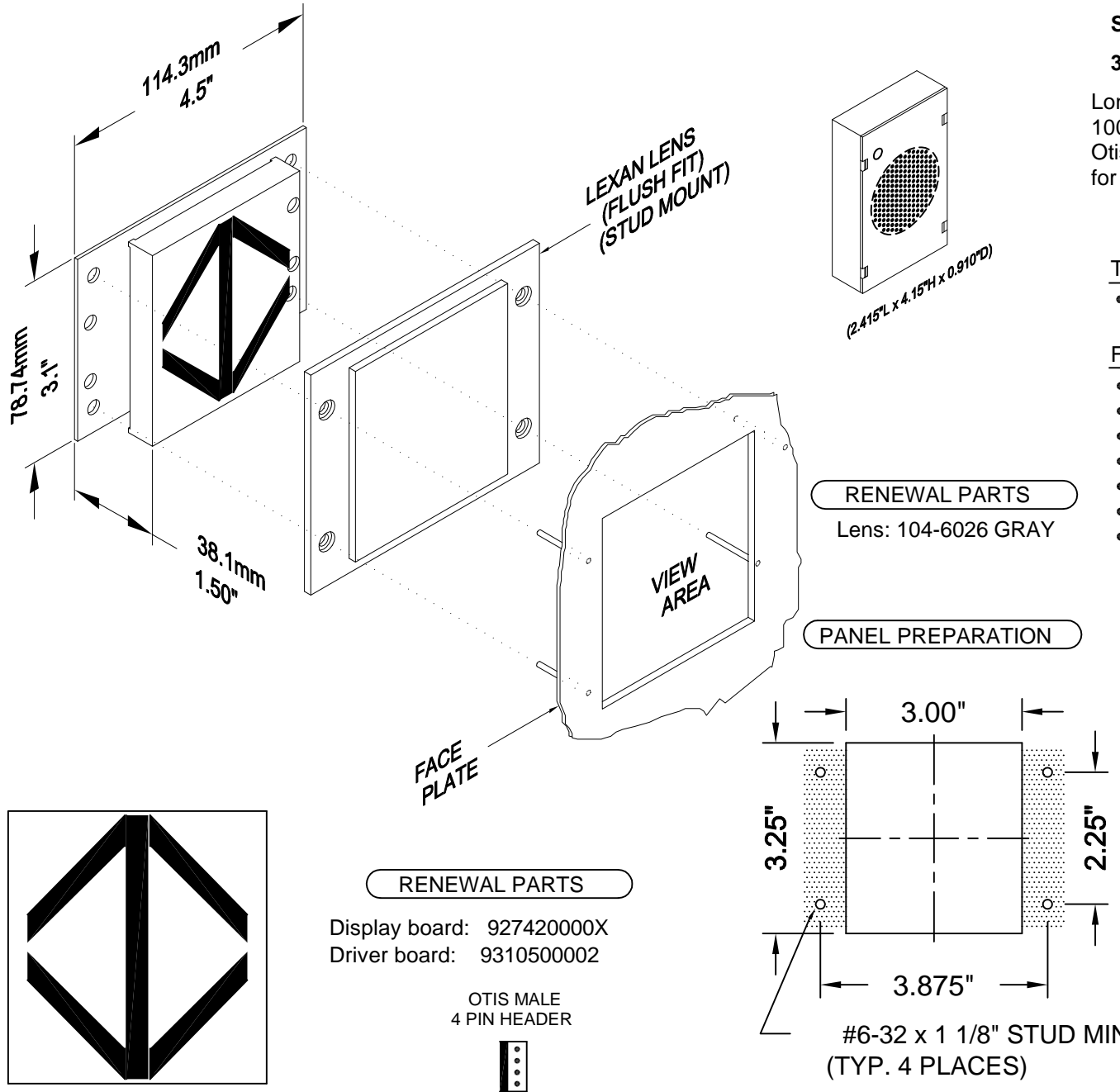


C.E. Electronics, Inc.
 2107 Industrial Drive
 Bryan, OH 43506
 PH (419) 636-6705 FX (419) 636-2516
 www.ccelectronics.com

SA130-HOSXX

Ver. 2 Rel. 11/25/08

OTIS®
 411 SERIES

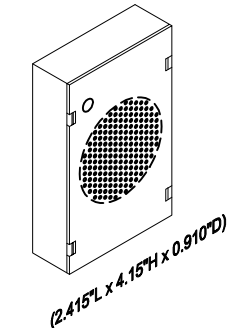


3.0" ARROW

RENEWAL PARTS

Display board: 927420000X
 Driver board: 9310500002

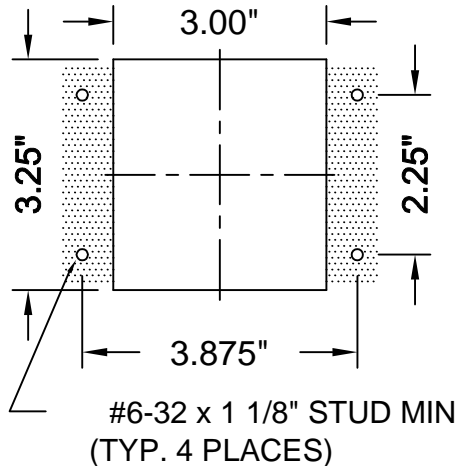
OTIS MALE
 4 PIN HEADER



RENEWAL PARTS

Lens: 104-6026 GRAY

PANEL PREPARATION



SA130-HOSXX

3.0" LED HORIZONTAL ARROW

Long life, solid state horizontal arrow for lanterns, 100,000 hour rated life. Accepts signals from Otis serial cdl link. The bi-color arrow is green for up and red for down or optional blue.

Typical Applications:

- Hall and car lanterns, arrival or traveling

Features:

- Ultra-thin packaging
- Bi-color
- Red down / green up or solid blue
- Fast, 4-wire hookup
- 1 year factory warranty
- Conforms to ADAAG 4.10.4
- Includes gong

TO ORDER - SPECIFY SA130-HOSXX

LENS:
 "G" = GRAY
 "X" = NO LENS

COLOR:
 "B" = BLUE
 "X" = BICOLOR