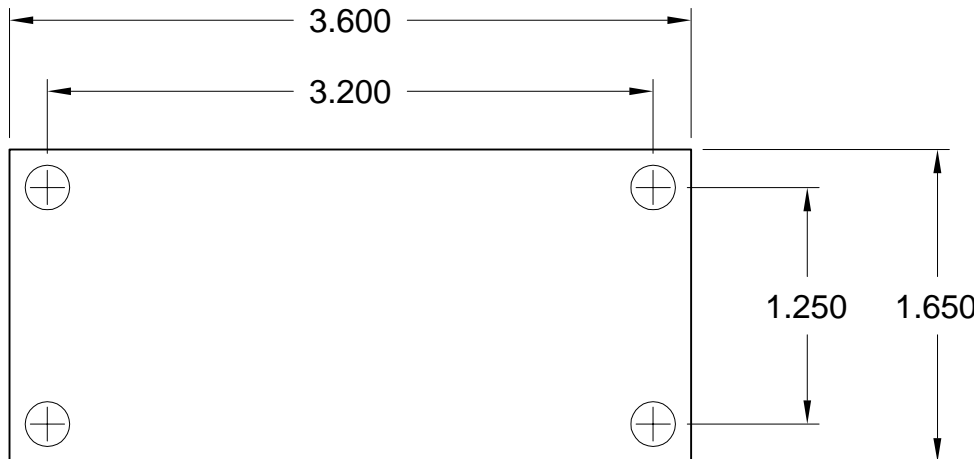
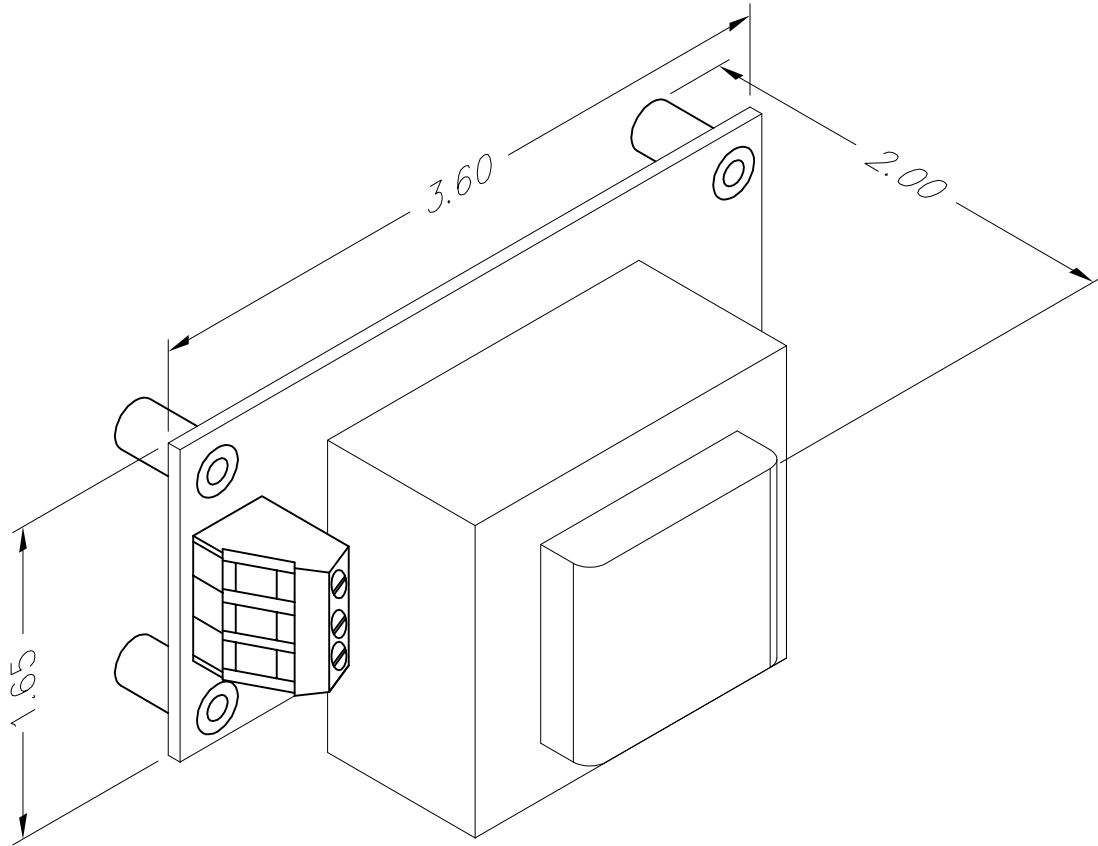




# PS501/PS801/PS121

Ver. 2 Rel. 11/24/2014



## PS501 POWER SUPPLY

Regulated D.C. switching power supply outputs a constant 5 volts D.C. @ up to 0.7 amp. Input requires 110VAC 50/60 Hz.

TO ORDER - SPECIFY PS501

## PS801 POWER SUPPLY

Regulated D.C. switching power supply outputs a constant 8 volts D.C. @ up to 0.7 amp. Input requires 110VAC 50/60 Hz.

TO ORDER - SPECIFY PS801

## PS121 POWER SUPPLY

Regulated D.C. switching power supply outputs a constant 12 volts D.C. @ up to 0.7 amp. Input requires 110VAC 50/60 Hz.

TO ORDER - SPECIFY PS121

### Features:

- Regulated and filtered
- Reliable terminal block hookup
- 1 year factory warranty
- Compact design
- Fast screw down mount