

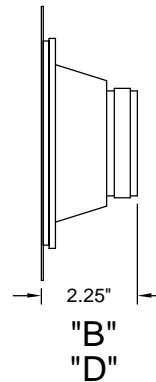
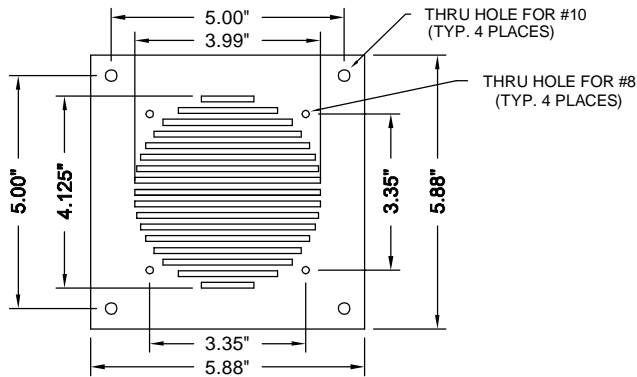
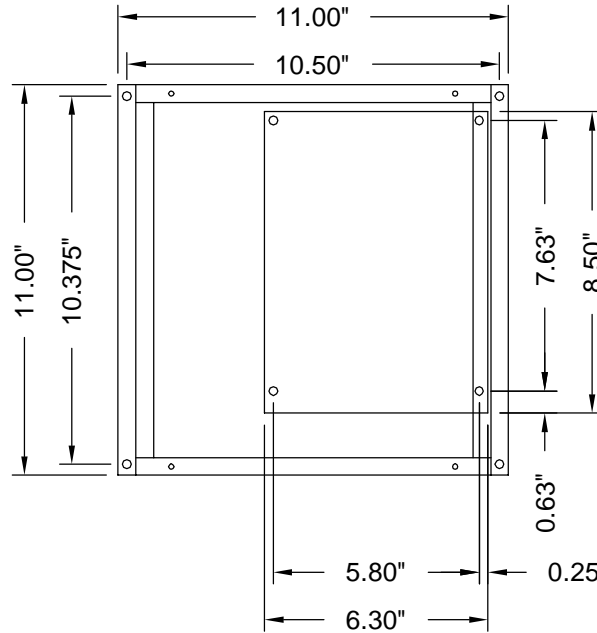
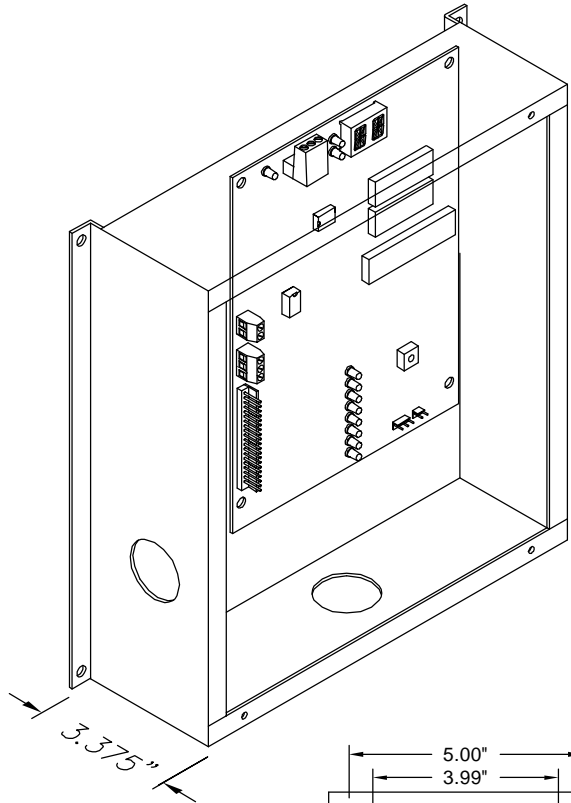


C.E. Electronics, Inc.  
 2107 Industrial Drive  
 Bryan, OH 43506  
 PH (419) 636-6705 FX (419) 636-2516  
 www.ccelectronics.com

# OV401-X

Ver. 3 Rel. 03/30/10

OTIS®  
 411 SERIES



## OV401-X OTIS SERIAL VOICE

The basic system includes up to eighty different messages, with a total message time of 5 minutes. The device works with the Otis clock and data link. It also has additional discrete inputs for arrow, strobe and messages. Unit also equipped with a Micro Comm driver.

### Features:

- Custom vocabulary
- Up to 5 min. of speech
- Capable of 80 Messages
- Human voice
- Male and female voices
- Includes sealed mid-range speaker
- Clock and data link
- Optional micro comm driver

### TO ORDER - SPECIFY OV401-X

#### SPEAKER FORMAT:

- "B" = 2.25" DEEP
- "D" = 2.25" WATER RESISTANT
- "C" = SPECIAL

NOTE: THE DIGITIZED VOICE ANNUNCIATOR (OV401-X) IS DESIGNED TO BE MOUNTED IN MACHINE ROOM. C.E. #40040001 MATCHING TRANSFORMERS ARE UTILIZED WITH A VOLUME ADJUSTMENT FOR REMOTE SPEAKER MOUNTING.