



C.E. Electronics, Inc.
 2107 Industrial Drive
 Bryan, OH 43506
 PH (419) 636-6705 FX (419) 636-2516
 www.ccelectronics.com

OLHS-CX

Ver. 1 Rel. 02/11/03

OTIS

OLHS-CX

3.0" LED ARROW

Long life, solid state bi-color arrow for lanterns, 100,000 hour rated life. Accepts existing signals within the standard Otis range. The bi-color arrow is green for up and red for down with matching side bars for 180° viewing.

Typical Applications:

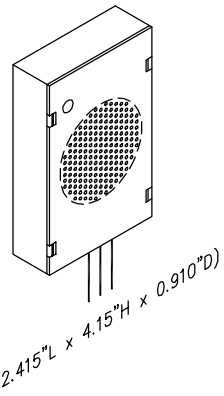
- Hall and car lanterns with 180° viewing angle.

Features:

- Otis luxury series mounting
- Bi-color
- Red down / green up
- Solid side bar/arrow
- 180° viewing angle
- 1 year factory warranty
- Conforms to ADAAG 4.10.4
- Includes gong

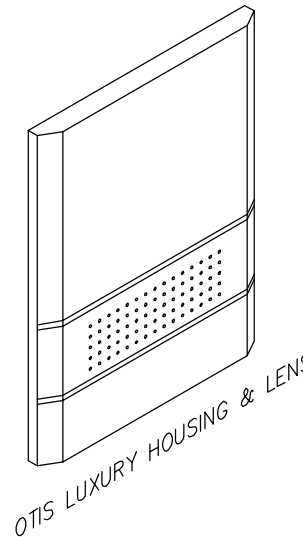
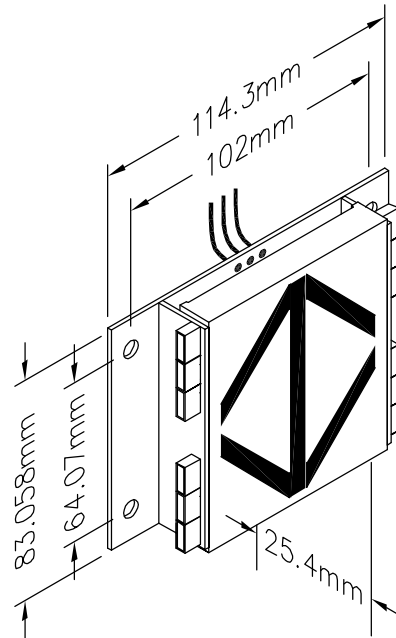
TO ORDER - SPECIFY OLHS-CX

SIGNAL INPUTS:
 "C" = 110VAC



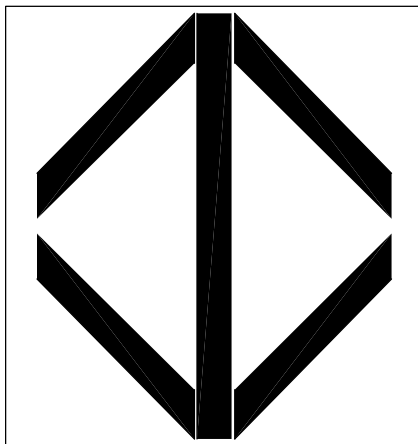
THREE WIRES REQUIRED:

- BLACK - COMMON
- RED - DOWN
- BROWN - UP



RENEWAL PARTS

Display board: 9256400000
 Gong: TG120-PF1



3.0" ARROW