

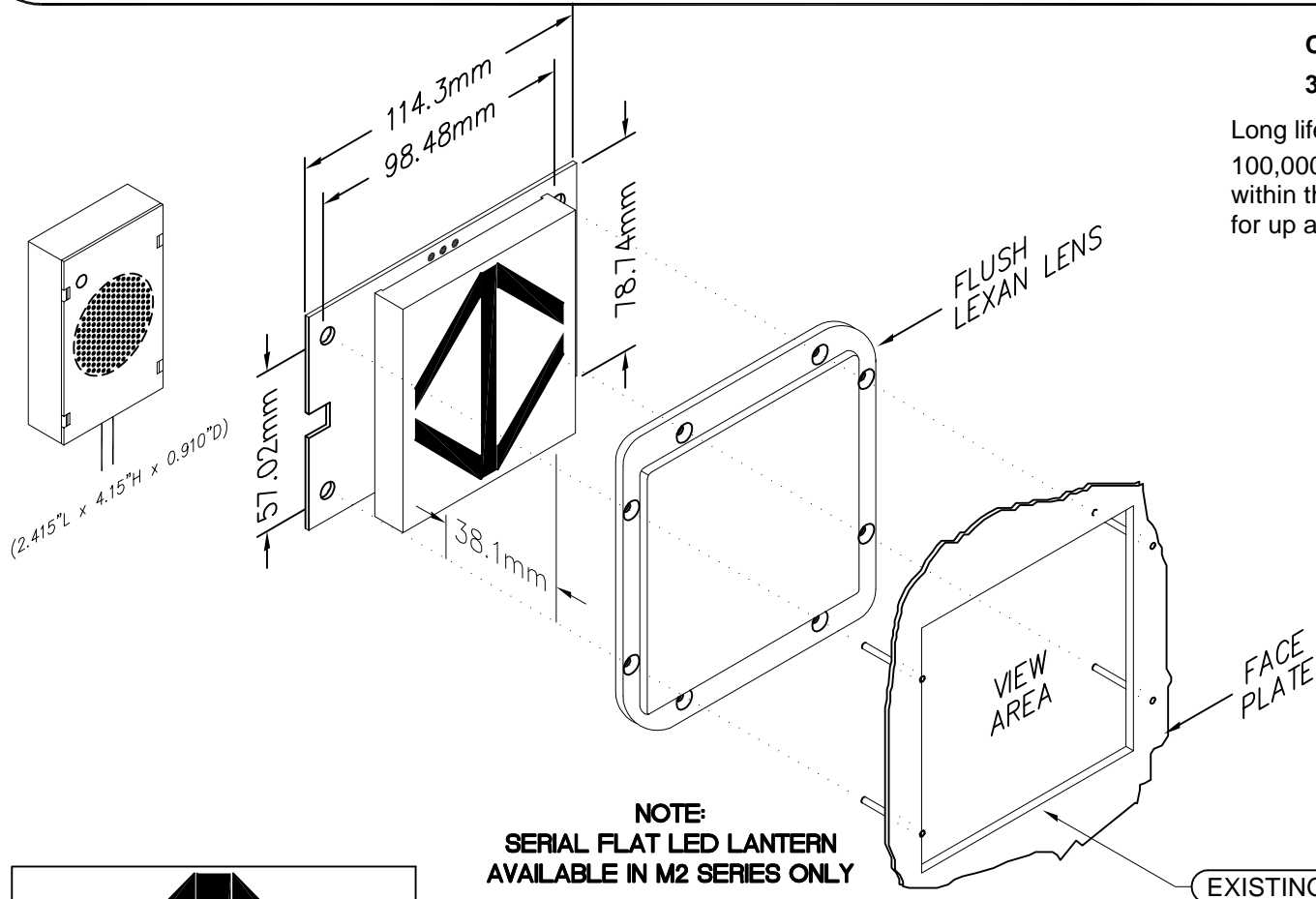


C.E. Electronics, Inc.
 2107 Industrial Drive
 Bryan, OH 43506
 PH (419) 636-6705 FX (419) 636-2516
 www.ceelectronics.com

OAHF-SX

Ver. 5 Rel. 07/12/2012

OTIS®
 411 SERIES



OAHF-SX 3.0" LED FLUSH ARROW

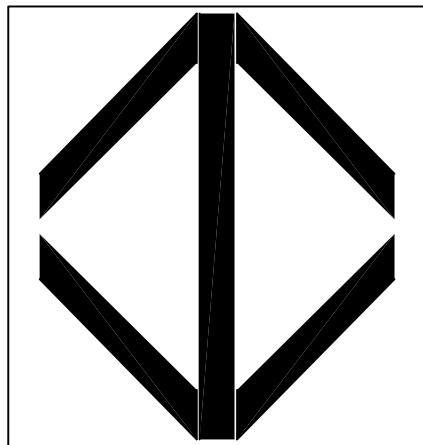
Long life, solid state bi-color or solid blue arrow for lanterns, 100,000 hour rated life. Accepts existing signals within the standard Otis range. The bi-color arrow in green for up and red for down or optional solid blue, or solid white.

Typical Applications:

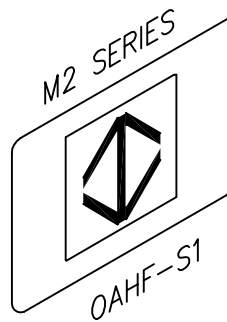
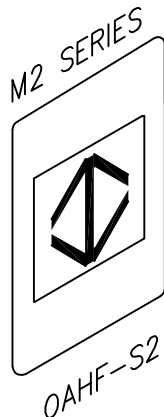
- Hall and car lanterns
- For Otis advance series style fixtures, horizontal or vertical mounting.

Features:

- Otis advance series mounting
- Ultra-thin packaging
- Bi-color or Blue
- Red down / green up or Solid Blue
- 1 year factory warranty
- Conforms to ADAAG 4.10.4
- Includes gong



3.0" ARROW



OTIS MALE
 4 PIN HEADER



RENEWAL PARTS

Display board: 927420000X
 Driver board: 9310500002

Lens: 104-6056

TO ORDER - SPECIFY OAHF-SX

SIGNAL INPUTS:
 OTIS SERIAL CDL LINK

COLOR:
 "W" = WHITE
 "B" = BLUE
 "X" = BI-COLOR