

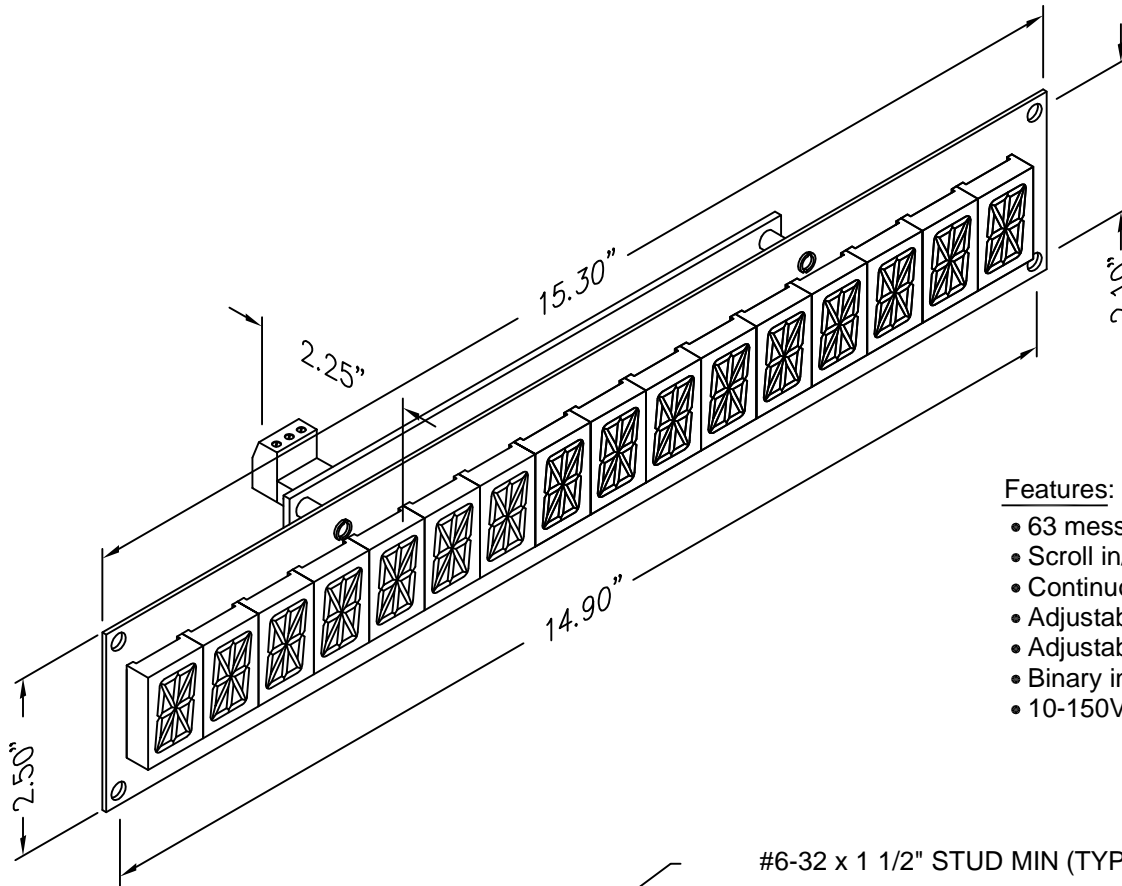


C.E. Electronics, Inc.
 2107 Industrial Drive
 Bryan, OH 43506
 PH (419) 636-6705 FX (419) 636-2516
 www.ceelectronics.com

MSL10-XXXX

Ver. 3 Rel. 2/23/2012

ACCESSORIES

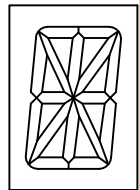


Features:

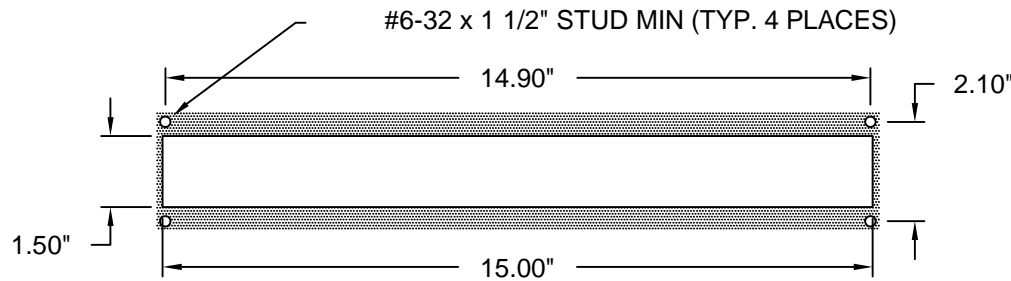
- 63 messages
- Scroll in/Scroll out
- Continuous scroll
- Adjustable flashing
- Adjustable blanking
- Binary inputs
- 10-150VAC/DC inputs

SCROLLING MESSAGE DISPLAY

Versatile scrolling message displays any alphanumeric character within a 1 inch LED 16 digit screen. Various messages can be selected via binary inputs or through C.E.'s Micro Comm 3 wire network. When used with Mtime-x the time, date, and temperature can be displayed as part of a message or it can be shown in a static format. The display is capable of 63 different messages (119 characters per message max). The display is capable of continuous scrolling or can be programmed to scroll in and stop then flash.



1" character



NOTE:

1. If a special voltage is required, please consult factory.
2. To display time, date, or temperature, must purchase as a system which includes MTIME-X and MPROG module. A computer interface is optional.

TO ORDER:-SPECIFY MSL10 - X X X X

COLOR:
"R" = RED

SIGNAL VOLTAGE:
 "A" = POSITIVE 6-20VAC/DC, 24 VAC
 "B" = POSITIVE 24-48VDC, 48VAC
 "C" = POSITIVE 120VAC
 "D" = POSITIVE 125VDC
 "E" = NEGATIVE 6-20VDC
 "F" = NEGATIVE 24-48VDC
 "G" = NEGATIVE 125VDC
 "M" = MICRO COMM

SIGNAL FORMAT:
 "1" = SINGLE LINE/FLOOR *
 "2" = BINARY
 "3" = UNITS & TENS *
 "4" = GRAY CODE
 "5" = INVERTED BINARY
 "6" = SPECIAL
 "M" = MICRO COMM

LENS:
 "R" = RED
 "G" = GRAY
 "X" = NO LENS

RENEWAL PARTS

Lens: 104-5542 RED
 Lens: 104-6105 GRAY

* MAY NEED ADDITIONAL DECODER CARD
 * REMOTE POWER SUPPLY