

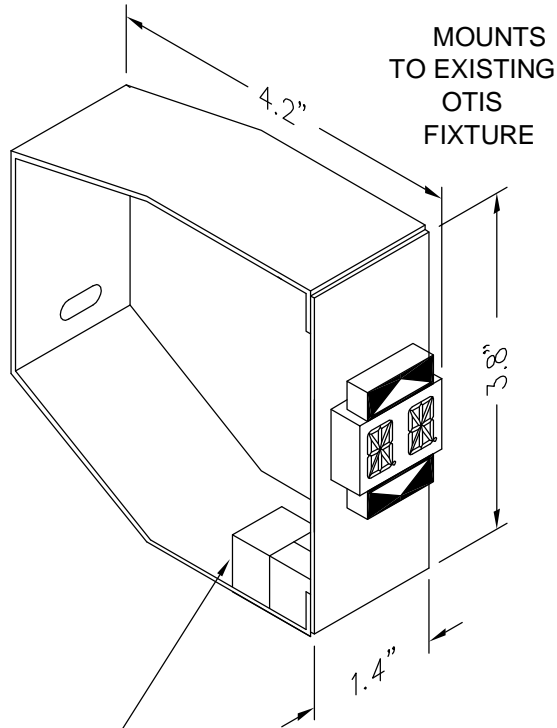


C.E. Electronics, Inc.
 2107 Industrial Drive
 Bryan, OH 43506
 PH (419) 636-6705 FX (419) 636-2516
 www.ccelectronics.com

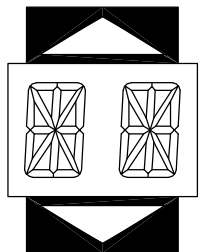
MR105-XXX

Ver. 2 Rel. 10/31/08

DIRECT
REPLACEMENTS



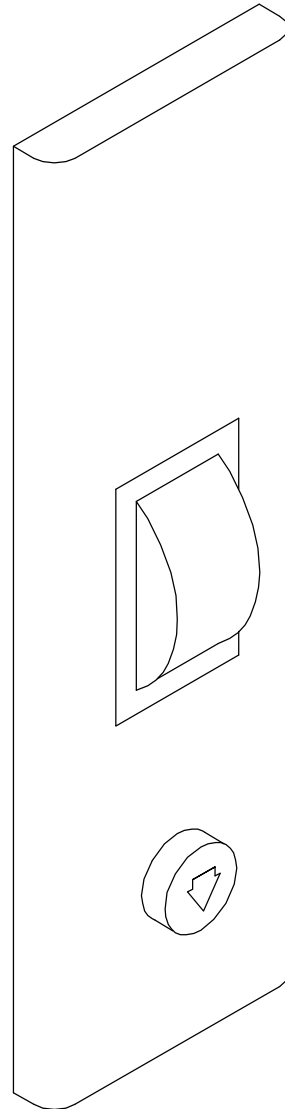
INPUT CONNECTION



1/2" CHARACTERS

NOTE:

1. This is not a stand alone unit. Must be used in conjunction with a MCCU controller.
2. Requires a Micro Comm driver.
3. * Arrows supplied in RED.



EXISTING OTIS FACE PLATE

RENEWAL PARTS

- Lens for Bezel: 104-5590 RED
- Lens for Bezel: 104-6090 GREEN
- Bezel: 70000000
- Lens not needing Bezel: 104-5591 RED
- Lens not needing Bezel: 104-6091 GREEN

SEGMENTED LED DIGITAL INDICATOR

For floor position display, as well as car direction. Any alphanumeric character can be displayed in either single or double digit floor designations. Arrow can be centered over right digit when required.

Typical applications:

- Direction replacement for Otis Roto Dial

Features:

- Fast, 3-wire hookup
- Latched inputs
- Cross wire protected
- Self testing
- Alternate message
- Error detection and correction feature
- Passing chime NOT available on this unit

TO ORDER - SPECIFY MR105 - X X X

*COLOR:

- "R" = RED
- "G" = GREEN

LENS:

- "R1" = Lens with Bezel (Red option)
- "G1" = Lens with Bezel (Green option)
- "R2" = Red Lens Alone
- "G2" = Green Lens Alone
- "R3" = Full Kit (Red)
- "G3" = Full Kit (Green)
- "RX" = No Lens (Red)
- "GX" = No Lens (Green)