

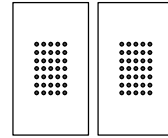
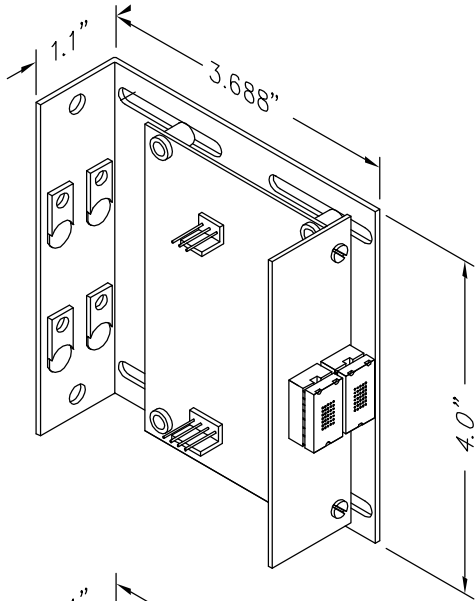


C.E. Electronics, Inc.  
 2107 Industrial Drive  
 Bryan, OH 43506  
 PH (419) 636-6705 FX (419) 636-2516  
 www.ceelectronics.com

# MR103-X / MR107-X

Ver. 1 Rel. 06/17/02

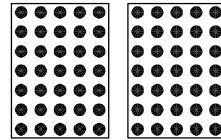
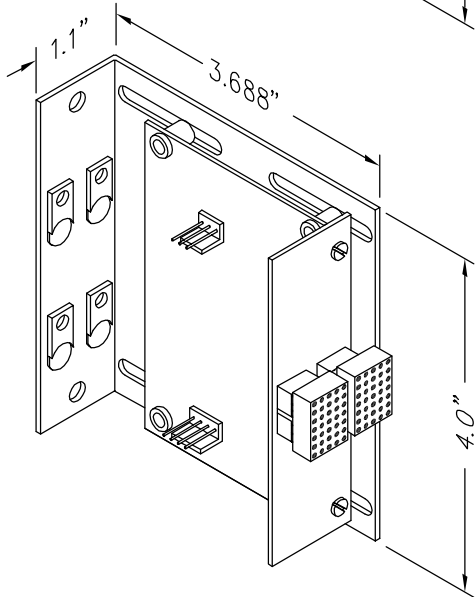
DIRECT  
REPLACEMENTS



.3" CHARACTERS

TO ORDER - SPECIFY MR103 - X

COLOR:  
"R" = RED



.7" CHARACTERS

TO ORDER - SPECIFY MR107 - X

COLOR:  
"R" = RED  
"A" = AMBER  
"G" = GREEN

## DOT MATRIX LED DIGITAL INDICATOR

For floor position display. Any alphanumeric or custom character can be displayed.

### Typical applications:

- Direct replacement for Westinghouse Syncrodial units

### Features:

- Low cost design
- Latched input
- Scrolling & roll over
- Hall lantern option
- Passing chime output
- Self Testing
- Message inputs
- Error detection and correction feature

### NOTE:

1. This is not a stand alone unit. Must be used in conjunction with a MCCU controller.
2. Only three hoist wires required from "CCU" to "RDI".
3. Pluggable terminal block with 8' cable supplied.