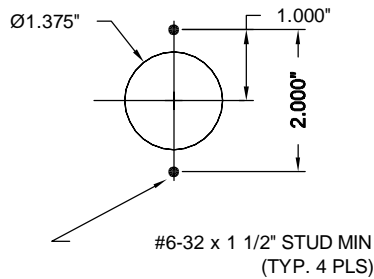
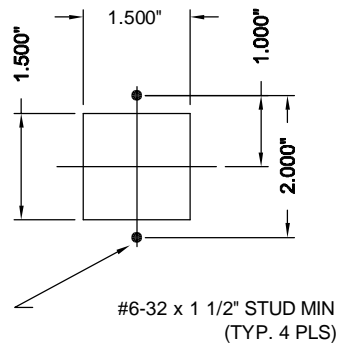
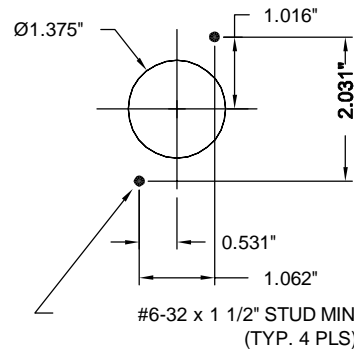
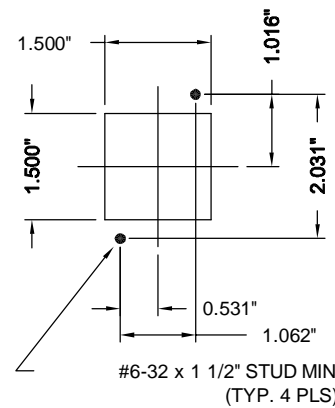


PANEL PREPARATION



RENEWAL PARTS

Lens: 104-5652 RED SQUARE
 Lens: 104-5653 RED ROUND



LED STATUS INDICATORS

LED status indicators were created to offer an inexpensive, long life alternative to bulbs. The status indicators are extremely flexible and can be used in a variety of applications.

Features:

- Inexpensive
- Long life
- Various configurations
- Fits most car and hall button stud patterns

TO ORDER - SPECIFY MLSI4 - X X

4 (RED ONLY) = 40mm x 40mm

SIGNAL VOLTAGE:

- "A" = +/-6VDC, 12VAC
- "B" = +/-12VDC, 24VAC
- "C" = +/-20VDC
- "D" = +/-24VDC
- "E" = +/-28VDC
- "F" = +/-32VDC
- "G" = +/-36VDC
- "H" = +/-48VDC
- "J" = 48VAC
- "K" = +/-60VDC
- "L" = 120VAC
- "N" = +/-125VDC

LENS:

- "A" = ROUND (RED)
- "B" = SQUARE (RED)
- "X" = NO LENS

NOTE:

If a special voltage is required, please consult factory.