

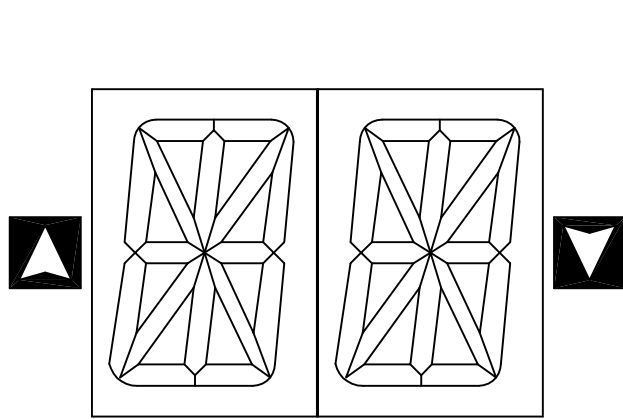
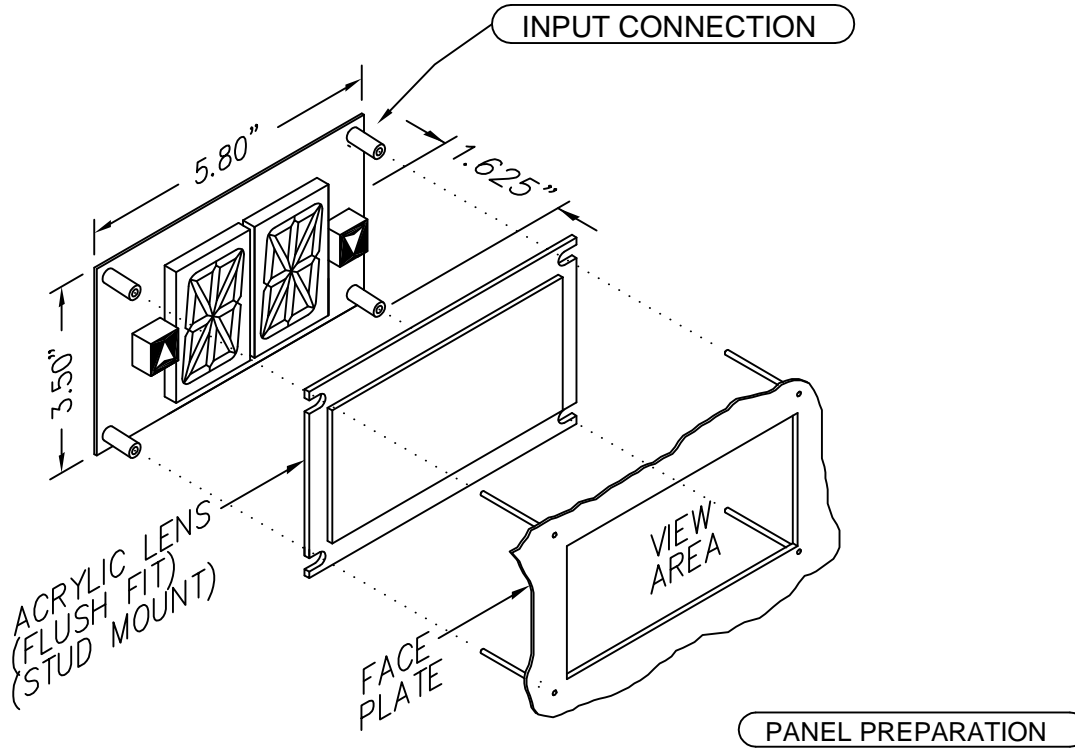


C.E. Electronics, Inc.
 2107 Industrial Drive
 Bryan, OH 43506
 PH (419) 636-6705 FX (419) 636-2516
 www.ceelectronics.com

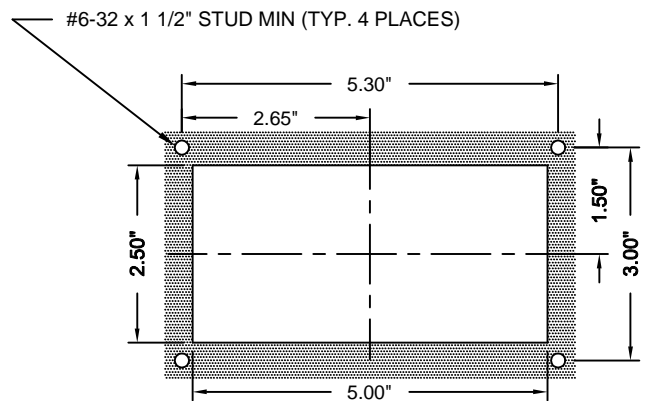
MH622-XXX

Ver. 3 Rel. 8/22/2012

MICRO COMM[®]
 DISPLAYS



2.2" CHARACTERS



CUTOUT TOLERANCE: +.020
 - 0.0

REMOTE DISPLAY INDICATOR "RDI"

Segmented LED, digital indicator for floor position display, as well as car direction. Any alphanumeric character can be displayed in either single or double digit floor designations.

Typical Applications:

- Car-OP Panel
- Transom-car or Hall
- Replaces SA100, SL100 standard displays. Requires driver.

Features:

- Latched inputs
- Cross wire protected
- Self testing
- Alternate message
- Passing chime output
- Error detection and correction feature
- Low Profile

RENEWAL PARTS

- Lens: 104-5585 RED
- Lens: 104-6085 GRAY
- Lens: 104-9585 BLUE

TO ORDER - SPECIFY MH622 - X X X

COLOR:

- "RR" = RED CHARACTER, RED ARROW
- "GR" = GREEN CHARACTER, RED ARROW
- "GG" = GREEN CHARACTER, GREEN ARROW
- "BB" = BLUE CHARACTER, BLUE ARROW
- "WW" = WHITE CHARACTER, WHITE ARROW

LENS:

- "R" = RED
- "G" = GRAY
- "B" = BLUE
- "X" = NO LENS

NOTE:

1. This is not a stand alone unit. Must be used in conjunction with a Micro Comm interface.