

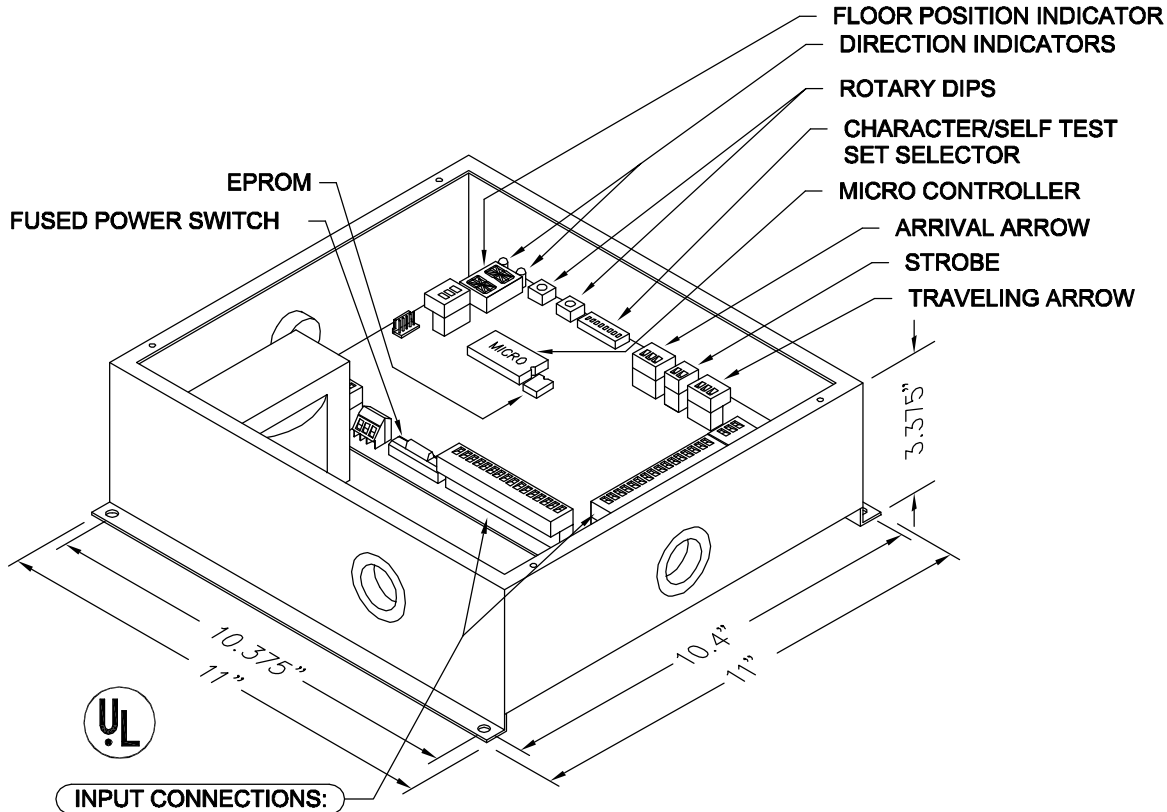


C.E. Electronics, Inc.
 2107 Industrial Drive
 Bryan, OH 43506
 PH (419) 636-6705 FX (419) 636-2516
 www.ceelectronics.com

MCCA-XXXXXXXX

Ver. 1 Rel. 06/18/02

MICRO COMM[®]
 DRIVERS



CENTRAL CONTROL UNIT ("CCU")

UL listed controller

Drives any remote display indicator (RDI's, Voice, Lanterns) on the C.E. Micro Comm 3-wire display network. The "MCCA" accepts the floor select signals in a choice of formats and voltages, does a redundancy check to verify correct inputs, then sends out all necessary signals for digital floor position, car direction and passing chime to all RDI's via 3 wires.

Features:

- UL listed
- Arrival arrows
- Strobe
- Fast, 3-wire hookup
- Latched inputs
- Cross wire protected
- Self testing
- With Alternate message module capable of 8 prioritized messages
- Drives 31 RDI's directly
- Passing chime output
- Error detection and correction feature

TO ORDER: - MCCA - X X X X X X X

NUMBER OF INPUTS:
 "2" = 15 INPUT
 "4" = 31 INPUT
 "5" = 55 INPUT
 *"8" = 119 INPUT

SIGNAL VOLTAGE:
 "A" = POSITIVE 6-20VDC, 6-24VAC
 "B" = POSITIVE 24-48VDC, 24-48VAC
 "C" = 120VAC (Use POSITIVE build)
 "D" = POSITIVE 125VDC
 "E" = NEGATIVE 6-20VDC
 "F" = NEGATIVE 24-48VDC
 "G" = NEGATIVE 125VDC

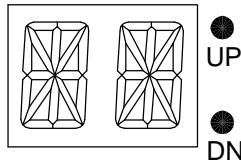
SIGNAL FORMAT:
 "1" = SINGLE LINE/FLOOR
 "2" = BINARY
 "3" = UNITS & TENS
 "4" = GRAY CODE
 "5" = INVERTED BINARY
 "6" = SPECIAL

TRANSFORMER/BUILD
 "A" = 110/120VAC Transformer w/Box
 "B" = 110/120VAC Transformer w/o Box
 "E" = 220/230VAC Transformer w/Box
 "F" = 220/230VAC Transformer w/o Box
 "X" = No Box/No Transformer

STROBE VOLTAGE
 "A" = POSITIVE 6-20VDC, 6-24VAC
 "B" = POSITIVE 24-48VDC, 24-48VAC
 "C" = 120VAC (Use POSITIVE build)
 "D" = POSITIVE 125VDC
 "E" = NEGATIVE 6-20VDC
 "F" = NEGATIVE 24-48VDC
 "G" = NEGATIVE 125VDC

ARRIVAL ARROW VOLTAGE
 "A" = POSITIVE 6-20VDC, 6-24VAC
 "B" = POSITIVE 24-48VDC, 24-48VAC
 "C" = 120VAC (Use POSITIVE build)
 "D" = POSITIVE 125VDC
 "E" = NEGATIVE 6-20VDC
 "F" = NEGATIVE 24-48VDC
 "G" = NEGATIVE 125VDC

TRAVEL ARROW VOLTAGE
 "A" = POSITIVE 6-20VDC, 6-24VAC
 "B" = POSITIVE 24-48VDC, 24-48VAC
 "C" = 120VAC (Use POSITIVE build)
 "D" = POSITIVE 125VDC
 "E" = NEGATIVE 6-20VDC
 "F" = NEGATIVE 24-48VDC
 "G" = NEGATIVE 125VDC



NOTE:

1. If a special voltage is required, please consult factory.
- *2. Requires external decoder board.