

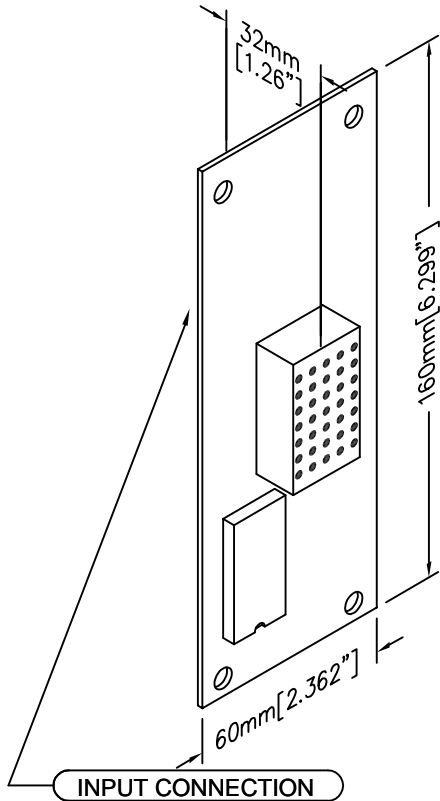


C.E. Electronics, Inc.
 2107 Industrial Drive
 Bryan, OH 43506
 PH (419) 636-6705 FX (419) 636-2516
 www.ceelectronics.com

EV110-XXXXX

Ver. 4 Rel. 02/09/2012

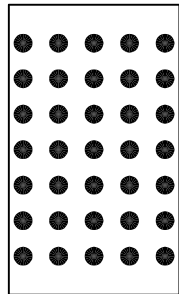
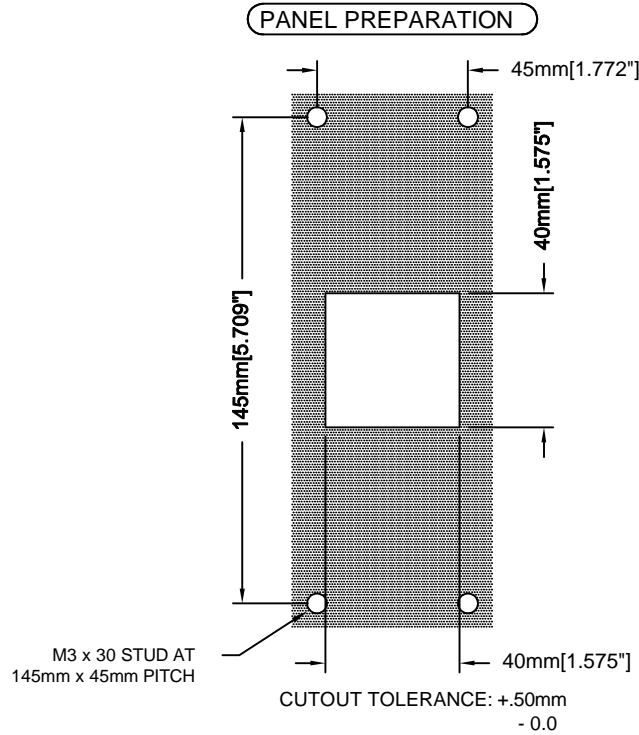
EUROPEAN
 SERIES



INPUT CONNECTION
 SCREW TYPE INPUT CONNECTOR
 12-24VAC/DC INPUT POWER
 AND SIGNAL INPUTS

RENEWAL PARTS

- Lens: 104-5582 RED
- Lens: 104-6107 GRAY
- Lens: 104-9107 BLUE



30mm [1"] CHARACTER

DOT MATRIX

Dot Matrix LED Digital Indicator for floor position display.
 Any alphanumeric or custom character can be displayed.

Typical Applications:

- Car-OP Panel
- Transom-car or Hall

Features:

- Low cost design
- Latched input
- Scrolling & roll over
- Hall lantern option
- Passing chime output
- Self Testing
- Message inputs
- Error detection and correction feature

TO ORDER - SPECIFY EV110 - X X X X X

COLOR:

- "R" = RED
- "A" = AMBER
- "G" = GREEN
- "B" = BLUE
- "W" = WHITE

LENS:

- "R" = RED
- "G" = GRAY
- "B" = BLUE
- "X" = NO LENS

NUMBER OF INPUTS:

- "1" = 7 INPUT
- "M" = MICRO COMM 3 WIRE INPUT *
- "P" = MICRO COMM INPUT W/ PASSING CHIME *
- "S" = BOTH DIRECT & MICRO COMM INPUT

SIGNAL VOLTAGE:

- "A" = POSITIVE 6-20VAC/DC, 24VAC
- "B" = POSITIVE 24-48VDC, 48VAC
- "C" = POSITIVE 120VAC
- "D" = POSITIVE 125VDC
- "E" = NEGATIVE 6-20VDC
- "F" = NEGATIVE 24-48VDC
- "G" = NEGATIVE 125VDC
- "X" = NO SELECTION

SIGNAL FORMAT:

- "1" = SINGLE LINE/FLOOR
- "2" = BINARY
- "4" = GRAY CODE
- "6" = SPECIAL
- "X" = NO SELECTION

NOTE:

1. If a special voltage is required, please consult factory.
2. A supply of 12-24VAC/DC positive or negative is also required.
- *3. This is not a stand alone unit. Must be used in conjunction with a Micro Comm interface.