

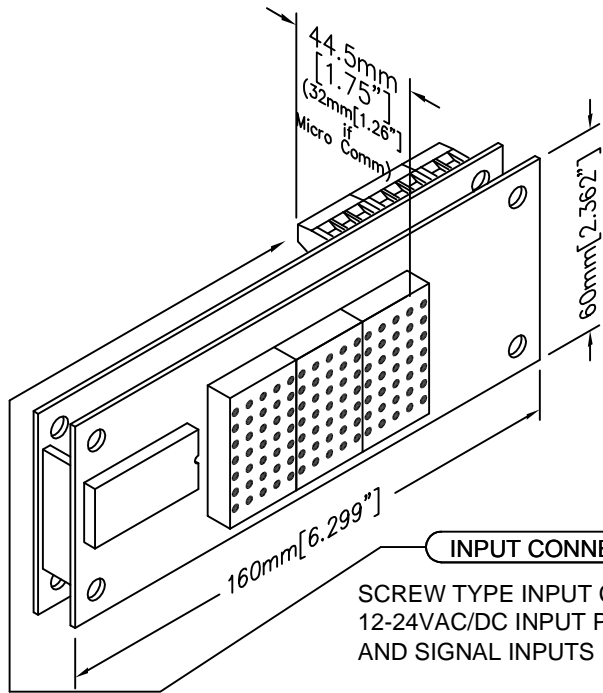


C.E. Electronics, Inc.
 2107 Industrial Drive
 Bryan, OH 43506
 PH (419) 636-6705 FX (419) 636-2516
 www.ccelectronics.com

EH310-XXXXX

Ver. 7 Rel. 02/09/2012

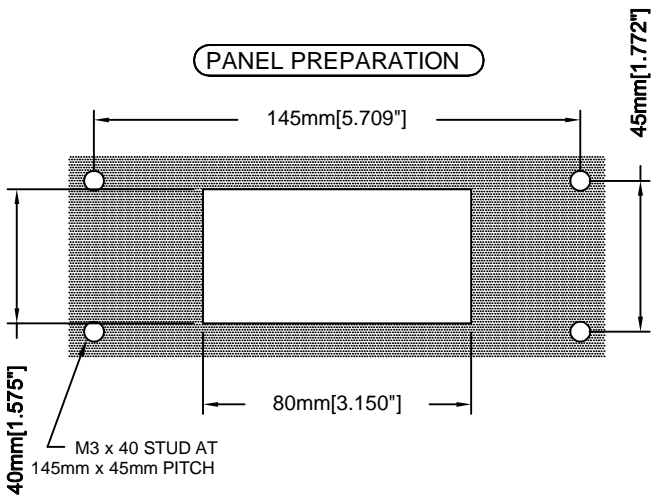
EUROPEAN
 SERIES



INPUT CONNECTION

SCREW TYPE INPUT CONNECTOR
 12-24VAC/DC INPUT POWER
 AND SIGNAL INPUTS

PANEL PREPARATION



CUTOUT TOLERANCE: +.50mm
 - 0.0

DOT MATRIX

Dot Matrix LED Digital Indicator for floor position display, as well as car direction, if desired. Any alphanumeric or custom character can be displayed in either single digit with separate "UP" and "DOWN" arrow. Double digit with single "UP/DOWN" arrow, or triple digit floor designations.

Typical Applications:

- Car-OP Panel
- Transom-car or Hall

Features:

- Low cost design
- Self contained unit
- Latched input
- Scrolling & roll over
- Hall lantern option
- Passing chime output
- Self Testing
- Message inputs
- Error detection and correction feature

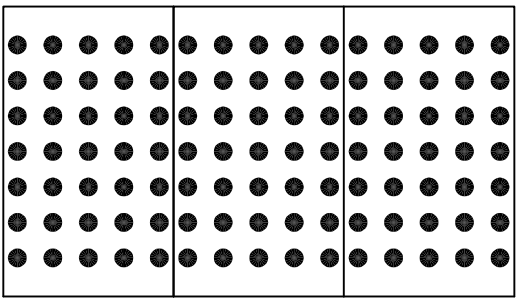
TO ORDER - SPECIFY EH310 - X X X X X

COLOR:

- "R" = RED
- "A" = AMBER
- "G" = GREEN
- "B" = BLUE
- "W" = WHITE
- "M" = MIXED

LENS:

- "R" = RED
- "G" = GRAY
- "B" = BLUE
- "X" = NO LENS



30mm [1"] CHARACTERS

RENEWAL PARTS

- Lens: 104-5581 RED
- Lens: 104-6081 GRAY
- Lens: 104-9081 BLUE

NUMBER OF INPUTS:

- "1" = 8 INPUTS
- "2" = 15 INPUTS
- "M" = MICRO COMM 3 WIRE INPUT
- "P" = MICRO COMM INPUT W/ PASSING CHIME
- "S" = BOTH DIRECT & MICRO COMM INPUT

SIGNAL VOLTAGE:

- "A" = POSITIVE 6-20VDC, 6-24VAC
- "B" = POSITIVE 24-48VDC, 24-48VAC
- "C" = 120VAC
- "D" = POSITIVE 125VDC
- "E" = NEGATIVE 6-20VDC
- "F" = NEGATIVE 24-48VDC
- "G" = NEGATIVE 125VDC
- "X" = IF MICRO COMM

SIGNAL FORMAT:

- "1" = SINGLE LINE/FLOOR
- "2" = BINARY
- "4" = GRAY CODE
- "6" = SPECIAL
- "X" = NO SELECTION

NOTE:

1. If a special voltage is required, please consult factory.
2. A supply of 12-24VAC/DC positive or negative is also required.