

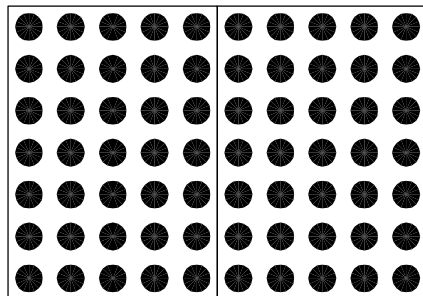
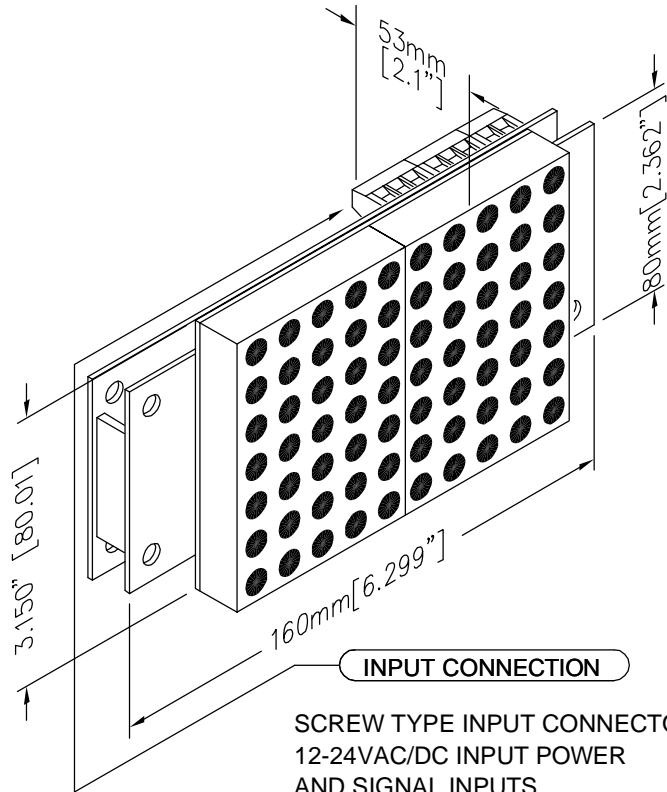


C.E. Electronics, Inc.
 2107 Industrial Drive
 Bryan, OH 43506
 PH (419) 636-6705 FX (419) 636-2516
 www.ceelectronics.com

EH230-XXXXX

Ver. 4 Rel. 11/25/08

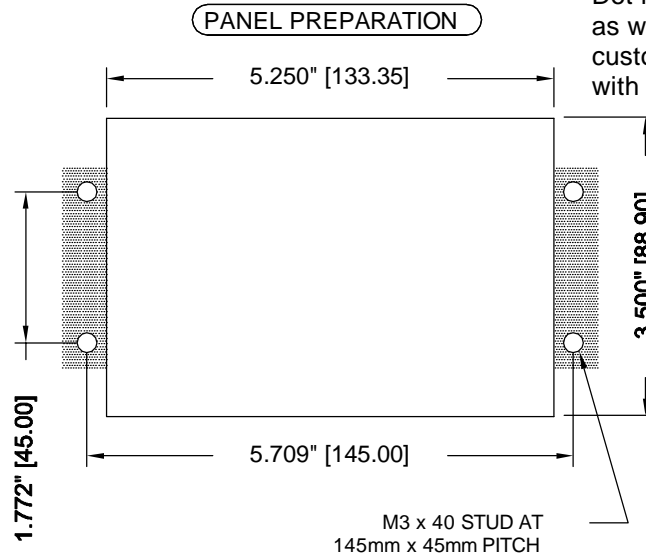
EUROPEAN
SERIES



75mm [3"] CHARACTER

NOTE:

1. If a special voltage is required, please consult factory.
2. A supply of 12-24VAC/DC positive or negative is also required.
- *3. This is not a stand alone unit. Must be used in conjunction with a Micro Comm interface.



DOT MATRIX

Dot Matrix LED Digital Indicator for floor position display, as well as car direction, if desired. Any alphanumeric or custom character can be displayed in either single digit with arrow or double digit floor designations.

Typical Applications:

- Car-OP Panel
- Transom-car or Hall

Features:

- Low cost design
- Self contained unit
- Latched input
- Scrolling & roll over
- Hall lantern option
- Passing chime output
- Self Testing
- Message inputs
- Error detection and correction feature

RENEWAL PARTS

Lens: 104-5583 RED

TO ORDER - SPECIFY EH230 - X X X X X

COLOR:
"R" = RED

LENS:
"R" = RED
"X" = NO LENS

NUMBER OF INPUTS:

- "1" = 8 INPUTS
- "2" = 15 INPUTS
- "M" = MICRO COMM 3 WIRE INPUT *
- "P" = MICRO COMM INPUT W/ PASSING CHIME*
- "S" = BOTH DIRECT & MICRO COMM INPUT

SIGNAL VOLTAGE:

- "A" = POSITIVE 6-20VDC, 6-24VAC
- "B" = POSITIVE 24-48VDC, 24-48VAC
- "C" = 120VAC
- "D" = POSITIVE 125VDC
- "E" = NEGATIVE 6-20VDC
- "F" = NEGATIVE 24-48VDC
- "G" = NEGATIVE 125VDC
- "X" = IF MICRO COMM

SIGNAL FORMAT:

- "1" = SINGLE LINE/FLOOR
- "2" = BINARY
- "4" = GRAY CODE
- "6" = SPECIAL
- "X" = NO SELECTION