



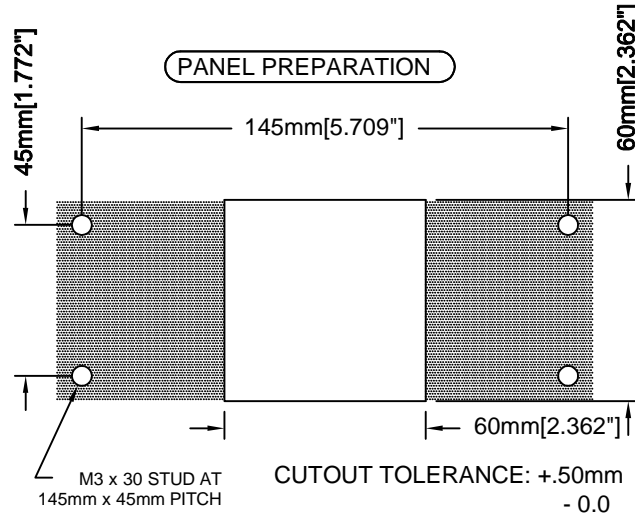
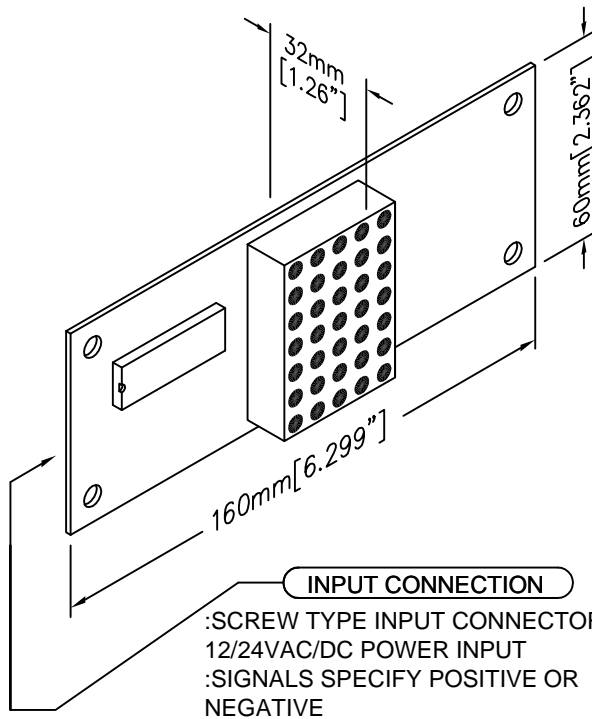
# EH120-XXXX

Ver. 4 Rel. 02/09/2012

EUROPEAN  
SERIES

## DOT MATRIX

Dot Matrix LED Digital Indicator for floor position display.  
 Any alphanumeric or custom character can be displayed.

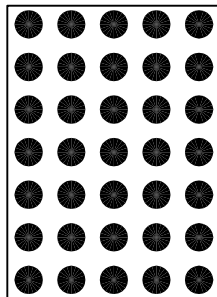


### Typical Applications:

- Car-OP Panel
- Transom-car or Hall

### Features:

- Low cost design
- Self contained unit
- Latched input
- Scrolling & roll over
- Hall lantern option
- Passing chime output
- Self Testing
- Message inputs
- Error detection and correction feature



50mm [2"] CHARACTER

### RENEWAL PARTS

- Lens: 104-5578 RED
- Lens: 104-6045 GRAY
- Lens: 104-9045 BLUE

### TO ORDER - SPECIFY EH120 - X X X X X

#### COLOR:

- "R" = RED
- "A" = AMBER
- "G" = GREEN
- "B" = BLUE
- "W" = WHITE

#### LENS:

- "R" = RED
- "G" = GRAY
- "B" = BLUE
- "X" = NO LENS

#### NUMBER OF INPUTS:

- "1" = 7 INPUT
- "M" = MICRO COMM 3 WIRE INPUT
- "P" = MICRO COMM INPUT W/ PASSING CHIME
- "S" = BOTH DIRECT & MICRO COMM INPUT

#### SIGNAL VOLTAGE:

- "A" = POSITIVE 6-20VDC, 6-24VAC
- "B" = POSITIVE 24-48VDC, 24-48VAC
- "C" = 120VAC
- "D" = POSITIVE 125VDC
- "E" = NEGATIVE 6-20VDC
- "F" = NEGATIVE 24-48VDC
- "G" = NEGATIVE 125VDC
- "X" = IF MICRO COMM

#### SIGNAL FORMAT:

- "1" = SINGLE LINE/FLOOR
- "2" = BINARY
- "4" = GRAY CODE
- "6" = SPECIAL
- "X" = NO SELECTION

### NOTE:

1. If a special voltage is required, please consult factory.
2. A supply of 12-24VAC/DC positive or negative is also required.