

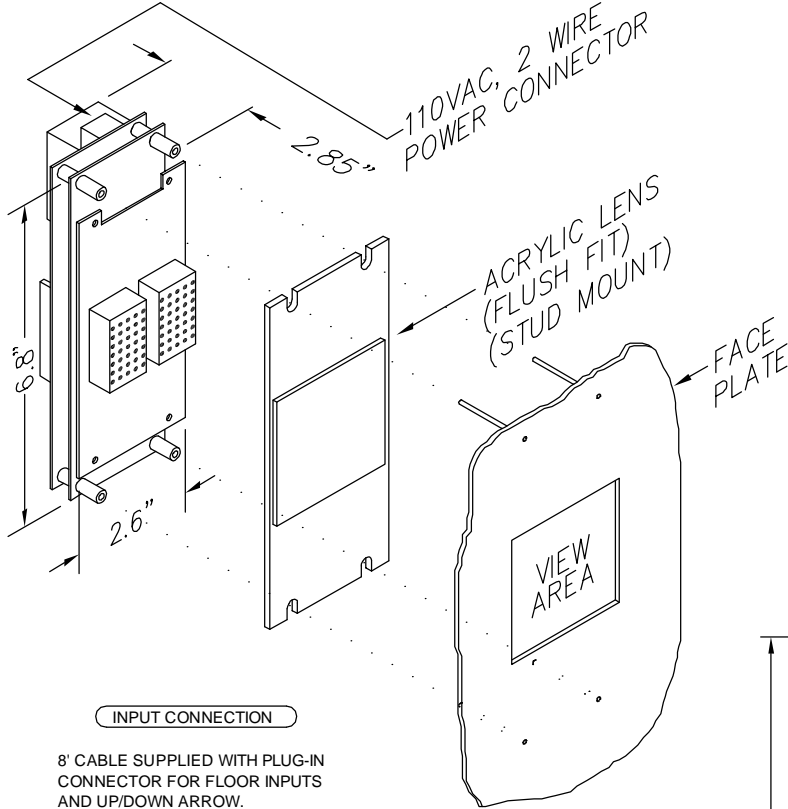


C.E. Electronics, Inc.  
 2107 Industrial Drive  
 Bryan, OH 43506  
 PH (419) 636-6705 FX (419) 636-2516  
 www.ceelectronics.com

# DV210-XXXXX

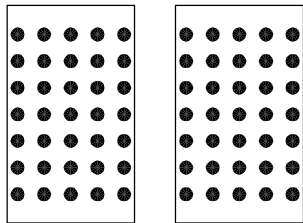
Ver. 7 Rel. 08/17/2011

COMPETITOR  
 DOT MATRIX



**INPUT CONNECTION**

8' CABLE SUPPLIED WITH PLUG-IN CONNECTOR FOR FLOOR INPUTS AND UP/DOWN ARROW.

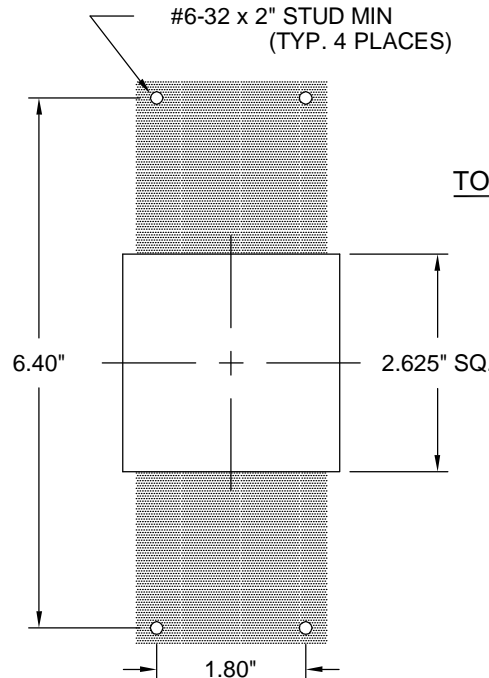


1" CHARACTERS

**RENEWAL PARTS**

- Lens: 104-3011 RED
- Lens: 104-6019 GRAY
- Lens: 104-9019 BLUE

**PANEL PREPARATION**



CUTOUT TOLERANCE: +.020  
 - 0.0

**DOT MATRIX LED DIGITAL INDICATOR**

Dot matrix LED digital indicator for floor position display, as well as car direction, if desired. Any alphanumeric or custom character can be displayed in either single digit with arrow or double digit floor designations.

Typical Applications

- Hall stations
- Jamb mount

Features

- Low cost design
- Self contained unit
- Latched input
- Self testing
- Scrolling
- Passing chime output
- Error detection and correction feature
- UL listed

TO ORDER:-SPECIFY DV210 - X X X X X

**COLOR:**

- "0" = MIXED
- "R" = RED
- "A" = AMBER
- "G" = GREEN
- "B" = BLUE \*
- "W" = WHITE

**NUMBER OF INPUTS:**

- "0" = 16 INPUT OR LESS
- "1" = 31 INPUT
- "M" = MICRO COMM \*

**LENS:**

- "R" = RED
- "G" = GRAY
- "B" = BLUE
- "X" = NO LENS

**SIGNAL FORMAT:**

- "1" = SINGLE LINE/FLOOR
- "2" = BINARY
- "3" = UNITS & TENS
- "4" = GRAY CODE
- "5" = INVERTED BINARY
- "6" = SPECIAL
- "X" = IF MICRO COMM

**SIGNAL VOLTAGE:**

- "A" = POSITIVE 6-20VDC, 6-24VAC
- "B" = POSITIVE 24-48VDC, 24-48VAC
- "C" = 120VAC
- "D" = POSITIVE 125VDC
- "E" = NEGATIVE 6-20VDC
- "F" = NEGATIVE 24-48VDC
- "G" = NEGATIVE 125VDC
- "X" = IF MICRO COMM

**NOTE:**

1. If a special voltage is required, please consult factory.
2. \* 110VAC not required for power supply on Micro Comm units
3. \* Blue can not be mixed with other colors