

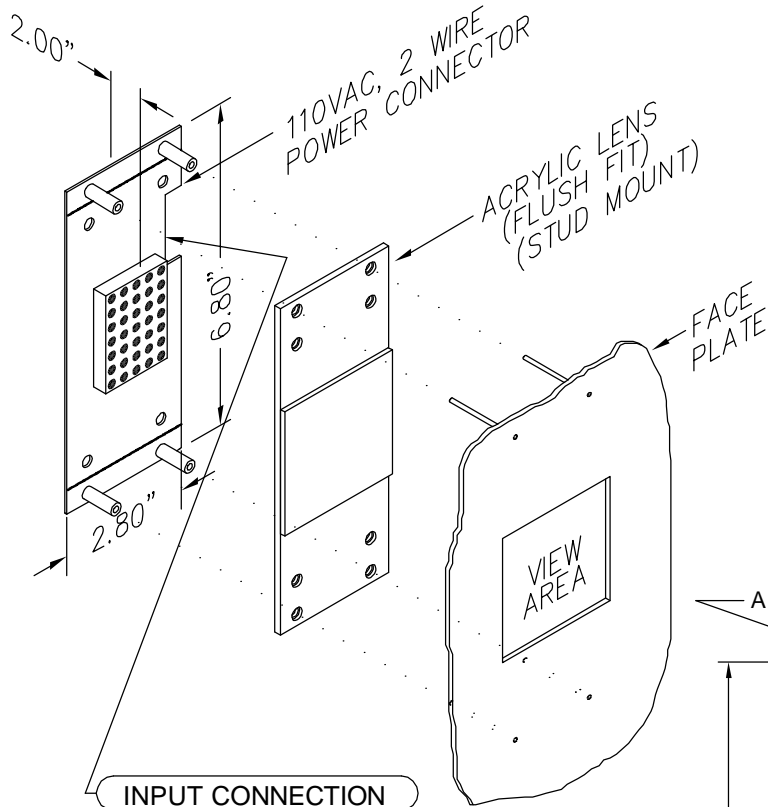


C.E. Electronics, Inc.
 2107 Industrial Drive
 Bryan, OH 43506
 PH (419) 636-6705 FX (419) 636-2516
 www.ceelectronics.com

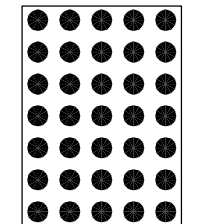
DV120-X0XXX

Ver. 5 Rel. 08/17/2011

COMPETITOR
 DOT MATRIX



8' CABLE SUPPLIED WITH PLUG-IN CONNECTOR SUPPLIED



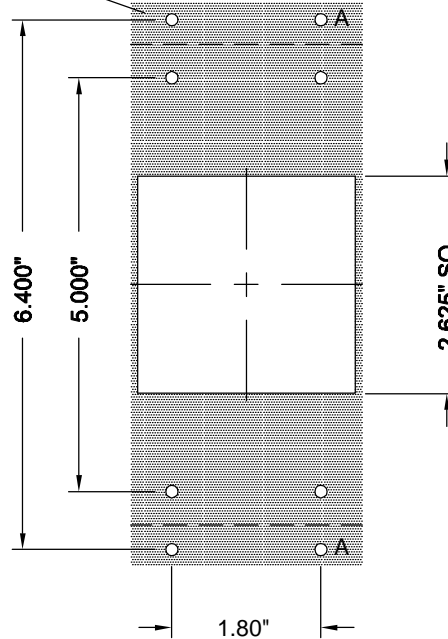
2" CHARACTER

RENEWAL PARTS

- Lens: 104-3011 RED
- Lens: 104-6019 GRAY
- Lens: 104-9019 BLUE

PANEL PREPARATION

A = #6-32 x 1 1/2" STUD MIN (TYP. 4 PLACES)



CUTOUT TOLERANCE: +.020
 - 0.0

DOT MATRIX LED DIGITAL INDICATOR

Dot matrix LED digital indicator for floor position display. Any alphanumeric or custom character can be displayed.

Typical Applications

- Hall stations
- Jamb mount

Features

- Low cost design
- Self contained unit
- Latched input
- Self testing
- 13 inputs
- Passing chime output
- Error detection and correction feature
- UL listed

TO ORDER:-SPECIFY DV120 - X 0 X X X

COLOR:

- "R" = RED
- "A" = AMBER
- "G" = GREEN
- "B" = BLUE
- "W" = WHITE

LENS:

- "R" = RED
- "G" = GRAY
- "B" = BLUE
- "X" = NO LENS

NUMBER OF INPUTS:

"0" = 13 INPUT OR LESS

SIGNAL VOLTAGE:

- "A" = POSITIVE 6-20VDC, 6-24VAC
- "B" = POSITIVE 24-48VDC, 24-48VAC
- "C" = 120VAC
- "D" = POSITIVE 125VDC
- "E" = NEGATIVE 6-20VDC
- "F" = NEGATIVE 24-48VDC
- "G" = NEGATIVE 125VDC

SIGNAL FORMAT:

- "1" = SINGLE LINE/FLOOR
- "2" = BINARY
- "3" = UNITS & TENS
- "4" = GRAY CODE
- "5" = INVERTED BINARY
- "6" = SPECIAL

NOTE:

- If a special voltage is required, please consult factory.