

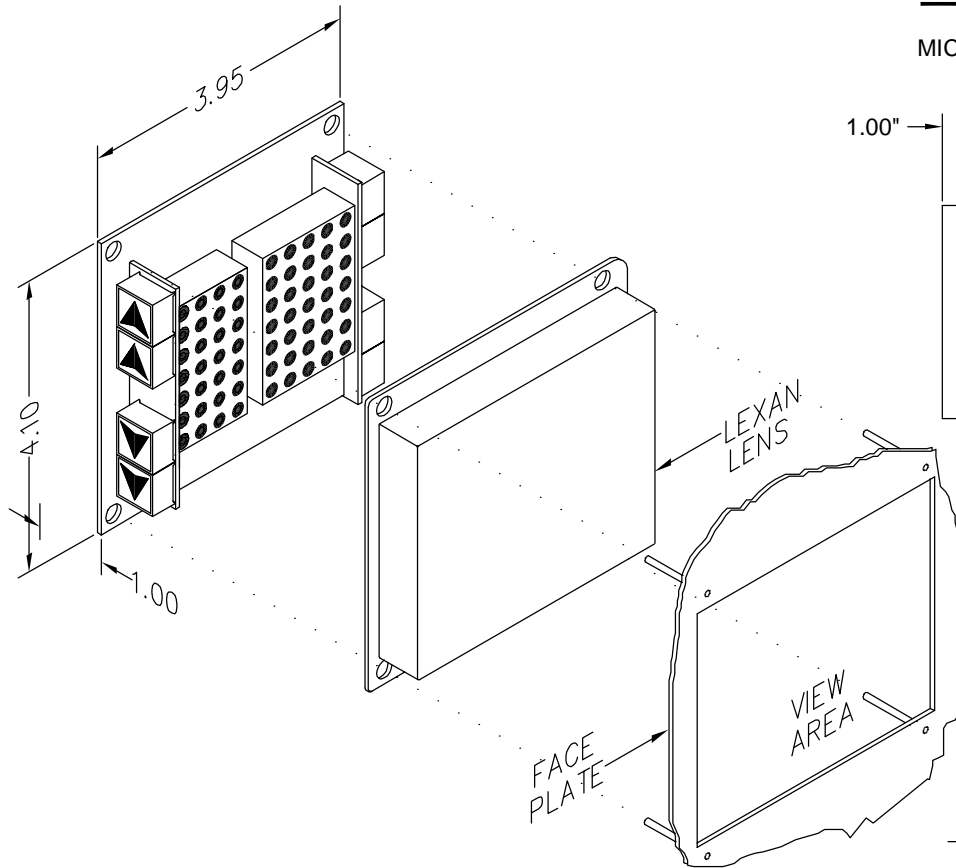


C.E. Electronics, Inc.
 2107 Industrial Drive
 Bryan, OH 43506
 PH (419) 636-6705 FX (419) 636-2516
 www.ceelectronics.com

DS220A-XX

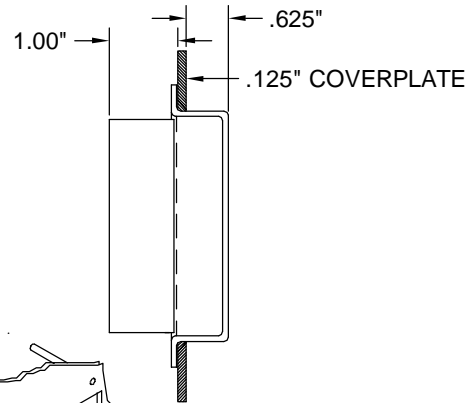
Ver. 1 Rel. 05/25/10

MICRO COMM[®]
 DISPLAYS



SIDE VIEW

MICRO COMM



2.0" DOT MATRIX LED

Dot Matrix LED, digital indicator for floor position display and direction with viewing arrows. Any alphanumeric character can be displayed.

Typical applications:

- Car-op panel
- Transom-car or Hall

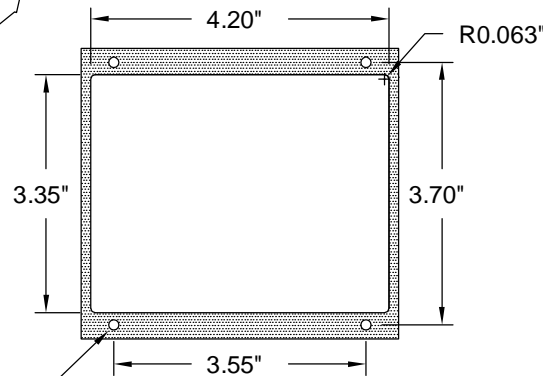
Features:

- Fast 3 wire hookup
- Latched inputs
- Self testing
- Alternate message
- Passing chime output
- Side arrows
- Error detection and correction

RENEWAL PARTS

Lens: 104-6023 GRAY

PANEL PREPARATION



#6-32 x 1/2" STUD MIN
 (TYP. 4 PLACES)

CUTOUT TOLERANCE: +.020

- 0.0

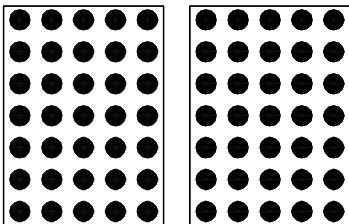
TO ORDER - SPECIFY DS220A - X X

COLOR:

- "R" = RED
- "G" = GREEN
- "B" = BLUE

LENS:

- "G" = GRAY
- "X" = NO LENS



2" CHARACTERS