

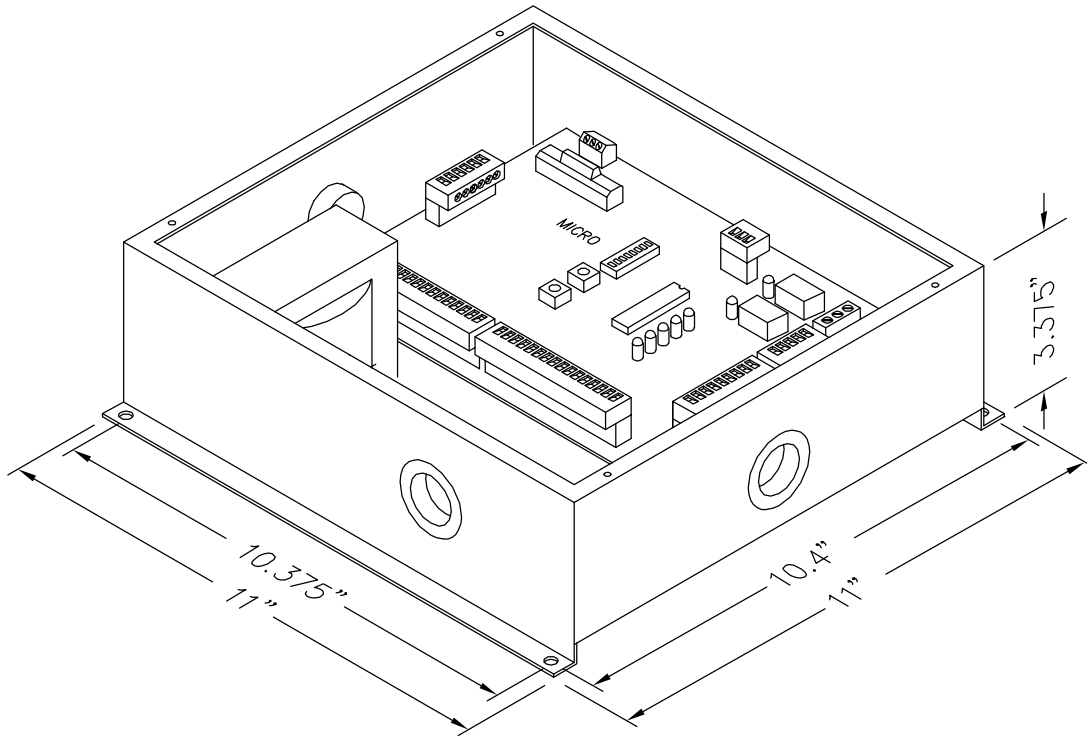


C.E. Electronics, Inc.
 2107 Industrial Drive
 Bryan, OH 43506
 PH (419) 636-6705 FX (419) 636-2516
 www.ceelectronics.com

DPCXX-XXXX

Ver. 1 Rel. 06/17/02

A.D.A.



DIRECTION PREFERENCE CONTROL UNIT

Save hours and time by following a few parameters. This unit determines the direction preference for a controller without lantern logic. The unit makes intelligent decisions based on the information given, then provides the correct output. Dry contact relays are given for up and down indications with an option for Micro Comm serial lanterns.

Features:

- Machine room mount
- Self-contained
- Opto isolated inputs
- Pluggable connection
- Fused
- Relay output
- Optional serial lantern output
- Conforms to ADAAG 4.10.4

TO ORDER - SPECIFY DPC XX - X X X X X

- "05" = FIVE FLOORS
- "09" = NINE FLOORS
- "13" = THIRTEEN FLOORS
- "17" = SEVENTEEN FLOORS

TERMINAL LANDING VOLTAGE (A-G)

TRAVELING ARROW VOLTAGE (A-G)

HALL CALLS VOLTAGE (A-G)

DOOR STROBE VOLTAGE (A-G)

SERIAL LANTERN VOLTAGE (A-G, X)

SIGNAL VOLTAGES:

- "A" = POSITIVE 6-20VAC/DC, 24VAC
- "B" = POSITIVE 24-48VDC, 48VAC
- "C" = POSITIVE 120VAC
- "D" = POSITIVE 125VDC
- "E" = NEGATIVE 6-20VDC
- "F" = NEGATIVE 24-48VDC
- "G" = NEGATIVE 125VDC
- "X" = NO SELECTION (LANTERN OPTION ONLY)

NOTE:

1. Illuminated hall buttons needed for use of this device.
2. If a special voltage is required, please consult factory.