

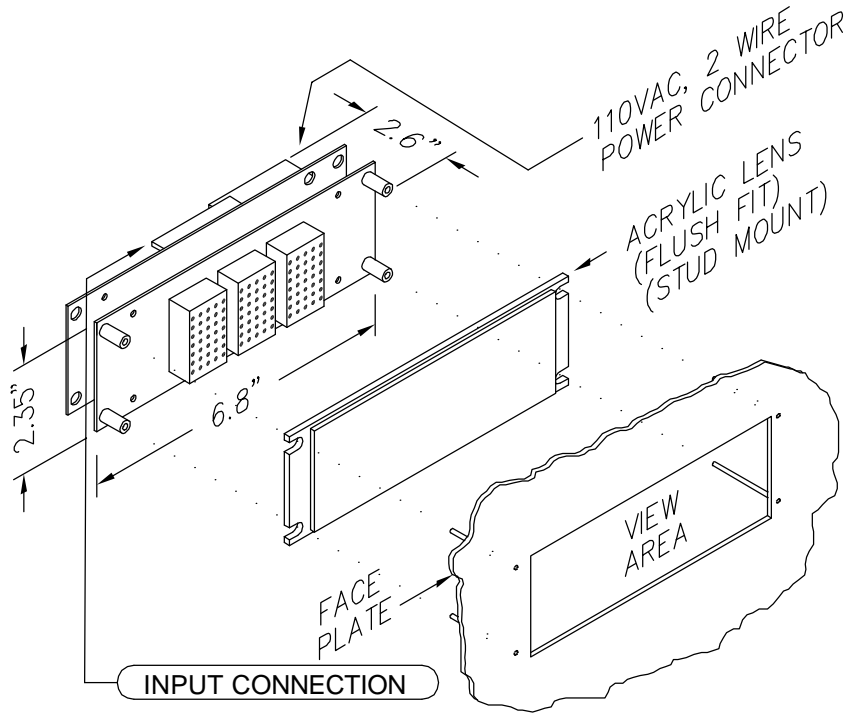


C.E. Electronics, Inc.  
 2107 Industrial Drive  
 Bryan, OH 43506  
 PH (419) 636-6705 FX (419) 636-2516  
 www.ceelectronics.com

# DH310-XXXXX

Ver. 6 Rel. 08/17/2011

COMPETITOR  
 DOT MATRIX



8' CABLE SUPPLIED WITH PLUG-IN  
 CONNECTOR SUPPLIED

### RENEWAL PARTS

- Lens: 104-5575 RED
- Lens: 104-6075 GRAY
- Lens: 104-9075 BLUE

### DOT MATRIX LED DIGITAL INDICATOR

Dot matrix LED digital indicator for floor position display, as well as car direction, if desired. Any alphanumeric or custom character can be displayed in either single digit with separate "UP" and "DOWN" arrows. Double digit with single "UP/DOWN" arrow, or triple digit floor designations.

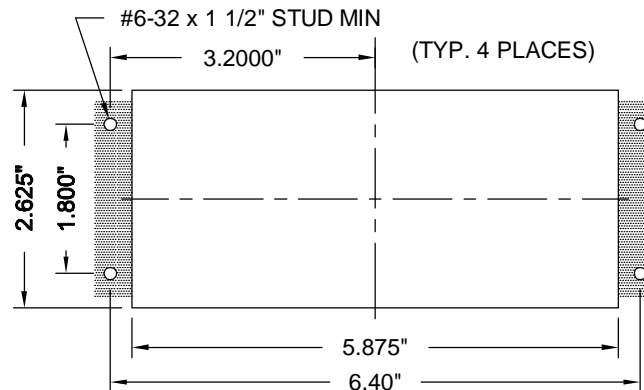
#### Typical Applications

- Car-OP Panel
- Transom-car or Hall

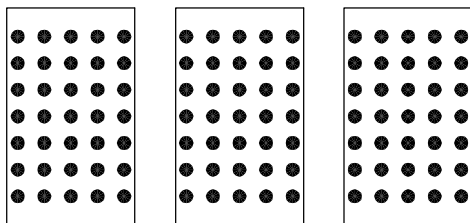
#### Features

- Low cost design
- Self contained unit
- Latched input
- Self testing
- Scrolling
- Passing chime output
- Error detection and correction feature
- UL listed

### PANEL PREPARATION



CUTOUT TOLERANCE: +.020  
 - 0.0



1" CHARACTERS

#### NOTE:

1. If a special voltage is required, please consult factory.
2. \* 110VAC not required for power supply on Micro Comm units
3. \* Blue can not be mixed with other colors

### TO ORDER:-SPECIFY DH310 - X X X X X

COLOR:  
 "0" = MIXED  
 "R" = RED  
 "A" = AMBER  
 "G" = GREEN  
 "B" = BLUE \*  
 "W" = WHITE

NUMBER OF INPUTS:  
 "0" = 16 INPUT OR LESS  
 "1" = 31 INPUT  
 "M" = MICRO COMM \*

LENS:  
 "R" = RED  
 "G" = GRAY  
 "B" = BLUE  
 "X" = NO LENS

SIGNAL FORMAT:  
 "1" = SINGLE LINE/FLOOR  
 "2" = BINARY  
 "3" = UNITS & TENS  
 "4" = GRAY CODE  
 "5" = INVERTED BINARY  
 "6" = SPECIAL  
 "X" = IF MICRO COMM

SIGNAL VOLTAGE:  
 "A" = POSITIVE 6-20VDC, 6-24VAC  
 "B" = POSITIVE 24-48VDC, 24-48VAC  
 "C" = 120VAC  
 "D" = POSITIVE 125VDC  
 "E" = NEGATIVE 6-20VDC  
 "F" = NEGATIVE 24-48VDC  
 "G" = NEGATIVE 125VDC  
 "X" = IF MICRO COMM