

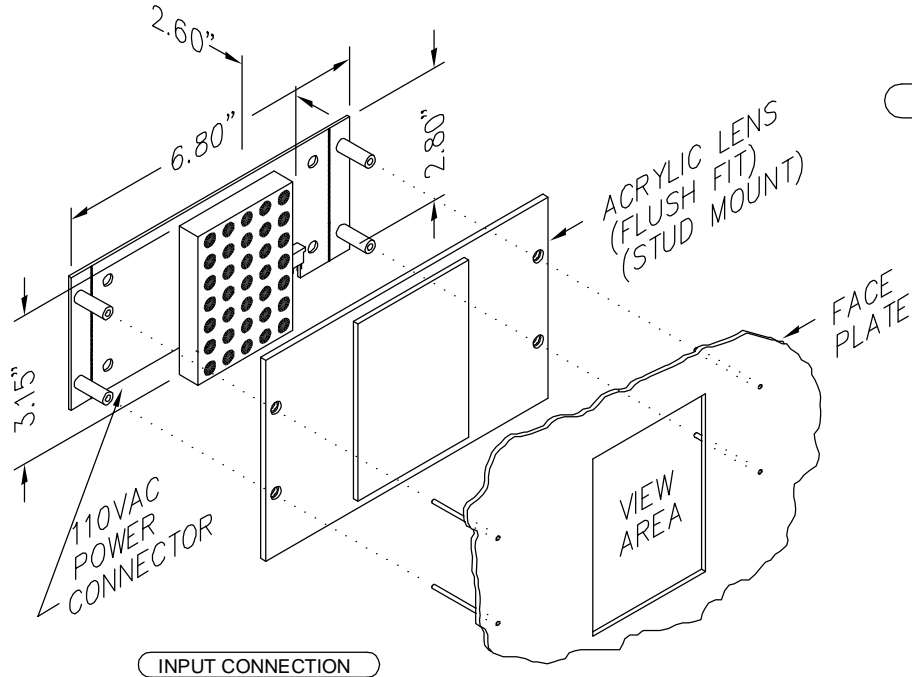


C.E. Electronics, Inc.  
 2107 Industrial Drive  
 Bryan, OH 43506  
 PH (419) 636-6705 FX (419) 636-2516  
 www.ceelectronics.com

# DH130-R0XXX

Ver. 2 Rel. 11/03/08

COMPETITOR  
 DOT MATRIX



**RENEWAL PARTS**

Lens: 104-5576 RED

**DOT MATRIX LED DIGITAL INDICATOR**

Dot matrix LED digital indicator for floor position display. Any alphanumeric or custom character can be displayed.

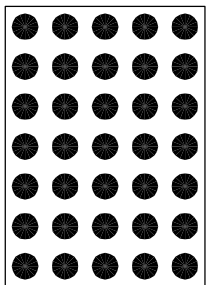
Typical Applications

- Car-OP Panel
- Transom-car or Hall

Features

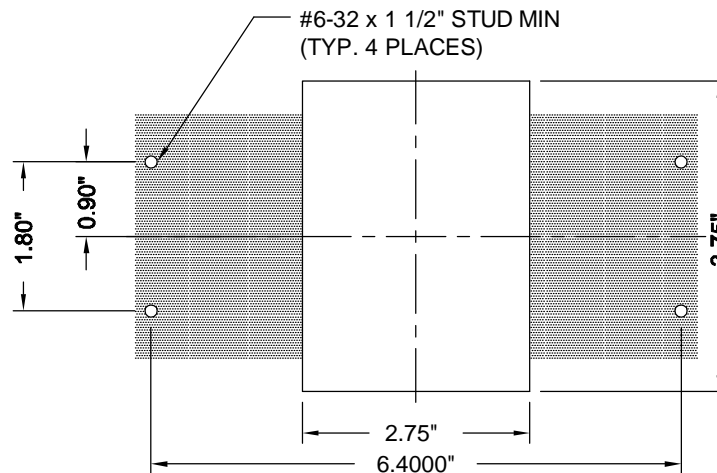
- Low cost design
- Self contained unit
- Latched input
- Self testing
- 13 inputs
- Passing chime output
- Error detection and correction feature
- UL listed

8' CABLE SUPPLIED WITH PLUG-IN CONNECTOR SUPPLIED



3" CHARACTER

**PANEL PREPARATION**



CUTOUT TOLERANCE: +.020  
 -0.0

TO ORDER:-SPECIFY DH130 - R 0 X X X

COLOR:  
 "R" = RED

LENS:  
 "R" = RED  
 "X" = NO LENS

NUMBER OF INPUTS:  
 "0" = 13 INPUT OR LESS

SIGNAL FORMAT:  
 "1" = SINGLE LINE/FLOOR  
 "2" = BINARY  
 "3" = UNITS & TENS  
 "4" = GRAY CODE  
 "5" = INVERTED BINARY  
 "6" = SPECIAL

SIGNAL VOLTAGE:  
 "A" = POSITIVE 6-20VDC, 6-24VAC  
 "B" = POSITIVE 24-48VDC, 24-48VAC  
 "C" = 120VAC  
 "D" = POSITIVE 125VDC  
 "E" = NEGATIVE 6-20VDC  
 "F" = NEGATIVE 24-48VDC  
 "G" = NEGATIVE 125VDC

**NOTE:**

1. If a special voltage is required, please consult factory.